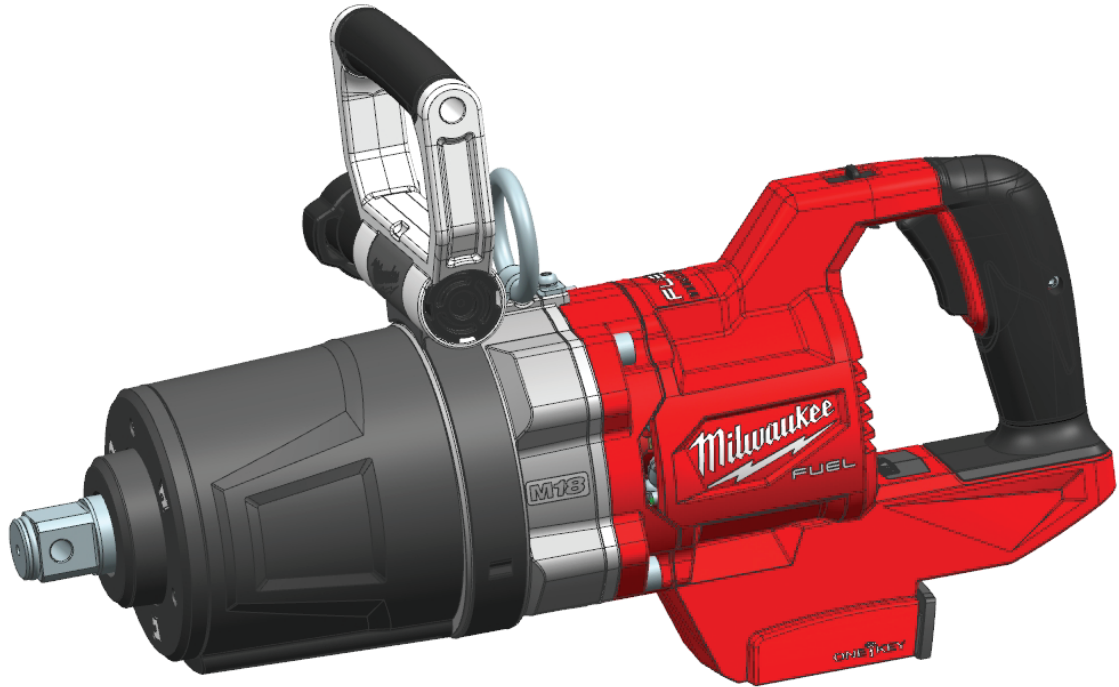




SERVICE PARTS LIST

BULLETIN NO.
54-00-2868

SPECIFY CATALOG NO. AND SERIAL NO. WHEN ORDERING PARTS			REVISED BULLETIN	DATE
M18™ FUEL™ 1" Square Impact Wrenches w/ONE-KEY™				Dec. 2021
CATALOG NO.	2868-20	STARTING SERIAL NO.	WIRING INSTRUCTION	
		L11A & L11B		



SEE PAGE TWO FOR THE REPLACEMENT
OF EXTERNAL SERVICE COMPONENTS

**Due to the complexities of One-Key™ electronics
contact the following for service related questions and issues:**

e-Service at: www.milwaukeetool.com/e-service

or

questions, please call 1.800.SAWDUST (1.800.729.3878)

or

Return it to a MILWAUKEE *factory* Service Center location, freight prepaid and insured.

A copy of the proof of purchase should be included with the return product.

If you have questions please contact Milwaukee Product Service at:

Product Technical Support via phone at: 262.783.8642

or

Via email at: METProductSupport@milwaukeetool.com

Disassembly is not recommended and could void the warranty.



SERVICE PARTS LIST

BULLETIN NO.
54-00-2868

SPECIFY CATALOG NO. AND SERIAL NO. WHEN ORDERING PARTS		REVISED BULLETIN	DATE
M18™ FUEL™ 1" Square Impact Wrenches w/ONE-KEY™			Dec. 2021
CATALOG NO.	2868-20	STARTING SERIAL NO.	L11A & L11B
		WIRING INSTRUCTION	

EXAMPLE:
Component Parts (Small #) Are Included
When Ordering The Assembly (Large #).

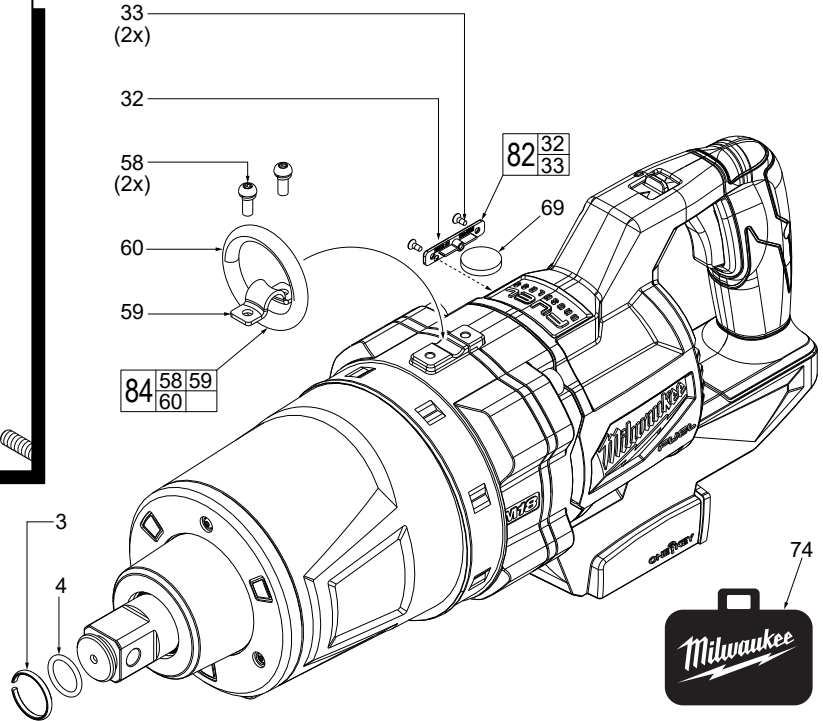
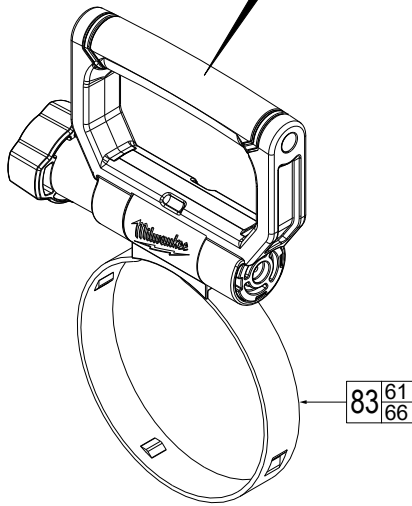
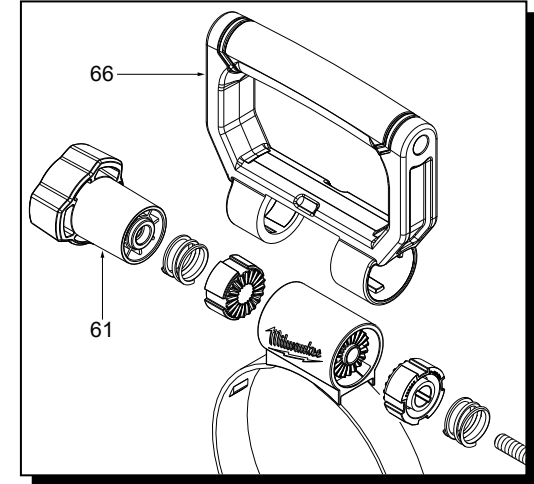


FIG.	PART NO.	DESCRIPTION OF PART	NO. REQ.
3	44-90-9001	C-Ring	(1)
4	34-40-2867	O-Ring	(1)
32	-----	Coin Cell Door	(1)
33	-----	M2.6 x 6mm Flat Hd. Phillips Screw	(2)
58	-----	M5 x 13mm PH T-25 Scr. w/ Washer	(2)
59	-----	Hook Ring Bracket	(1)
60	-----	Hook Ring	(1)
61	45-94-0024	Knob with Insert Nut	(1)
66	43-62-2868	Side Handle Grip	(1)
69	-----	3V Coin Cell Battery (CR2032H)	(1)
72	12-20-2800	Service Nameplate (Not Shown)	(1)
74	42-55-6150	M18 FUEL Tool Bag	(1)
82	14-67-0290	Coin Cell Door Kit	(1)
83	14-34-6000	Side Handle Assembly	(1)
84	14-46-2867	Tether Ring Kit	(1)