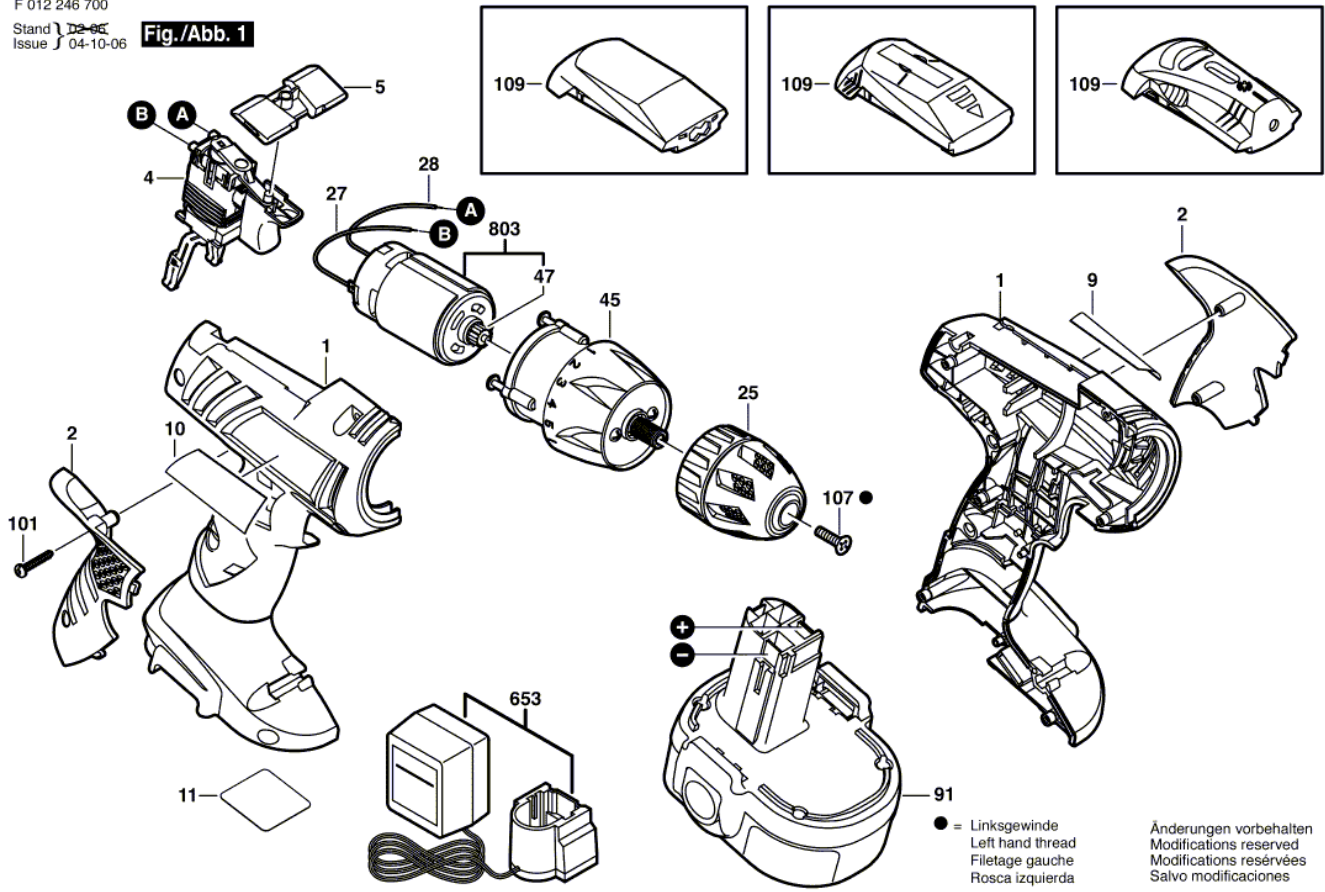


F 012 246 700  
 Stand 12-05  
 Issue J 04-10-06

Fig./Abb. 1



Pos.	Part Number	Description	Pos.	Part Number	Description
1	2 609 100 158	Housing Cover			
2	2 609 100 149	Cap-Handle			
4	2 607 200 465	On-Off Switch			
5	2 609 100 167	Reverse-Transfer Lever			
9	2 609 130 459	Reference Plate			
10	2 609 130 477	Nameplate			
11	2 609 130 462	Plate			
25	1 619 X00 090	Chuck			
27	2 609 120 085	Connecting Cable			
28	2 609 120 086	Connecting Cable			
45	2 609 110 194	Planetary Gear Train			
47	2 609 110 097	Pinion			
91	2 607 335 513	Battery Pack			
101	2 609 110 201	Torx Flat-Head Screw			
107	2 609 110 721	Countersunk-Head Screw			
109	2 609 100 190	Support			
109	2 610 916 434	Metal Detector			
109	2 610 924 650	Spirit Level			
653	2 607 225 367	Charger			
653	2 607 224 995	Charger			
803	2 609 120 031	Alternating-Current Motor			