



SERVICE PARTS LIST

BUL. 54-12-6090

1-1/4" ELECTRIC DRILL

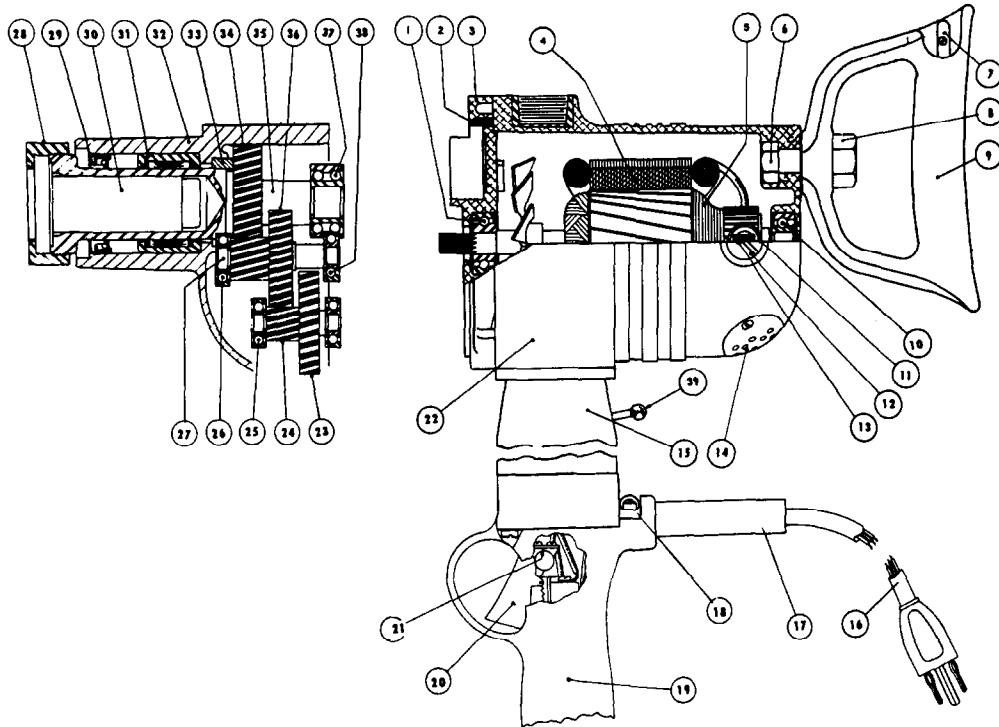
REVISED BUL 6175-1 DATE Feb. '68

Catalog No. 2800-1

Starting Serial No. 175-1001

WIRING INSTR. 58-01-0270

Both Model and Serial No. must be furnished to obtain correct parts.



ILLUSTRATED PARTS

FIG.	PART NO.	DESCRIPTION OF PART	FIG.	PART NO.	DESCRIPTION OF PART
1	02-04-1140	Ball Bearing	20	23-66-0330	Switch
2	45-30-0070	Ball Brg. Retaining Slug (3)	21	42-36-0230	Switch Bracket
3	28-28-1181	Diaphragm	22	28-50-4161	Motor Housing
4	18-82-1070	Field Assembly	23	32-42-1201	1st Intermediate Gear
5	16-82-1231	Armature Assembly	24	36-66-3451	1st Intermediate Pinion Shaft
6	06-75-0850	1/2-13x1-1/2 Spade Handle Bolt (Hex.Hd.)	25	02-04-0910	Ball Bearing (2)
7		Not Used	26	02-04-1210	Ball Bearing
8	06-55-2850	1/2-13 Spade Handle Jam Nut	27	36-66-0571	2nd Intermediate Pinion Shaft
9	28-44-7121	Spade Handle	28	42-52-0050	Taper Socket Cap
10	02-04-1070	Ball Bearing	29	45-06-0080	Spindle Oil Seal
11	22-22-0015	Brush Holder Assembly (2)	30	45-34-0050	Taper Socket
12	23-44-0030	Brush Retaining Screw (2)	31	02-50-9640	Spindle Roller Bearing
13	22-18-0055	Carbon Brush Assembly (2)	32	28-14-0121	Gear Case
14	44-66-0180	Air Intake Cover Plate	33	42-24-0070	Thrust Bearing
15	28-86-1401	Reversing Spacer	34	32-75-1261	Spindle Gear
16	22-64-0070	Cord Set	35	38-50-0701	Spindle
17	23-82-0040	Cord Protector Tube	36	32-44-1281	2nd Intermediate Gear
18	28-17-0200	Cord Clamp	37	02-20-1720	Ball Bearing
19	28-44-9001	Switch Handle	38	02-04-1020	Ball Bearing
			39	23-66-0340	Reversing Switch

MISCELLANEOUS PARTS NOT SHOWN

PART NO.	DESCRIPTION OF PART	PART NO.	DESCRIPTION OF PART
12-98-0900	Name Plate	06-97-2200	Kantlink Lock Washers (2)
06-81-7900	1/4-20x1-1/2 Fil.Hd. Gear Case Scs. Sem (2)	06-97-3800	Kantlink Lock Washers (4)
06-81-1975	1/4-20x2-1/4 Fil.Hd. Gear Case Screws (2)	06-42-1200	Woodruff Key
06-81-1150	10-24x3-1/8 Fil.Hd. Field Screws (2)	06-42-2000	Woodruff Key
06-81-8650	6-32x1/4 Rd.Hd. Switch Mtg. Scs. Sem. (2)	06-42-2400	Woodruff Key
06-81-3400	6-32x1/4 Oval Hd. Switch Bracket Scs. (2)	06-83-2650	1/4-20x3/8 Hd'less Brush Holder Set Scs. (2)
06-81-7900	1/4-20x1-1/2 Fil.Hd. Switch Handle Scs. Sem (4)	06-81-7800	1/4-20x3/4 Fil.Hd. Spacer Screws Sem (4)
06-81-8400	4-40x1/4 Rd.Hd. Sem Name Plate Scrs. (2)	06-81-8650	6-32x1/4 Rd.Hd. Sem Air Intake Pl. Scrs. (2)
06-81-8625	6-32x1/4 Rd.Hd. (Bronze) Ground Scr. (2)	06-81-6150	8-32x1/2 Fil.Hd. Sem Cord Clamp Scr. (2)
06-97-1800	Switch Lock Washer (4)	48-03-0010	Plug Adaptor
43-62-0120	Pipe Handle	23-16-0200	Insulator