

### 28-400 14 IN. STEEL FRAME BAND SAW WITH OPEN STAND

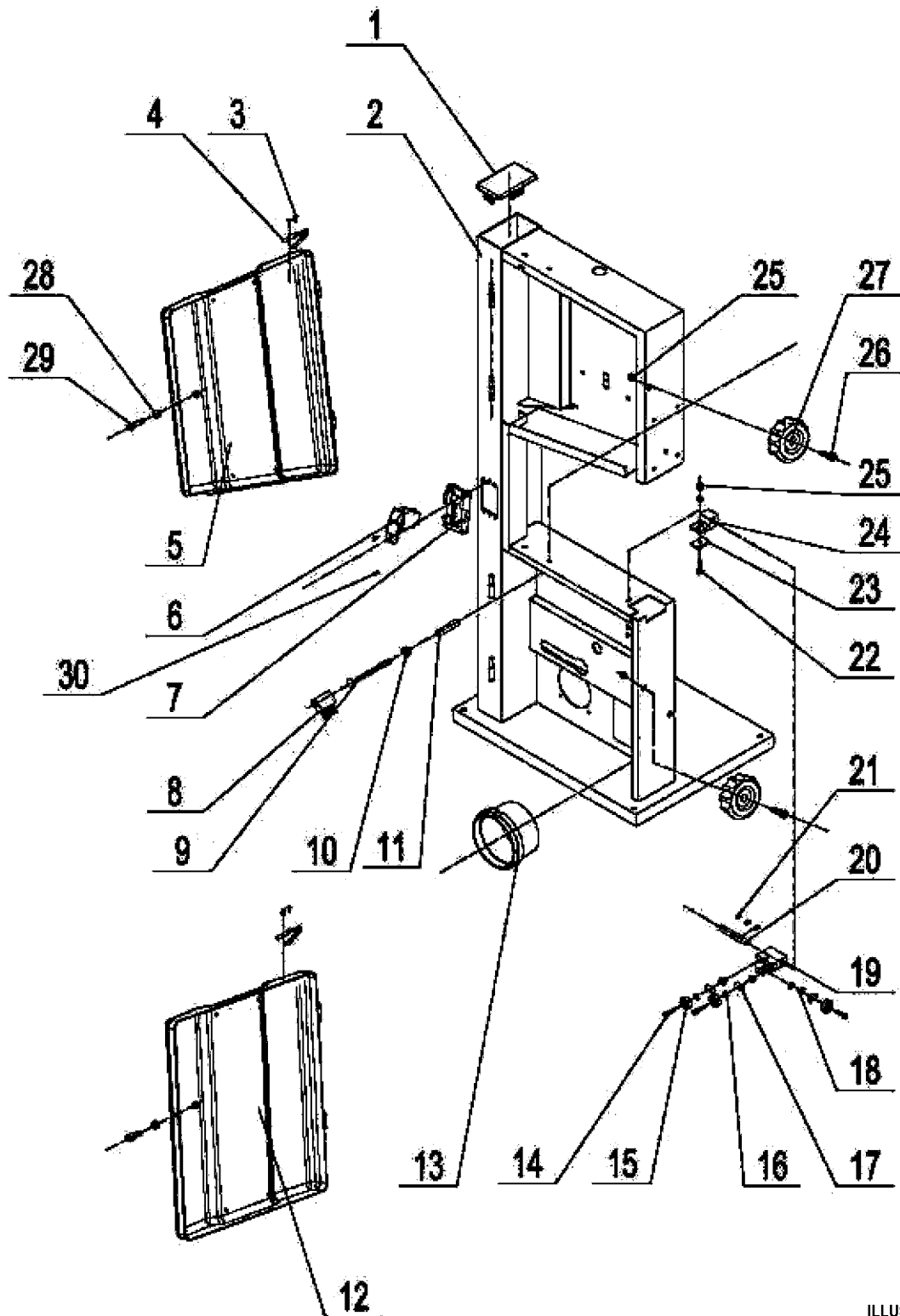


ILLUSTRATION 1

## 28-400 14 IN. STEEL FRAME BAND SAW WITH OPEN STAND

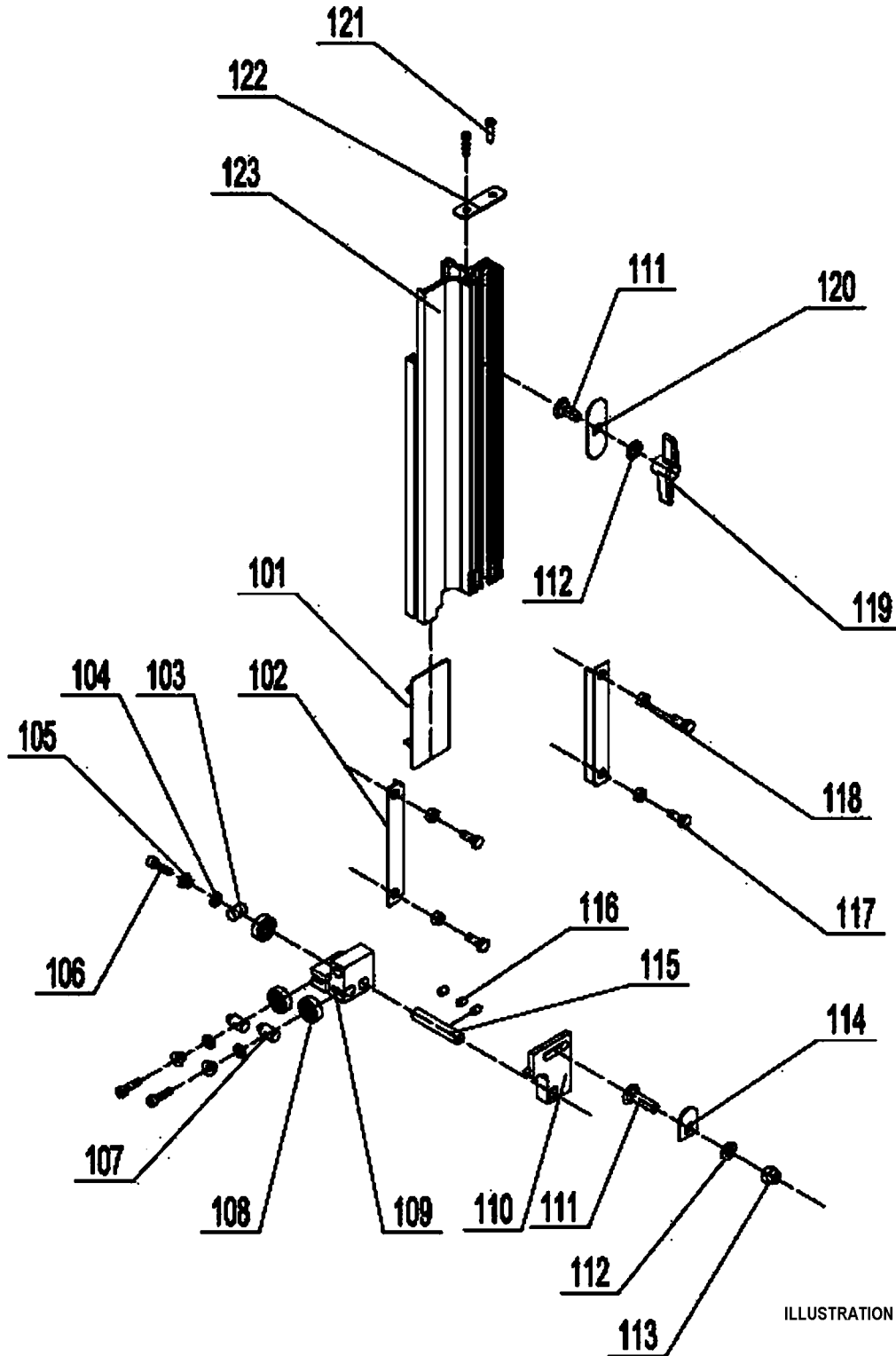


ILLUSTRATION 5

### 28-400 14 IN. STEEL FRAME BAND SAW WITH OPEN STAND

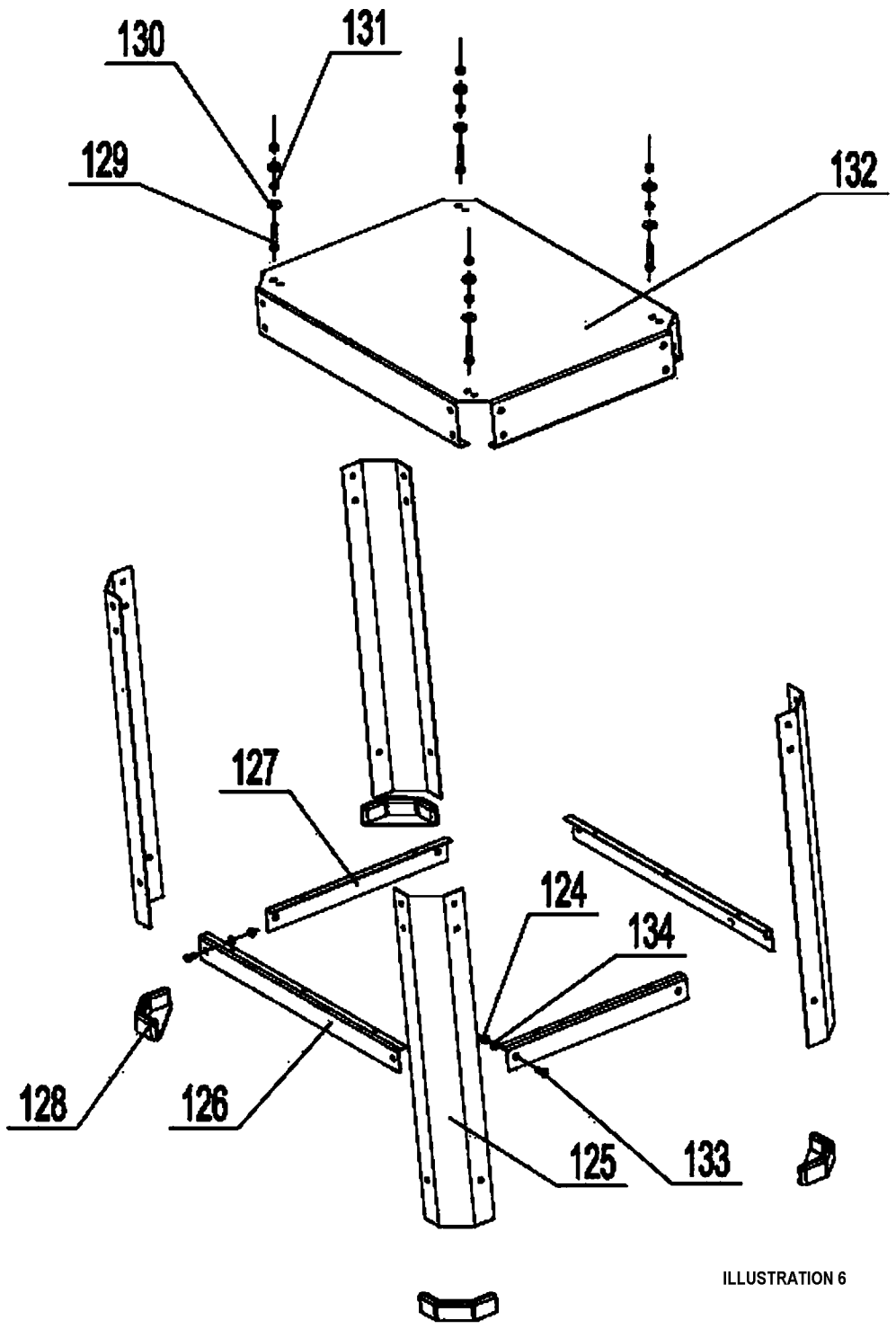


ILLUSTRATION 6

28-400 14 IN. STEEL FRAME BAND SAW WITH OPEN STAND

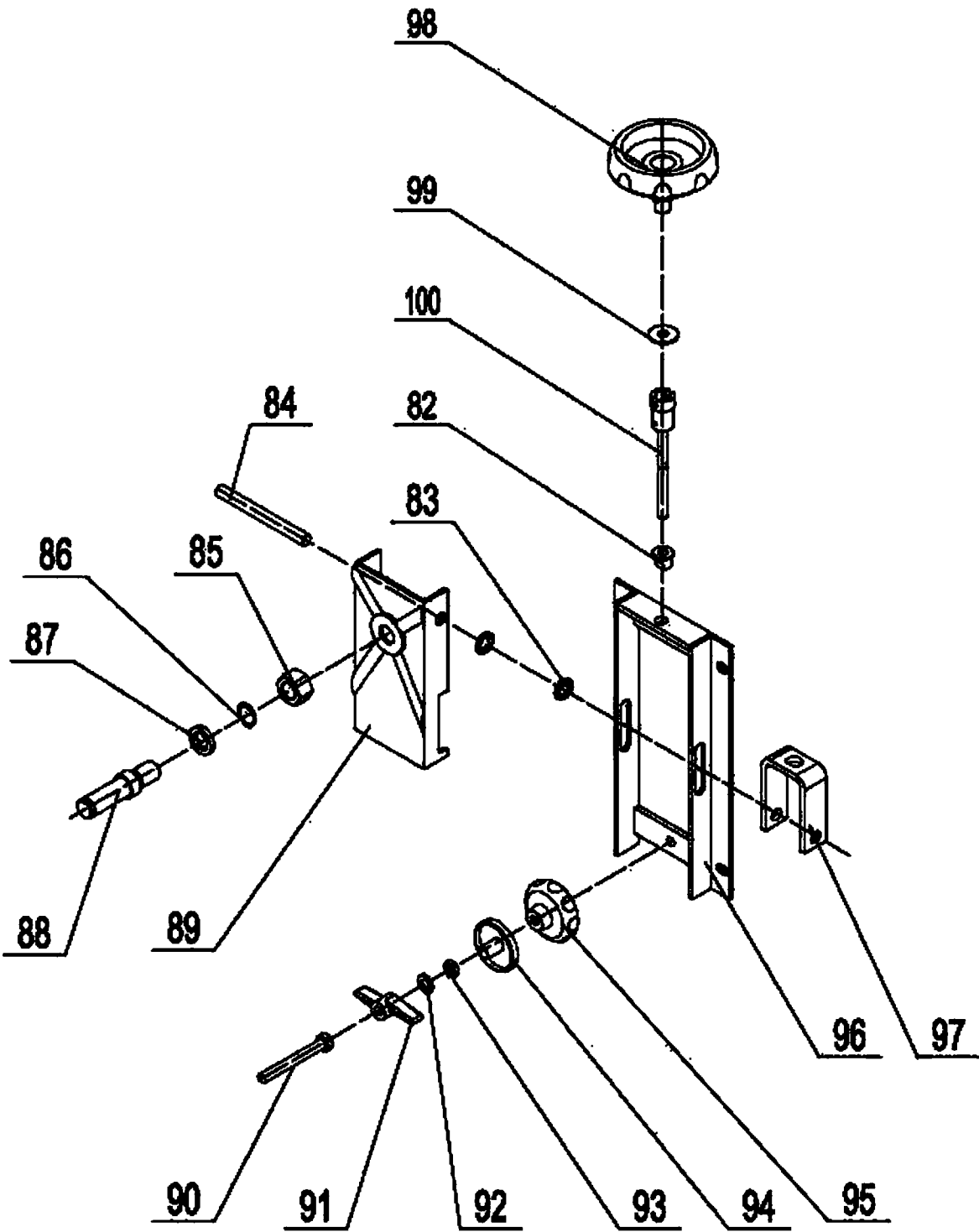


ILLUSTRATION 4

### 28-400 14 IN. STEEL FRAME BAND SAW WITH OPEN STAND

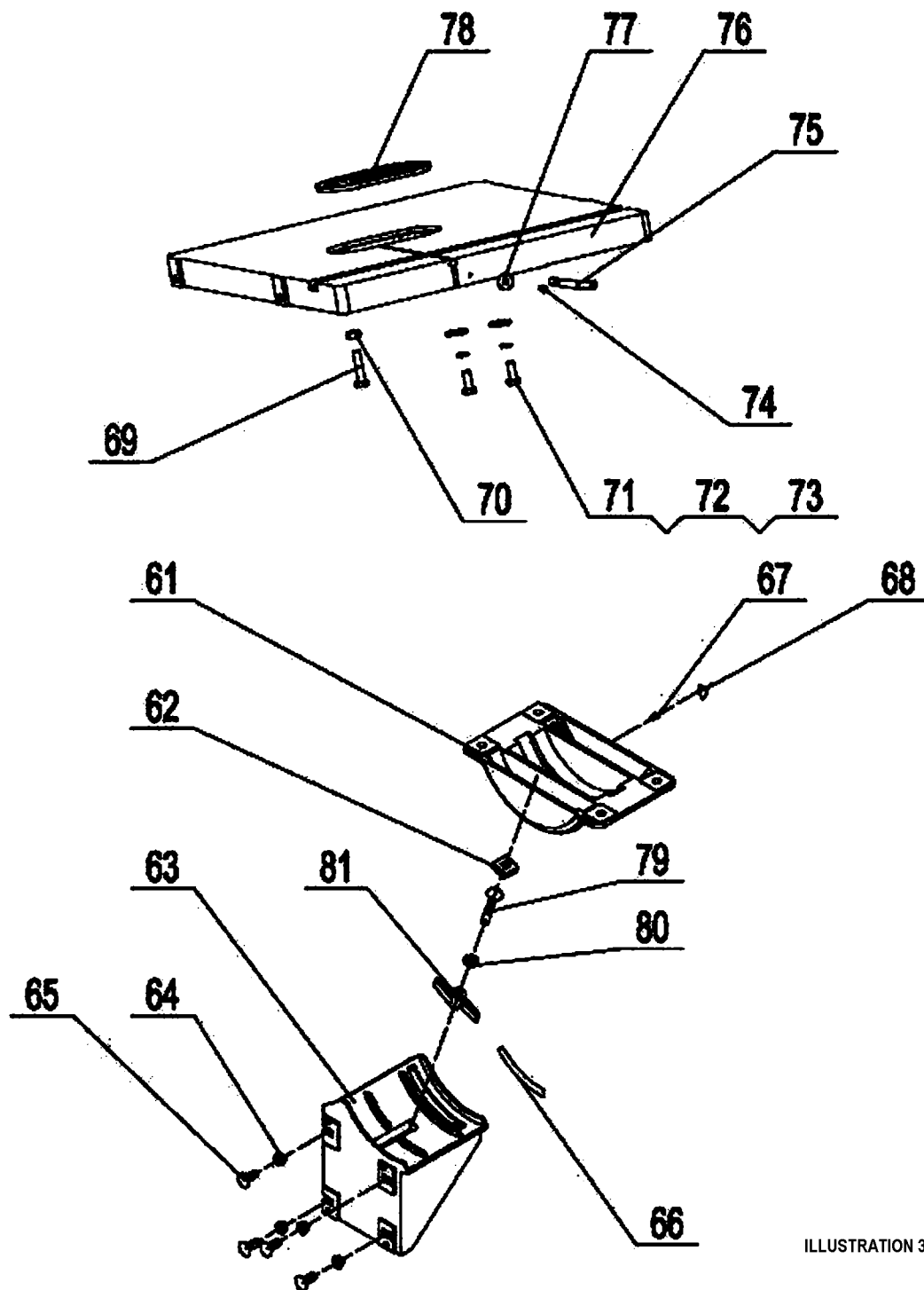


ILLUSTRATION 3

### 28-400 14 IN. STEEL FRAME BAND SAW WITH OPEN STAND

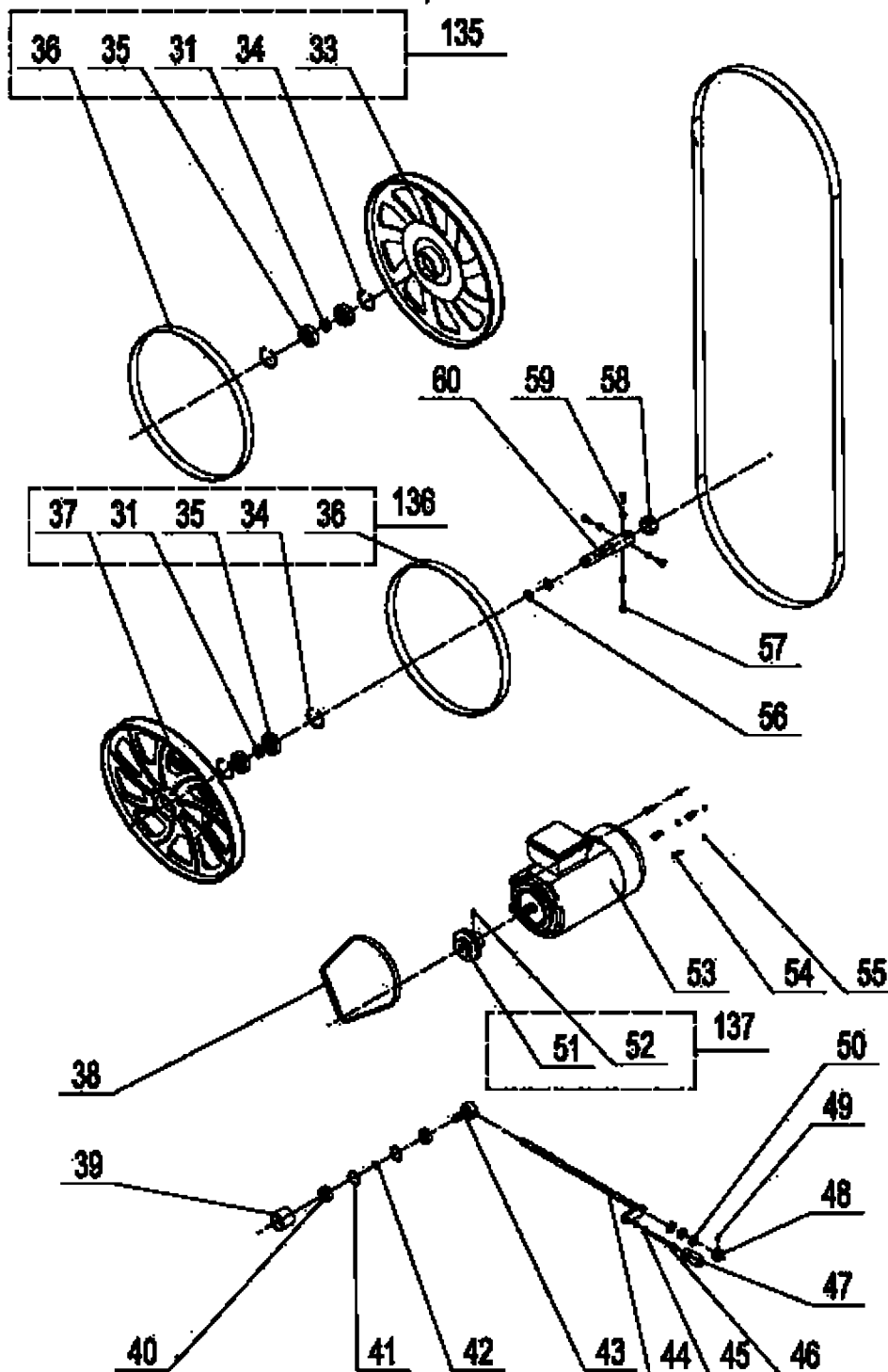


ILLUSTRATION 2

## Parts List for 28-400 Type 1

Item Number	Part Number	Description	Qty Required
1	DPEC001385	TOP PLUG	1
2	DPEC001386	FRAME	1
3	DPEC001387	RIVET	4
4	DPEC001388	LEAF SPRING	2
5	DPEC001389	UPPER DOOR	1
6	DPEC001390	SWITCH	1
7	DPEC001391	SWITCH COVER	1
8	DPEC001392	BRUSH	1
9	DPEC001393	CARRIAGE BOLT	1
10	DPEC001394	FLANGE NUT	1
11	DPEC001395	TUBE	1
12	DPEC001396	LOWER DOOR	1
13	DPEC001397	DUST PORT	1
14	DPEC001398	HEX SOC HD SCR	3
15	DPEC001399	BEARING	3
16	DPEC001400	WASHER	4
17	DPEC001401	MICRO ADJUST. KNOB	3
18	DPEC001402	BEARING MOUNT CYL.	3
19	DPEC001403	UPPER GUIDE BODY	1
20	DPEC001404	LOWER GUIDE SHAFT	1
21	DPEC001405	HEX SOC HD SCR	3
22	DPEC001407	HEX BOLT	1
23	DPEC001408	LOWER GUIDE MT SEAT	1
24	DPEC001406	LOWER GUIDE MOUNT	1
25	DPEC001409	LOCK NUT	5
26	DPEC001410	HEX SOC HD SCR	2
27	DPEC001411	ADJUSTING KNOB BODY	2

## Parts List for 28-400 Type 1

Item Number	Part Number	Description	Qty Required
28	DPEC001412	LOCK HOUSING	4
29	DPEC001413	HEX SOC HD SCR	2
30	DPEC001414	SCREW	4
31	DPEC001415	SLEEVE BEARING	1
33	DPEC001417	UPPER WHEEL	1
34	DPEC001418	RETAINER RING	4
35	DPEC001419	BALL BEARING	4
36	DPEC001420	TIRE	2
37	DPEC001421	LOWER WHEEL	1
38	DPEC001422	DRIVE BELT	1
39	DPEC001423	TENSION WHEEL	1
40	DPEC001424	BEARING	2
41	DPEC001425	RETAINER RING	2
42	DPEC001426	RETAINING RING	1
43	DPEC001427	TENSION SHAFT	1
44	DPEC001428	BELT TENS. CRANK ARM	1
45	DPEC001429	HEX NUT	2
46	DPEC001430	PAN HEAD SCREW	1
47	DPEC001431	CRANK HANDLE	1
48	DPEC001432	LOCK RING	1
49	DPEC001433	CONE POINT SCREW	1
50	DPEC001434	WASHER	3
51	DPEC001435	MOTOR PULLEY	1
52	DPEC001436	HEX SOC HD SCR	1
53	DPEC001437	MOTOR	1
54	DPEC001438	HEX BOLT	4
55	DPEC001439	SPRING WASHER	4



## Parts List for 28-400 Type 1

Item Number	Part Number	Description	Qty Required
56	DPEC001440	RETAINING RING	2
57	DPEC001441	HEX NUT	4
58	DPEC001442	HEX SCREW	1
59	DPEC001443	NUT	4
60	DPEC001444	LOWER WHEEL SHAFT	1
61	DPEC001445	UPPER TABLE TRUNNION	1
62	DPEC001446	GLIDE PIECE	1
63	DPEC001447	LOWER TABLE TRUNNION	1
64	DPEC001448	FLANGE NUT	4
65	DPEC001449	CARRIAGE BOLT	4
66	DPEC001450	TILT SCALE	1
67	DPEC001451	TAPPING SCREW	1
68	DPEC001452	INDICATOR	1
69	DPEC001453	HEX BOLT	1
70	DPEC001454	HEX NUT	1
71	DPEC001455	HEX BOLT	4
72	DPEC001456	SPRING WASHER	4
73	DPEC001457	WASHER	4
74	DPEC001458	SCREW	1
75	DPEC001459	SLOT PIN ASSEMBLY	1
76	DPEC001460	TABLE	1
77	DPEC001461	WASHER	1
78	DPEC001462	TABLE INSERT	1
79	DPEC001463	CARRIAGE BOLT	1
80	DPEC001464	SLIDING BLOCK	1
81	DPEC001465	WING NUT	1
82	DPEC001466	TENSION NUT	1

## Parts List for 28-400 Type 1

Item Number	Part Number	Description	Qty Required
83	DPEC001467	CIRCLIP	2
84	DPEC001468	MOUNTING SHAFT	1
85	DPEC001469	HEX NUT	1
86	DPEC001470	CIRCLIP SPRING RING	1
87	DPEC001471	SPRING WASHER	1
88	DPEC001472	UPPER BEARING BOLT	1
89	DPEC001473	WHEEL CARRIER BRKT.	1
90	DPEC001474	HEX BOLT	1
91	DPEC001475	WING NUT	1
92	DPEC001476	WASHER	1
93	DPEC001477	NUT	1
94	DPEC001478	ADJUSTING KNOB	1
95	DPEC001479	ADJUSTING KNOB	1
96	DPEC001480	TENSION BRACKET	1
97	DPEC001481	BRACKET	1
98	DPEC001482	KNOB	1
99	DPEC001483	WASHER	1
100	DPEC001484	BLADE TENSIONER	1
101	DPEC001485	SLIDER	1
102	DPEC001486	BOLT GUIDE	2
103	DPEC001487	MICRO-ADJ. SHAFT R	1
104	DPEC001488	WASHER	3
105	DPEC001489	BEARING MOUNT CYL.	3
106	DPEC001490	HEX SOC HD SCR	3
107	DPEC001491	MICRO-ADJ. SHAFT	2
108	DPEC001492	BEARING	3
109	DPEC001493	UPPER GUIDE BODY	1

## Parts List for 28-400 Type 1

Item Number	Part Number	Description	Qty Required
110	DPEC001494	UPPER GUIDE	1
111	DPEC001495	CARRIAGE BOLT	2
112	DPEC001498	WASHER	2
113	DPEC001499	LOCK NUT	1
114	DPEC001500	SPECIAL WASHER	1
115	DPEC001496	UPPER GUIDE	1
116	DPEC001497	HEX SOC HD SCR	3
117	DPEC001501	HEX BOLT	4
118	DPEC001502	NUT	4
119	DPEC001503	WING KNOB	1
120	DPEC001504	WASHER	1
121	DPEC001505	TAPPING SCREW	2
122	DPEC001506	PLATE	1
123	DPEC001507	BLADE GUIDE	1
124	DPEC001508	HEX NUT	24
125	DPEC001509	LEG	4
126	DPEC001510	FRONT BEAM	2
127	DPEC001511	SIDE BEAM	2
128	DPEC001512	RUBBER FOOT	4
129	DPEC002233	HEX BOLT	4
130	DPEC002234	WASHER	8
131	DPEC002235	NUT	8
132	DPEC002236	UPPER FRAME	1
133	DPEC002237	CARRIAGE BOLT	24
134	DPEC002238	WASHER	24
135	DPEC002239	UPPER WHEEL ASSY	1
136	DPEC002240	LOWER WHEEL ASSY	1

## Parts List for 28-400 Type 1

Item Number	Part Number	Description	Qty Required
137	DPEC002241	MOTOR PULLEY ASSY	1