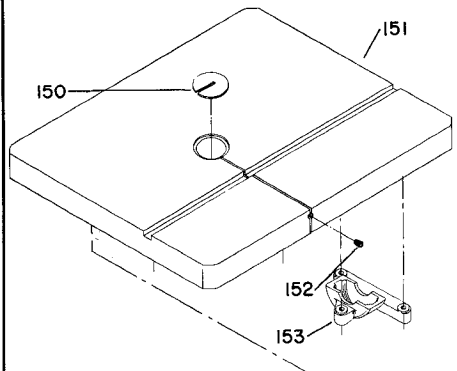
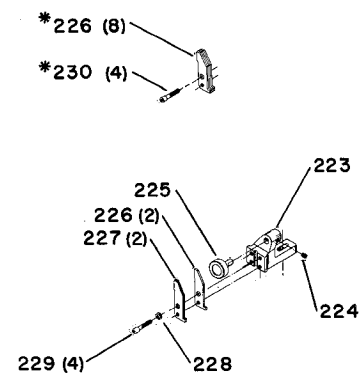


\* NOT ASSEMBLED WITH BASIC MACHINE

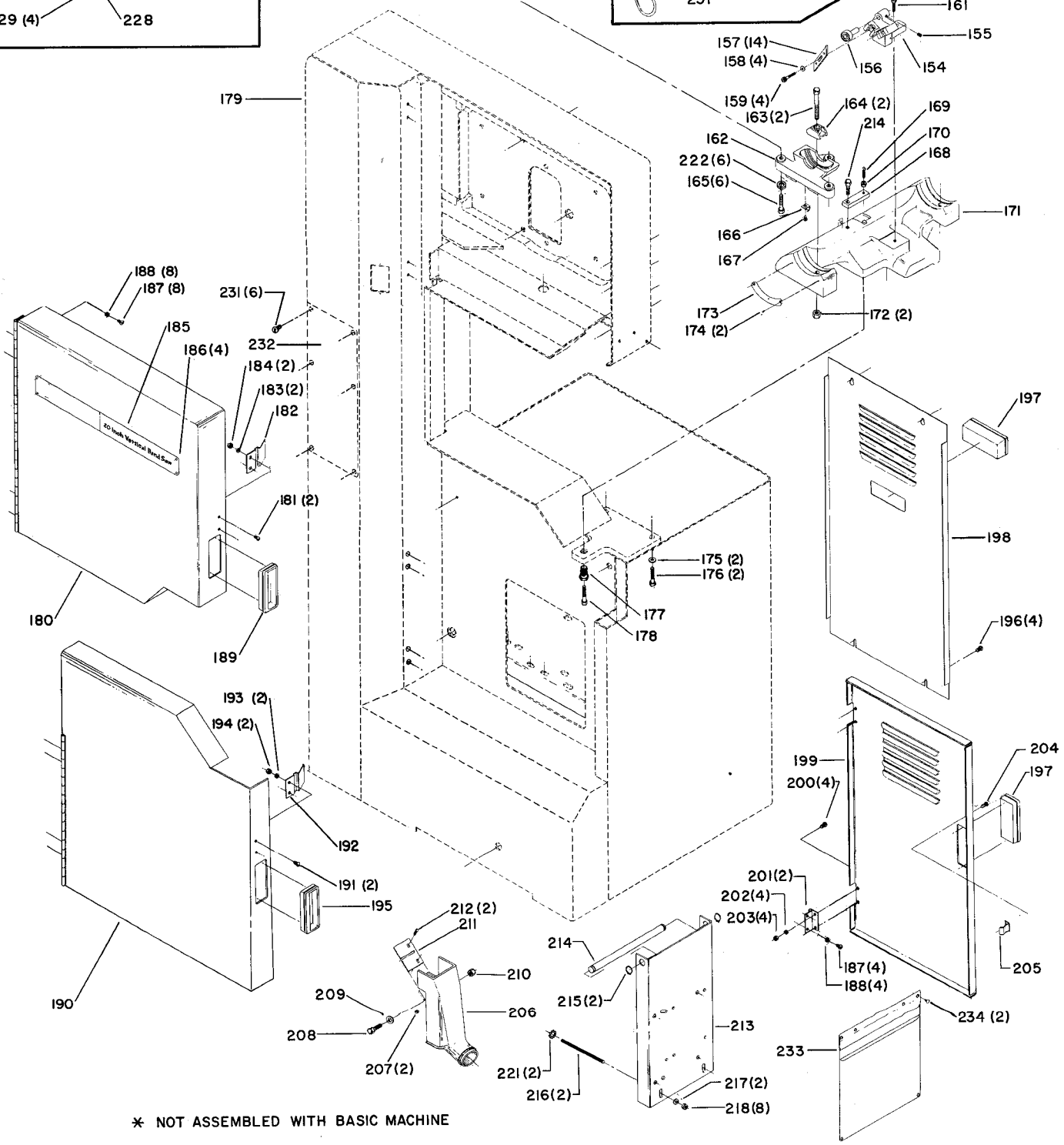
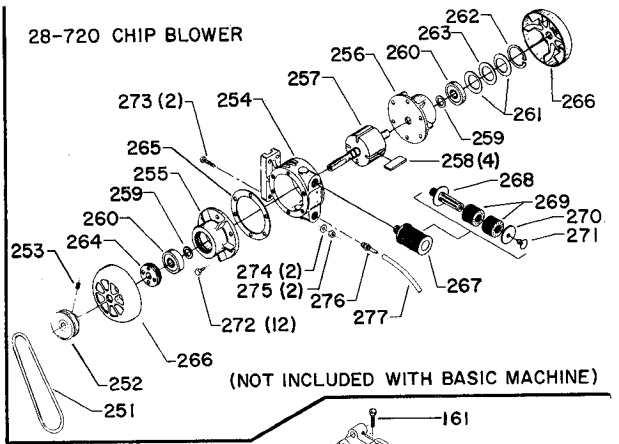
# Replacement Parts

Ref. No.	Part No.	Description	Ref. No.	Part No.	Description
**	426-05-355-5008	Upper Blade Guide (Current Models Only, See Note A) Const. Of:	72	426-04-400-5002	Lower Wheel, Incl:
1	901-03-010-0760	1/4-20 X 1-1/4" Hex Soc. Cap Scr.	73	901-01-060-0623	1/4-20 X 1" Hex Hd. Scr.
2	904-01-010-1617	Washer	74	904-02-020-1702	1/4" Split Washer
3	1203002	Plate	75	901-04-150-1133	1/2-20 X 3/4" Soc. Set Scr.
4	426-05-014-5036	Bracket	76	426-04-094-5002	Tire
5	426-05-380-5001	Roller Ass'y.	77	426-04-015-5003	Brake Drum
6	901-04-150-0206	5/16-18 X 5/16" Soc. Hd. Set Scr.	**	426-04-358-5001	Lower Wheel Headstock, Const. Of:
	426-05-354-5002	Blade Guard, Incl:	78	426-04-079-5005	Bearing Locknut
10 n	904-03-020-1775	#10 Lockwasher	79	426-04-079-5004	Spanner Nut
11	902-01-120-1203	10-32 Hex Nut	80	920-08-020-5340	Bearing
12	901-02-010-7562	10-32 x 5/16 Scr.	81	426-04-058-5002	Headstock
13 n	901-02-010-0558	8-32 x 1/4 Rd. Hd. Scr.	82	426-04-106-5006	Shaft
14	426-05-014-5020	Guard Brkt.	83	920-08-020-5339	Bearing
15	901-01-060-0649	5/16-18 X 1" Hex Hd. Scr.	84	426-04-079-5006	Spec. Jam Nut
16	901-02-010-0558	8-32 X 1/4" Rd. Hd. Scr.	85	904-01-010-1615	13/32 X 13/16 X 1/16" Washer
17	1200464	Finger Guard	86	901-01-060-0648	3/8-16 X 1-1/4" Hex Hd. Scr.
18	1200465	Finger Guard Brkt.	87	904-01-010-1606	7/16 X 1 X 5/64" Washer
19	904-03-030-1795	Shake Proof Lockwasher	88	902-01-040-1026	3/8-16 Hex Nut
20	902-01-120-1203	10-32 Hex Nut	89	901-01-060-0646	3/8-16 X 2" Hex Hd. Cap Scr.
21	901-02-140-0584	10-32 X 3/8" Binding Hd. Scr.	90	904-01-010-1606	7/16 X 1 X 5/64" Washer
22	904-01-010-1609	13/64 X 7/16 X 1/16" Washer	91	426-04-112-5001	Threaded Bushing
23	901-02-140-0584	10-32 X 3/8" Binding Hd. Scr.	92	927-03-010-2653	1/4 X 1/4 X 1-15/16" Key
24	426-04-110-5003	Guide Post	93	927-03-010-2620	1/4 X 1/4 X 1-1/2" Key
25	426-04-014-5011	Guide Post Brkt.	94	1201866	2 Step Drive Pulley, Incl:
26	901-02-010-0593	10-24 X 3/8" Rd. Hd. Scr.	95	901-04-150-6202	5/16-18 X 3/8" Set Scr.
27	904-01-010-1615	13/32 X 3/16 X 1/16" Lockwasher	96	49-132	V-Belt
28	901-01-060-3102	3/8-16 X 3/4" Hex Hd. Scr.	97	1201865	Motor Pulley, Incl:
29	426-04-074-5002	Plug	98	901-04-150-1185	1/4-20 X 5/16" Soc. Set Scr.
30	928-01-041-3361	Spring	97	426-04-430-5001	Motor Pulley (1-1/8" Bore) Incl:
31	426-04-112-5002	Clamp Scr.	98	901-04-150-1185	1/4-20 X 5/16" Soc. Set Scr.
32	931-04-010-3635	Clamp Handle	99	926-01-042-5514	Lo Speed Drive Pulley
33	901-02-120-7528	1/4-20 X 1/2" Truss Hd. Scr.	100	901-04-150-6202	5/16-18 X 3/8" Set Scr.
34	426-04-112-5001	Treaded Bushing	101	926-05-022-5507	High Speed Drive Pulley
35	901-01-060-0617	3/8-16 X 1-1/2" Hex Hd. Scr.	102	901-04-150-6202	5/16-18 X 3/8" Set Scr.
36	426-04-400-5001	Up. Wheel, Incl:	103	49-132	Lo Speed Belt
37	426-04-094-5002	Tire	104	49-131	High Speed Belt
38	901-04-150-1133	1/2-20 X 3/4" Soc. Set Scr.	105	41-707	Motor Pulley (7/8" Bore) Incl:
**	426-05-358-5002	Up. Wheel Headstock, Const. Of:	106	901-04-150-0202	1/4-20 X 1/2" Hex Soc. Set Scr.
39	426-05-106-5005	Shaft	105	41-707	Motor Pulley (1 7/8" Bore) Incl:
40	406-03-079-0001	Bearing Nut	106	901-04-150-0202	1/4-20 X 1/2" Hex Soc. Set Scr.
41	920-04-020-5383	Bearing	107	426-04-014-5003	Bracket
42	426-04-079-5006	Spec. Jam Nut	108	901-01-060-0648	3/8-16 X 1-1/4" Hex Hd. Scr.
43	426-05-058-5002	Headstock	109	426-04-106-5001	Steel Pin
44	920-08-020-5336	Bearing	110	905-05-040-2101	3/32 X 5/8" Cotter Pin
45	902-01-201-2558	Spec. Hex Nut	111	928-05-001-5878	Spring Washer
46	901-11-010-2371	3/8-16 X 2-1/2" Sq. Hd. Bolt	112	426-04-079-5007	Retainer
47	904-01-010-1606	7/16 X 1 X 5/64" Washer	113	904-01-010-1615	13/32 X 13/16 X 1/16" Washer
48	928-01-041-4148	Spring	114	904-02-020-1704	3/8" Split Lockwasher
49	426-04-052-5001	Gib	115	902-02-040-1307	3/8"-16 Sq. Nut
50	904-02-020-1704	3/8" Split Lockwasher	116	426-04-315-5001	Brake Shoe w/Lining
51	901-01-060-0642	3/8-16 X 1" Hex Hd. Scr.	117	902-01-040-1005	3/8"-16 Hex Jam Nut
52	426-04-072-5009	Tension Scale	118	904-01-010-1606	7/16 X 1 X 5/64" Washer
53	901-02-010-0567	6-32 X 1/4" Rd.Hd. Scr.	119	426-04-108-5003	Brake Rod
54	426-05-084-5002	Slide	120	904-01-010-1606	7/16 X 1 X 5/64" Washer
55	901-04-530-6149	1/2-13 X 1-15/16" Soc. Set Scr.	121	928-01-301-8880	Spring
56	902-01-020-1266	1/2-13 Hex Jam Nut	122	904-01-010-1606	7/16 X 1 X 3/64" Washer
57	904-01-010-1606	7/16 X 1 X 5/64" Washer	123	426-04-067-5002	Treadle
58	426-05-409-5001	Extension Incl:	124	901-04-020-0345	1/2-13 X 5/8" Sq. Hd. Scr.
59	905-01-010-2704	1/8 X 3/4" Roll Pin	125	426-04-017-5001	Brass Bushing
60	426-04-072-5007	Slide Plate	126	905-05-040-2107	Cotter Pin
61	904-02-020-1705	1/2" Split Lockwasher	127	426-04-067-5001	Brake Lever
62	901-01-060-0628	1/2-13 X 1" Hex Hd. Scr.	128	901-04-150-0210	1/2-13 X 1/2" Soc. Set Scr.
63	928-01-041-4149	Spring	129	426-04-106-5008	Shaft
64	951-01-011-3992	Pointer	130	904-10-021-2096	Set Collar
65	426-04-074-5001	Plug	131	901-04-150-0206	5/16-18 X 5/16" Hex Soc. Set Scr.
66	901-01-060-0617	3/8-16 X 1-1/2" Hex Hd. Scr.	**		Upper Blade Guide (Early Model Only, See Note A) Const. Of:
67	426-04-112-5001	Treaded Bushing	132	901-03-010-0762	5/16-18 X 5/8" Soc. Hd. Cap Scr.
68	952-01-121-3268	Tension Screw (Early Model) Threads One End Only	133	904-01-031-2926	Washer
		Tension Screw (Current Model) Threads Both Ends	134	426-05-072-5021	Plate
68	1201927	1/8 X 5/8" Roll Pin (Current Model Only)	135	426-05-072-5020	Plate
		Handwheel (Current Model)	136	426-05-014-5021	Bracket
70	422-02-100-2001	Knob Ass'y., (Early Model), Incl:	137	1202640	Bearing Ass'y.
70A	901-04-150-0206	5/16-18 X 5/16" Soc. Set Scr.	138	901-04-150-0206	5/16-18 X 5/16" Soc. Hd. Set Scr.
71	902-01-010-5900	3/8-16 Hex Nut (Current Models Only)	139	901-03-010-0770	5/16-18 X 1-1/4" Soc. Hd. Cap Scr.
		**			NOT SHOWN ASSEMBLED

EARLY MODEL BLADE GUIDE



28-720 CHIP BLOWER



\* NOT ASSEMBLED WITH BASIC MACHINE

# Replacement Parts

Ref. No.	Part No.	Description	Ref. No.	Part No.	Description
150	426-04-063-5001	Table Insert	206	426-04-026-5001	Dust Spout
151	426-04-091-5002	Table	207	902-01-120-1203	10-32 Hex Nut
152	906-00-000-2438	1/8" Hex Soc. Pipe Plug	208	901-01-060-0648	3/8-16 X 1-1/4" Hex Hd. Scr.
153	426-04-095-5002	Rear Trunnion	209	904-01-010-1615	13/32 X 13/16 X 1/16" Washer
**	426-05-355-5008	Lower Blade Guide (Current Models Only, See Note A), Const. Of:	210	902-01-040-1026	3/8-16 Hex Nut
154	426-05-014-5036	Bracket	211	426-04-036-5001	Deflector
155	901-04-150-0206	5/16-18 X 5/16" Soc. Set Scr.	212	901-02-010-0559	10-32 X 1/2" Rd. Hd. Scr.
156	426-05-380-5001	Roller Ass'y.	213	426-05-072-5028	Motor Plate
157	1203002	Plate	214	426-05-106-5012	Motor Plate Shaft
158	904-01-010-1617	Washer	215	904-15-010-7008	Retaining Ring
159	901-03-010-0760	1/4-20 X 1-1/4" Hex Soc. Cap Scr.	216	1202596	5/16-18 Stud
161	901-01-060-0649	5/16-18 X 1" Hex Hd. Scr.	217	904-02-010-1703	5/16" Lockwasher
162	426-04-095-5001	Front Trunnion	218	902-01-020-5435	5/16"-18 Hex Nut
163	901-01-060-0632	7/16-14 X 2-3/4" Hex Hd. Scr.	221	904-03-030-1756	Tooth Lockwasher
164	426-02-027-0001	Table Clamp	222	904-02-020-1704	3/8" Lockwasher
165	901-01-060-0617	3/8-16 X 1-1/2" Hex Hd. Scr.	**		Lower Blade Guide (Early Models Only, See Note A) Const. Of:
166	402-05-075-5001	Pointer	223	426-05-014-5018	Bracket
167	901-02-010-0502	1/4-20 X 1/4" Rd. Hd. Scr.	224	901-04-150-0206	5/16-18 X 5/16" Soc. Set Scr.
168	426-04-004-5003	Bar	225	1202640	Bearing Ass'y.
169	901-04-020-0306	1/4-20 X 3/4" Sq. Hd. Set Scr.	226	426-05-072-5020	Plate
170	902-01-120-1034	1/4"-20 Hex Nut	227	426-05-072-5021	Plate
171	426-04-014-5012	Bracket	228	904-01-031-2626	Washer
172	902-01-040-1004	7/16"-14 Hex Nut	229	901-03-010-0762	5/16-18 X 5/8" Hex Soc. Cap Scr.
173	426-05-072-5032	Scale	230	901-03-010-0770	5/16-18 X 1-1/4" Soc. Hd. Cap Scr.
174	901-06-450-2252	2 X 3/16" Drive Scr.	231	901-02-010-0502	1/4 - 20 x 1/4 Rd. Hd. Scr.
175	904-01-010-1615	13/32 X 13/16 X 1/16" Washer	232	426-05-031-5007	Cover
176	901-01-060-0648	3/8-16 X 1-1/4" Hex Hd. Scr.	233	400-06-603-0001	Envelope
177	426-04-112-5001	Threaded Bushing	234	400-06-079-0001	Retainer
178	901-01-060-0617	3/8-16 X 1-1/2" Hex Hd. Scr.			
179	426-04-349-5004	Frame Ass'y. (Early Models Only, Prior to S/N 173-5645)	**	28-720	Chip Blower, Const. of:
179	426-04-349-5005	Frame Ass'y. (Current Models Only, Beginning with S/N 173-5645)	*	426-05-361-5001	Hose Ass'y. (Spout w/Nozzle)
180	426-05-331-5003	Upper Door, Incl:	251	908-13-061-7669	O-Ring
181	901-02-010-0561	10-32 X 3/8" Rd. Hd. Mach. Scr.	252	41-052	Pulley, Incl.:
182	426-05-068-5001	Latch	253	901-04-150-0206	5/16-18 x 5/16" Soc. Set Screw
183	904-03-020-1775	10-Internal Tooth Lockwasher	254 n	426-05-012-5005	Body
184	902-01-120-1203	10-32 Hex Nut	255 n	426-05-072-5035	L. H. End Plate
185	Nameplate	By Request Only	256 n	426-05-072-5034	R. H. End Plate
186	901-06-450-2250	4 X 3/16" Drive Screw	257 n	426-05-002-5001	Arbor
187	901-02-140-0584	10-32 X 3/8" Bind. Hd. Scr.	258 n	426-05-063-5009	Insert
188	904-03-020-1775	10-Internal Tooth Lockwasher	259 n	426-05-036-5001	Deflector
189	426-05-063-5006	Insert Handle	260	920-04-010-7267	Bearing
190	426-05-331-5005	Lower Door (Early Models Only, Prior to S/N 173-5645) Incl:	261 n	426-05-122-5001	Spring
190	426-05-331-5012	Lower Door (Current Models Only, Beginning with S/N 173-5645) Incl:	262	904-15-101-7147	Retaining Ring
191	901-02-010-0561	10-32 X 3/8" Rd. Hd. Mach. Scr.	263 n	426-05-083-5001	Shim Washer
192	426-05-068-5001	Latch	264 n	426-05-020-5001	Cap
193	904-03-020-1775	10-Internal Tooth Lockwasher	265 n	426-05-116-5003	Gasket
194	902-01-120-1203	10-32 Hex Nut	266 n	438-01-033-0012	Fan
195	426-05-063-5006	Insert Handle	267 n	426-05-346-5003	Filter Ass'y., Const. of:
196	901-02-140-0584	10-32 X 3/8" Bind. Hd. Scr.	268 n	426-05-012-5006	Body
197	426-05-063-5006	Insert Handle	269 n	426-05-046-5002	Filter
198	426-05-031-5018	Rear Cover (Current Model)	270 n	426-05-020-5002	Cap
199	426-05-331-5006	Rear Door (Early Models Only), Incl:	271 n	426-05-079-5013	Retainer
200	901-02-140-0584	10-32 X 3/8" Bind. Hd. Scr.	272	901-01-060-0651	1/4-28 x 1/2" Hex Hd. Screw
201	961-04-021-5001	Hinge	273	901-01-060-0623	1/4-20 x 1" Hex Hd. Screw
202	904-03-020-1775	Lockwasher	274	904-01-010-1604	1/4" Washer
203	902-01-120-1203	10-32 Hex Nut	275	902-01-120-1034	1/4"-20 Hex Nut
204	901-05-131-7351	12 X 1/2" Rd. Hd. Scr.	276	906-00-000-8720	Hose Fitting
205	961-04-042-3110	Spring Catch	277	426-05-061-5001	Hose
			*	Not Shown	
			**	NOT SHOWN ASSEMBLED	

NOTE: A - All Units After Serial Number 174-0455 Incorporate A New Blade Guide Assembly (426-05-355-5008). This Current Assembly will Replace Either The Early Model Upper Or Early Model Lower Blade Guides. The Current Guide Assembly Is Completely Interchangeable With The Early Model Guides.