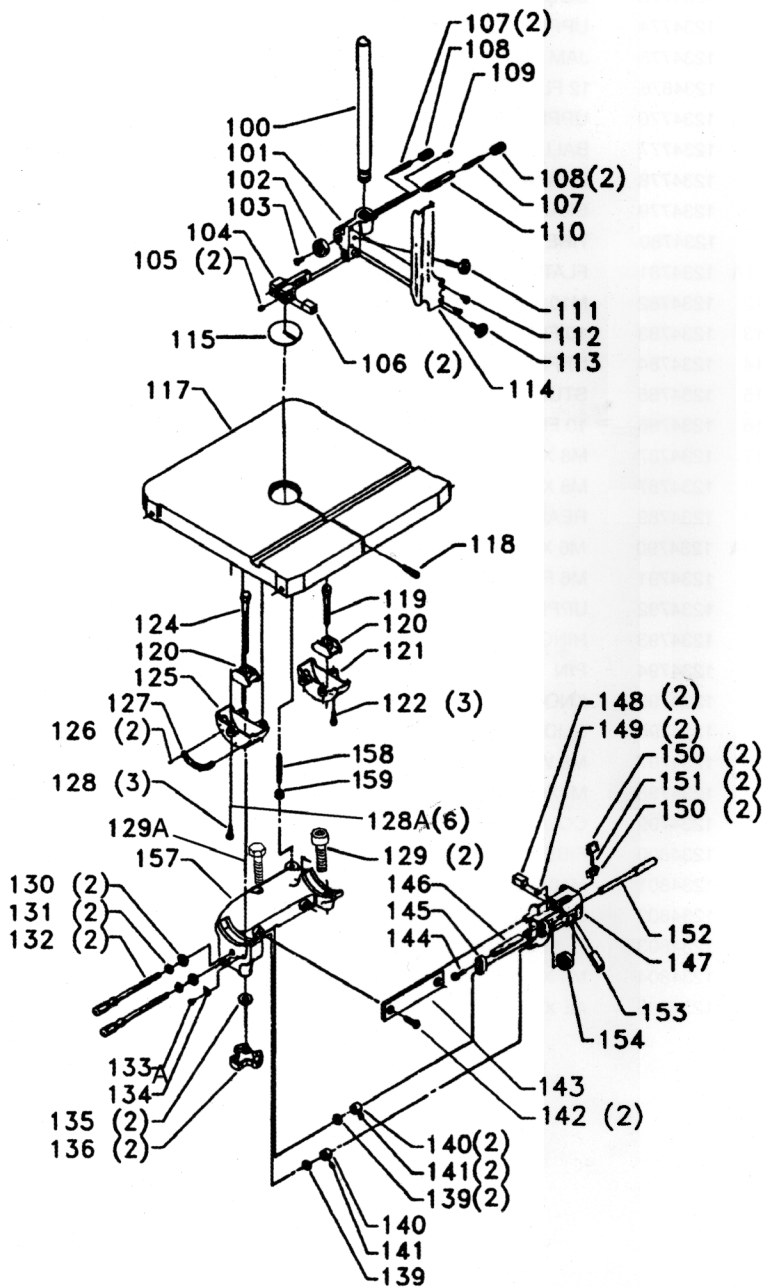


REPLACEMENT PARTS

Ref. No.	Part No.	Description	Ref. No.	Part No.	Description
1	1234771	KNOB	35	1234806	DOOR GATCH
2	1234772	KEPS NUT	36	1234807	HEX STUD
3	1234773	DOOR LOCK STUD	37	1234808	8 FLAT WASHER
4	1234774	UPPER GUARD FRONT	40	1234790	M6X10PAN HD SCR
5	1234775	JAM NUT	43	1234810	LOWER GUARD ASSY
6	1234876	12 FLAT WASHER	44	1234771	KNOB
7	1234776	UPPER WHEEL ASSY	45	1234772	KEPS NUT
8	1234777	BALL BEARING (6202 LB)	46	1234773	DOOR LOCK STUD
9	1234778	SPRING CLIP	47	1234814	BEARING NUT
10	1234779	SPACER	48	1234815	LOWER WHEEL
11	1234780	TIRE	49	1234780	TIRE
11A	1234781	FLAT WASHER	50	1234817	FLAT WASHER
12	1234782	M10 X 60 HEX HD SCR	51	1234818	BALL BEARING (6204LB)
13	1234783	10 FLAT WASHER	52	1234819	HI-PRO KEY
14	1234784	UPPER FRAME ASSY	53	1234820	LOWER DRIVE SHAFT
15	1234785	STUD	54	1234821	5 X 36 KEY
16	1234786	10 FLAT WASHER	55	1234804	M4 X 8 PAN HD SCR
17	1234787	M8 X 12 HEX WASHER HD SCR	57	1234806	DOOR CATCH
18	1234787	M8 X 12 HEX WASHER HD SCR	58	1234807	HEX STUD
19	1234789	REAR GUARD	59	1234825	BASE
19A	1234790	M6 X 10 PAN HD SCR	59A	1230826	WIRE CLIP
20	1234791	M6 FLANGE NUT	59B	1234827	M5 X 10 PAN HD SCR
21	1234792	UPPER WHEEL SHAFT	60	1234828	6.35X20 DOWEL PIN
22	1234793	HINGE	65	1234829	M20 X70 HEX HD SCR
23	1234794	PIN	66	1234830	20FLAT WASHER
24	1234795	KNOB ASSY	67	1234831	20 LOCK WASHER
25	1234796	SLIDING BRACKET	68	1234832	M20 HE X NUT
26	1234797	M8 WING NUT	69	1234833	BEARING LOAD SPRING
27	1234798	M8X63 THUMB SCR	70	1234814	BEARING NUT
28	1234799	COLI SRPING	71	1234835	M6X12 PAN HD SCR
29	1234800	FIBER WASHER	72	1234836	6 LOCK WASHER
30	1234801	M10 SQUARE NUT	73	1234837	SPRING CLIP
31	1234802	GUIDE LOCK KNOB	75	1234838	SHOULDER SCR
32	1234803	BLADE GUARD	75A	1234811	COIL SPRING
33	1234804	M4 X 8 PAN HD SCR	76	1234839	DUST SPOUT
34	1234805	4E XT TOOTH WASHER	77	1234840	DUST CAP

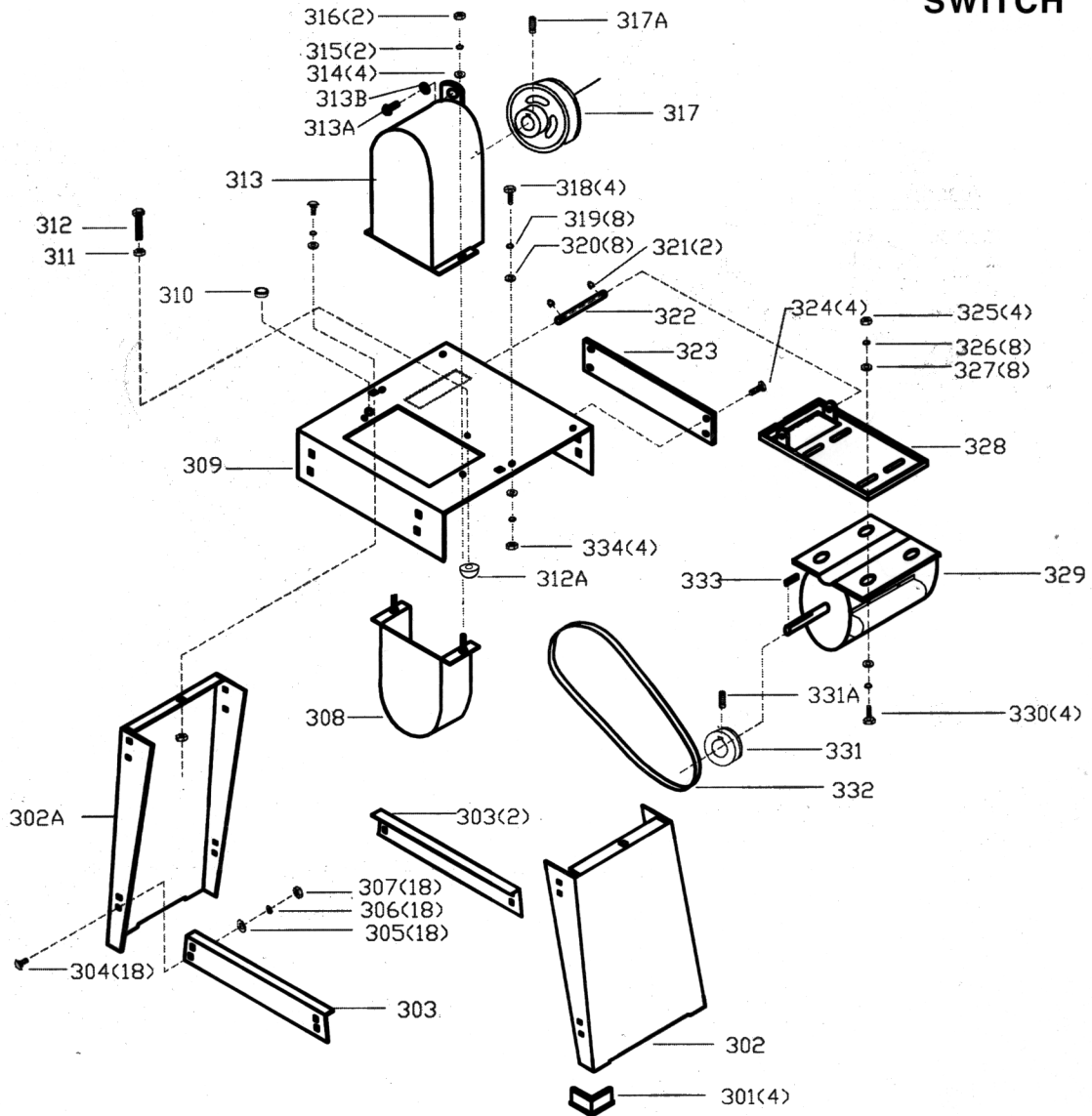
REPLACEMENT PARTS

Ref. No.	Part No.	Description
100	1234841	GUIDE POST
101	1234842	BRACKET
102	1234843	BALL BEARING (6200Z)
103	1234844	M6 X 12 BUTTON HD SCR
104	1234845	BRACKET
105	1234846	M8 X 6 HEX SOC SET SCR
106	1234847	GUIDE BLOCK
107	1234848	M8 X 45 HEX SOC SET SCR
108	1234849	SERRATED NUT
109	1234850	M8 X 12 HEX SOC SET SCR
110	1234851	HEXAGON SHAFT
111	1234852	M8 X 25 THUMB SCR
112	1234844	M6 X 12 BUTTON HD SCR
113	1234854	M8 X 12 THUMB SCR
114	1234855	BLADE GUARD
115	1234856	TABLE INSERT
117	1234857	TABLE
118	1234858	PIN
119	1234859	M12 X 60 HEX HD SCR
120	1234860	CLAMP SHOE
121	1234861	TRUNNION
122	1234862	M6 X 12 HEX HD SCR
124	1234863	M12 X 90 HEX HD SCR
125	1234864	TRUNNION ASSY
126	1234865	RIVET 2 X 5
127	1234866	SCALE
128	1234862	M6 X 12 HEX HD SCR
128A	1234868	6 FLAT WASHER
129	1234869	M8 X 25 SOC HD SCR
129A	1234870	M8 X 30 HEX HED SCR
130	1234871	WAVE WASHER
131	1234872	FIBER WASHER
132	1234873	ADJSCR W/KNOB
133	1234874	M5X 10 PAN HD SCR
134	1234875	POINTER
135	1234876	12 FALT WASHER
136	1234877	KNOB
139	1234872	FIBER WASHER
140	1234879	COLLAR ASSY
141	1234880	M6 X 6 HEX SOC SET SCR
142	1234881	M8 X 20 FALT HD SCR
143	1234882	STEEL RAIL
144	1234883	M6 X 18 FLAT HD SCR
145	1234884	ADJUSTING LINK
146	1234885	SOAXER TUBE
147	1234886	SUPPRT BRACKET
148	1234847	GUIDE BLOCK
149	1234846	M8 X 6 HEX SOC SET SCR
150	1234889	WEDGE
151	1234890	COIL SPRING
152	1234891	SHAFT
153	1234892	ANGLE GUIDE BLOCK
154	1234843	BALL BEARING (6200Z)
157	1234894	TRUNNION SUPPORT ASSY
158	1234895	M8 X 65 HE X HD SCR
159	1234896	M8 HEX NUT



REPLACEMENT PARTS

SWITCH

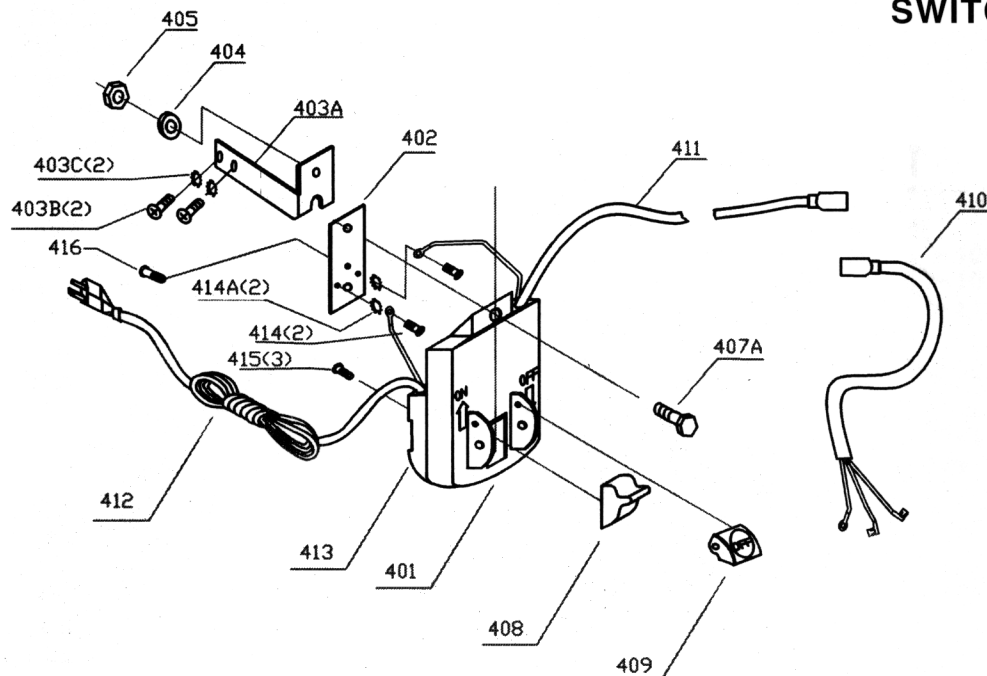


Ref. No.	Part No.	Description
301	1234897	FOOT
302	1234898	LEFT SIDE BRACKET
302A	1234899	RIGHT SIDE BRACKET
303	1234900	CROSS BRACKET
304	1234902	M8 X 16 CARRIAGE HD SCREW
305	1234903	8 FLAT WASHER
306	1234904	8 LOCK WASHER
307	1234896	M8 HEX NUT
308	1234906	UNDER GUARD
309	1234907	BRACKET
310	1234908	INSULATOR
311	1234909	M10 HEX.NUT
312	1234910	M10X80 HEX HD SCR
312A	1234812	DAMPING WASHER
313	1234911	UPPER GUARD
313A	1234912	M6X10PAN HD SCR
313B	1234913	6 FLAT WASHER
314	1234903	8 FLAT WASHER
315	1234915	8 LOCK WASHER

Ref. No.	Part No.	Description
316	1234896	M8 NUT
317	1234917	DRIVEN PULLEY
317A	1234918	M8X 12 HEX SOC SET SCR
318	1234919	M8 X 40 HEX HD SCR
319	1234904	8 LOCK WASHER
320	1234903	8 FLAT WASHER
321	1234922	C RING9
322	1234923	SHAFT
323	1234924	DATA PLATE
324	1234925	M3 X 6 SOC HD SCREW
325	1234896	M8 HEX NUT
326	1234904	8 LOCK WASHER
327	1234903	8 FLAT WASHER
328	1234929	BRACKET OF MOTOR
329	1234930	MOTOR
330	1234931	M8X 20 HEX HD SCREW
331	1234932	MOTOR PULLEY
331A	1234933	M8 X 8HEX SOC SET SCR
332	1234934	BELT 965A

REPLACEMENT PARTS

SWITCH



Ref. No.	Part No.	Description
333	1234935	5 X 25 KEY
334	1234896	M8 HEX NUT
401	1234937	SWITCH BOX
402	1234938	SWITCH PLATE
403A	1234939	SUPPORT
403B	1234835	M6 X 10 PAN HD SCR
403C	1234941	6 EXT TOOTH WASHER
404	1234903	8 FLAT WASHER
405	1234943	8 LOCK NUT
407A	1234944	M8 X 25 HEX HD SCR
408	1234945	SWITCH
409	1234946	SWITCH PADDLE
410	1234947	MOTOR CORD
411	1234948	CORD W/FEMALE DISCONNECTOR
412	1234949	POWER CORD
413	1234950	SWITCH BOX
414	1234951	M5 X 8 PAN HD SCR
414A	1234952	5 EXT TOOTH WASHER
415	1234953	ST 4.2 X 16 PAN HD SCR
416	1234954	ST 4.2 X 12 PAN HD SCR

STANDARD SAFETY EQUIPMENT

In order to promote tool safety, Delta International Machinery Corp. strictly enforces the policy of repairing or replacing any damaged or missing standard safety equipment on machines presented to Delta Authorized Service Centers for service/repair. Any product which is presented to a Delta Authorized Service Center for repairs which contains missing or damaged standard safety equipment will have that equipment repaired or replaced and the customer will be charged for any such service/repairs. Customers can avoid such charges only if the missing safety component is supplied to the service center at the time of repair.

This parts list is provided to aid in obtaining service parts. Copies of the instruction and maintenance literature can be obtained through the Delta Technical Publications Department or through your local service outlet.

Printed in U.S.A.