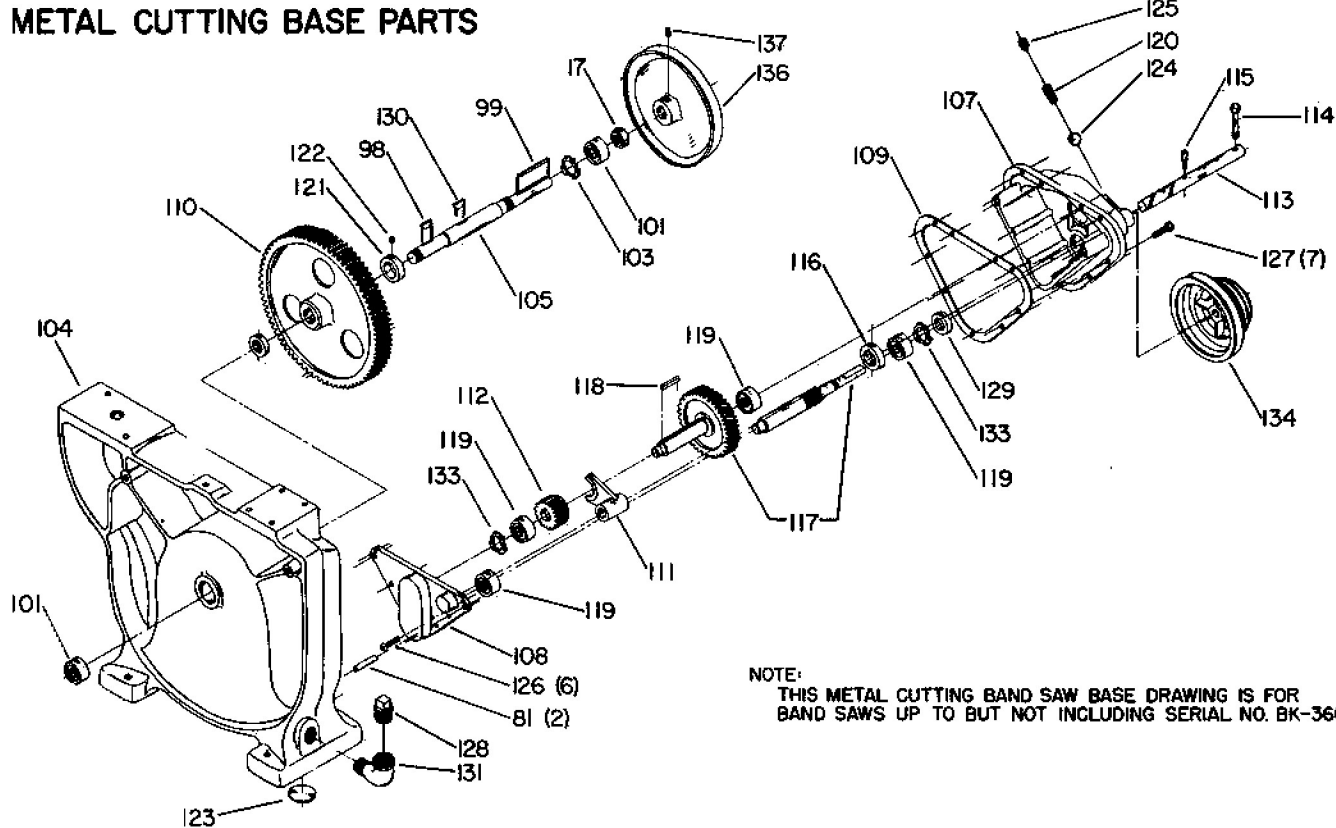
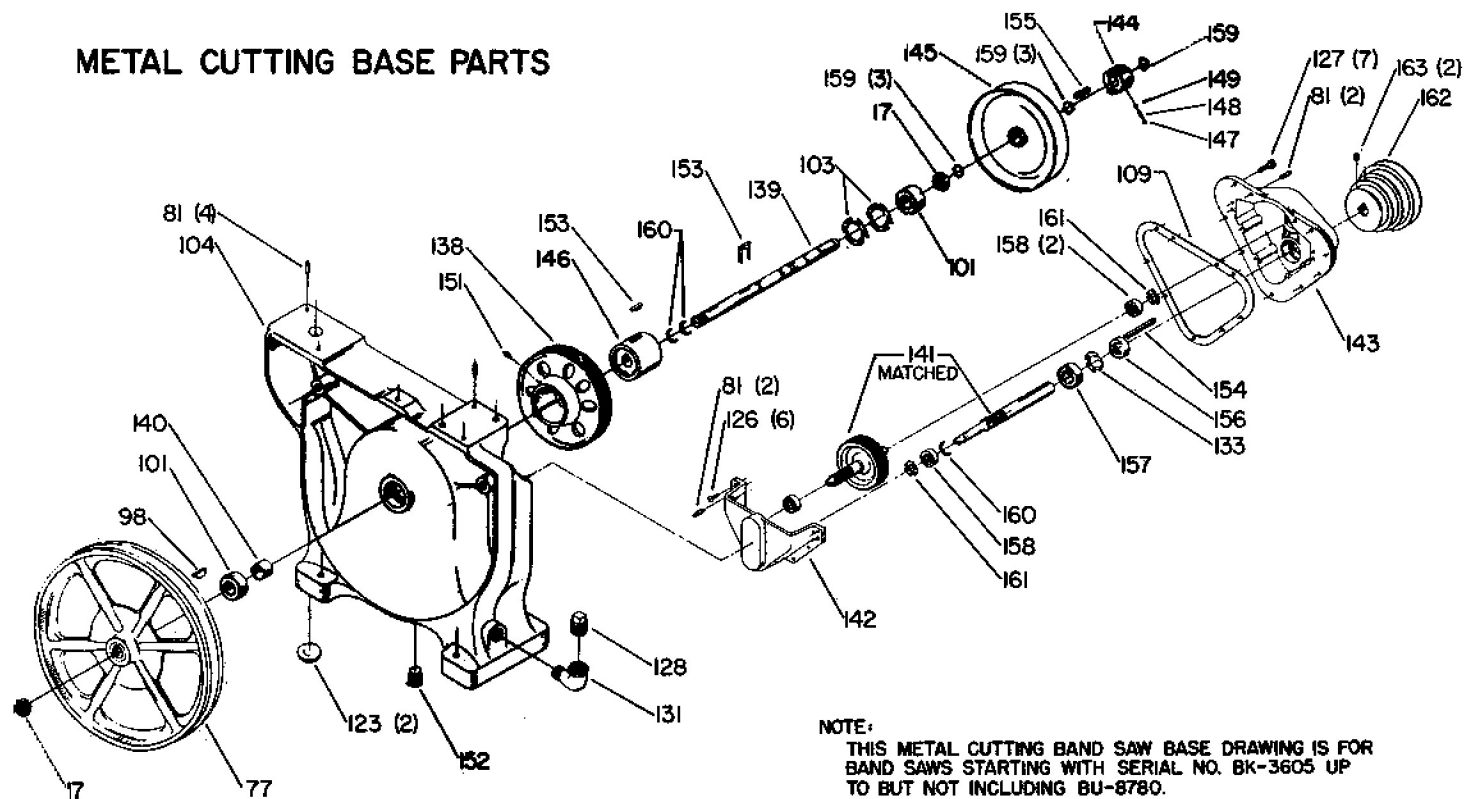


METAL CUTTING BASE PARTS



NOTE:
THIS METAL CUTTING BAND SAW BASE DRAWING IS FOR
BAND SAWS UP TO BUT NOT INCLUDING SERIAL NO. BK-3605.

METAL CUTTING BASE PARTS



NOTE:
THIS METAL CUTTING BAND SAW BASE DRAWING IS FOR
BAND SAWS STARTING WITH SERIAL NO. BK-3605 UP
TO BUT NOT INCLUDING BU-8780.