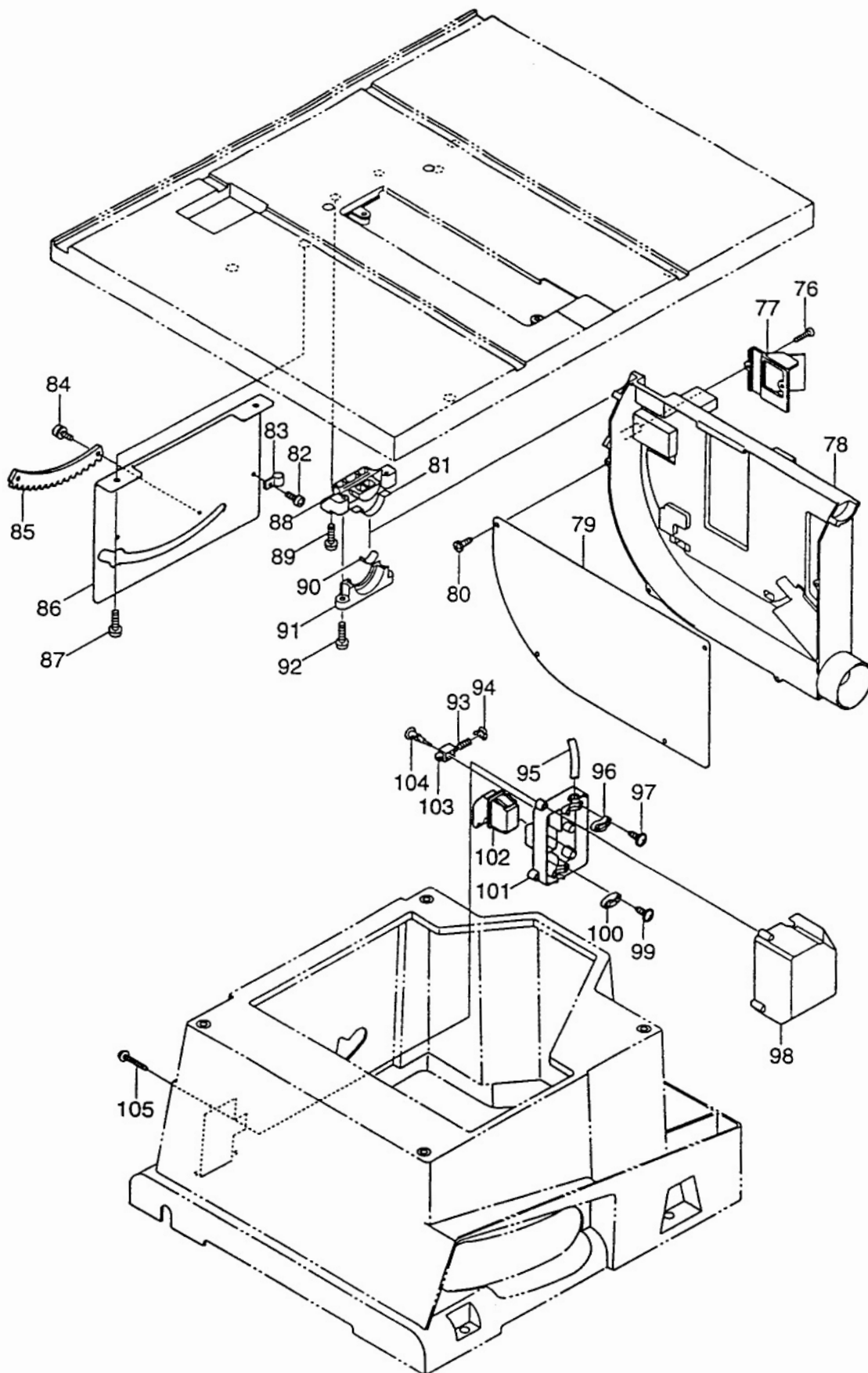


IMPORTANT — To assure product **SAFETY** and **RELIABILITY**, repairs, maintenance or adjustments should be performed by **MAKITA** Service Centers or other qualified service organizations. Always use **MAKITA** replacement parts.



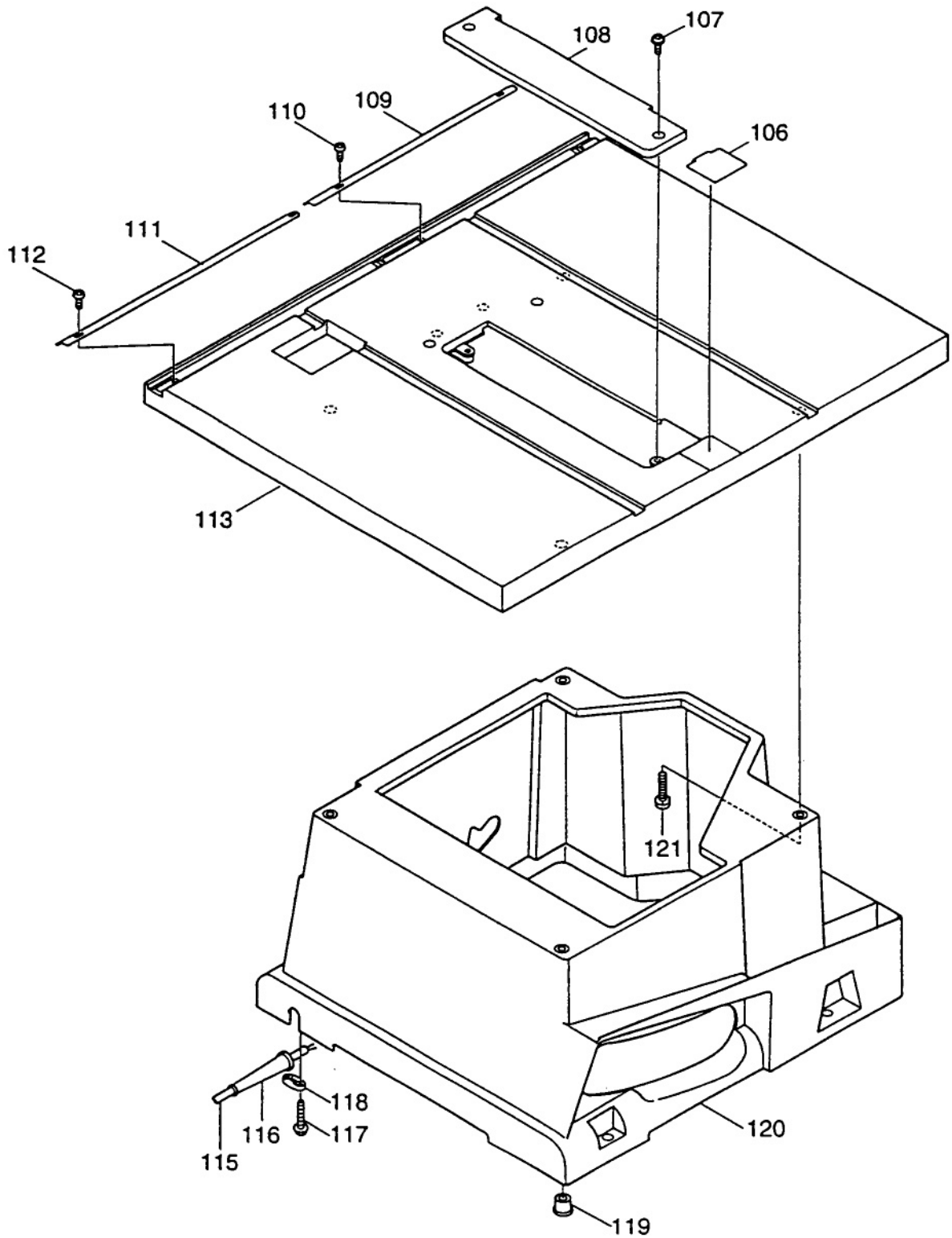


Fig.	Part No.	Qty. Used	Description	Fig.	Part No.	Qty. Used	Description
1	344536-2	1	GEARHOUSING PLATE	69	211061-7	1	BALL BEARING 6000LLB
2	911208-0	1	P.H. SCREW M5x10	70	416331-1	1	BAFFLE PLATE
3	416340-0	2	GUIDEBAR RETAINER	71	266029-8	2	T. SCREW FLANGE PT 5x65
4	911141-6	4	P.H. SCREW M4x22	72	596181-1	1	FIELD ass'y 115V (Incl. 2 ea. 654020-2 Ring Terminal; 654553-7 Connector)
5	323736-7	2	GUIDE BAR	73	159998-9	1	MOTOR HOUSING cpl., (2 ea. 643660-1 Brush Holder 6.5-13.5)
6	159999-7	1	GEAR HOUSING cpl., (Incl. Fig. 21 & 263005-3 Rubber Pin 6, & 951157-9 Spring Pin 5-16)	74	181047-4	1	CARBON BRUSH Set CB-154
7	168309-7	1	SAFETY GUIDE	75	643650-4	2	BRUSH HOLDER Cap 6.5-13.5
8	265391-8	2	HEX BOLT M6x16	76	266034-5	2	TAPPING SCREW 4x16
9	165206-8	1	STAY	77	416439-1	1	DUST GUIDE
10	911383-2	4	P.H. SCREW M6x60	78	316931-6	1	FRAME
11	344545-1	1	PRESSURE PLATE	79	344519-2	1	FRAME COVER
12	921431-9	2	HEX BOLT M8x20	80	266035-3	4	T. SCREW BIND CT 5x12
13	265995-6	2	TAPPING SCREW 4x18	81	344529-9	2	SLIDE SEAT
14	687054-0	1	STRAIN RELIEF	82	251308-7	1	P.H. SCREW M4x10
15	416341-8	1	COVER	83	687049-3	1	STRAIN RELIEF
16	265995-6	2	TAPPING SCREW 4x18	84	911208-0	2	P.H. SCREW M5x10
17	911141-6	4	P.H. SCREW M4x22	85	416333-7	1	RACK PLATE
18	416340-0	2	GUIDEBAR RETAINER	86	344518-4	1	PLATE
19	911141-6	2	P.H. SCREW M4x22	87	911323-0	2	P.H. SCREW M6x16
20	961016-9	1	STOPRING E-10	88	317010-3	1	ADJUST BLOCK
21	212121-8	1	NEEDLE BEARING 1210	89	265460-5	2	HEX BOLT M6x20
22	226499-3	1	HELICAL GEAR 42	90	232174-1	2	LEAF SPRING
23	267176-8	1	FLAT WASHER 17	91	416332-9	2	FRAME RETAINER
24	267170-0	1	FLAT WASHER 34	92	911333-7	4	P.H. SCREW M6x20
25	211256-2	1	BALL BEARING 6203LLB	93	231240-1	1	COMPRESSION SPRING 7
26	316933-2	1	BEARING BOX	94	416375-1	1	CAP
27	153264-6	1	SPINDLE cpl. (Incl. Fig. 22-25 & 323738-3 Spindle)	95	664080-6	1	POWER SUPPLY CORD
28	224333-1	1	FLANGE 53	96	687054-0	1	STRAIN RELIEF
30	224347-0	1	OUTER FLANGE 53	97	265995-6	2	TAPPING SCREW 4x18
31	252155-9	1	HEX NUT M12-19	98	416335-3	1	SWITCH BOX
32	911233-1	4	P. H. SCREW M5x20	99	265995-6	2	TAPPING SCREW 4x18
33	322968-3	1	SCREW BAR	100	687052-4	1	STRAIN RELIEF
34	416339-5	1	SCREW BAR RETAINER	101	416334-5	1	SWITCH BASE
35	941302-4	1	FLAT WASHER 12	102	651567-7	1	SWITCH
36	951116-3	1	SPRING PIN 4-20	103	416377-7	1	SLIDE PIN
37	226747-0	1	STRAIGHT BEVEL GEAR	104	416376-9	1	SWITCH BUTTON
38	253024-7	1	FLAT WASHER 10	105	265999-8	3	TAPPING SCREW 4x25
39	231315-6	1	COMPRESSION SPRING 14	106	344547-7	1	PLATE
40	322967-5	1	LOCK LEVER SHAFT	107	911323-0	2	P.H. SCREW M6x16
41	922243-3	1	H.S. H. BOLT M5x25	108	316935-8	1	CENTER COVER
42	272237-1	1	LEVER 90	109	816332-3	1	SCALE PLATE L
43	266034-5	2	TAPPING SCREW CT 4x16	110	251308-7	2	P.H. SCREW M4x10
44	253143-9	1	FLAT WASHER 12	111	816331-5	1	SCALE PLATE R
45	213107-5	1	ORING 12	112	251308-7	2	P.H. SCREW M4x10
46	214114-1	1	PLANE BEARING 12	113	316930-8	1	TABLE
47	344544-3	1	STAY	115	664463-0	1	CORD (2x14x8 SJ)
48	344543-5	1	POINTER	116	682504-0	1	CORD GUARD 10-85
49	922103-9	1	H.S.H. BOLT M4x6	117	265995-6	2	TAPPING SCREW 4x18
50	951116-3	1	SPRING PIN 4-20	118	687052-4	1	STRAIN RELIEF
51	911218-7	1	P.H. SCREW M5x14	119	286202-4	4	CAP 20
52	268031-7	1	PIN 8	120	150825-3	1	BASE cpl., (Incl. 816776-7 Bevel Scale Label)
53	271408-7	1	KNOB 20	121	911344-2	4	P.H. SCREW M6x25
54	271071-6	1	HANDLE 120	122	253052-2	1	FLAT WASHER 12
55	323735-9	1	HANDLE SHAFT	123	416376-9	2	SWITCH BUTTON
56	344581-7	1	CAP 92	124	163024-8	1	GUIDE PLATE
57	271070-8	1	HANDLE 100	125	271401-1	1	KNOB 32
58	226747-0	1	STRAIGHT BEVEL GEAR	126	253047-5	1	FLAT WASHER 6
59	951116-3	1	SPRING PIN 4-20	ACCESSORIES			
60	941302-4	1	FLAT WASHER 12	401	122556-4	1	RULER ass'y
61	931502-4	1	HEX NUT M10	402	781027-6	1	WRENCH 19
62	213423-5	1	ORING 30	403	782021-1	1	WRENCH 13-22
63	253792-2	1	FLAT WASHER 26	404	783009-4	1	HOLDER CAPOPENER
64	211206-7	1	BALL BEARING 6202LLB	405	792736-2	1	T.C.T. SAW BLADE 255
65	253147-1	1	FLAT WASHER 15	406	122555-6	1	ANGLE RULE ass'y (Incl. Fig. 124-126)
67	516761-7	1	ARMATURE ass'y 115V (Incl. Fig. 64-65, 68, & 69)	407	191686-2	1	SAFETY GOGGLES
68	681640-9	1	INSULATION WASHER				