

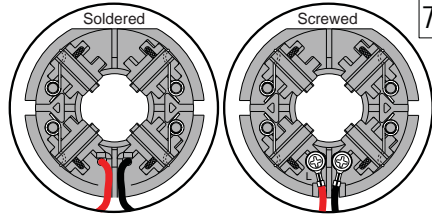


SERVICE PARTS LIST

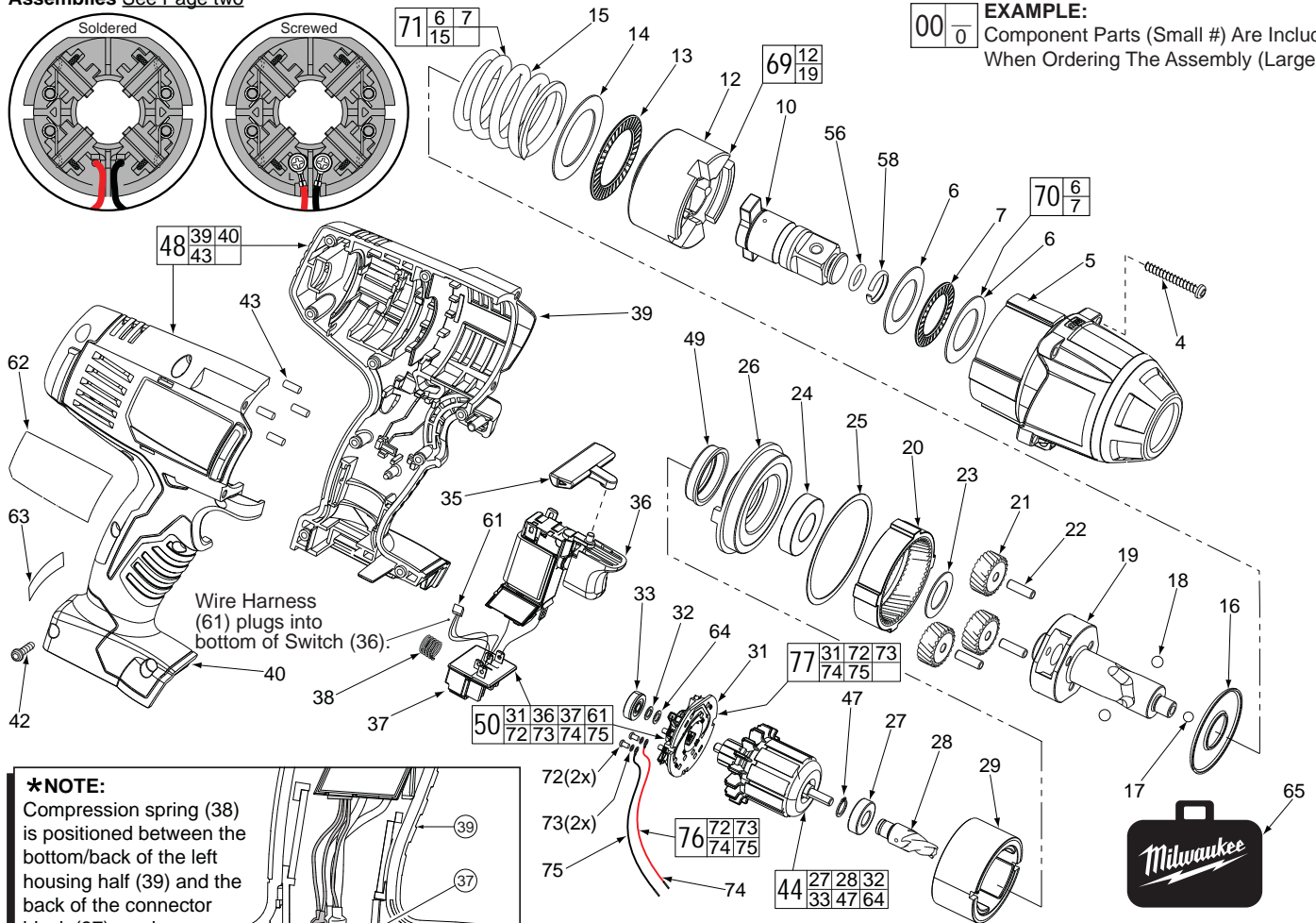
BULLETIN NO.
54-26-2680

SPECIFY CATALOG NO. AND SERIAL NO. WHEN ORDERING PARTS		REVISED BULLETIN	DATE
CORDLESS 18V 3/4" SQUARE IMPACT WRENCH			Aug. 2014
CATALOG NO.	2664-20	STARTING SERIAL NO.	B81A
		WIRING INSTRUCTION See Page 3	

#77 Two styles of Brush Card Assemblies See Page two



EXAMPLE:
Component Parts (Small #) Are Included When Ordering The Assembly (Large #).



***NOTE:**
Compression spring (38) is positioned between the bottom/back of the left housing half (39) and the back of the connector block (37) as shown.

FIG.	PART NO.	DESCRIPTION OF PART	NO.REQ.
4	05-88-5988	M5 X 35mm Pan Hd. Sit. T-20 Screw	(4)
5	14-30-0965	Front Housing Assy. w/ Bushing and O-Rings	(1)
6	-----	Washer	(2)
7	-----	Thrust Bearing	(1)
10	42-06-0690	3/4" Anvil	(1)
12	-----	Hammer	(1)
13	02-80-0200	Thrust Bearing	(1)
14	45-88-1006	Washer	(1)
15	-----	Compression Spring	(1)
16	45-88-1650	Washer	(1)
17	02-02-7010	7/32" Ball	(1)
18	02-02-0250	1/4" Ball	(2)
19	-----	Camshaft	(1)
20	32-65-0260	Ring Gear	(1)
21	32-62-0500	Planet Gear	(3)
22	44-60-1960	Pin	(3)
23	45-88-1655	Washer	(1)
24	02-04-0375	Ball Bearing	(1)
25	34-40-0290	Seal Ring	(1)
26	44-66-0895	Motor Mount Plate	(1)
27	-----	Ball Bearing - Front	(1)
28	-----	Pinion	(1)
29	18-01-3025	Service Field Assembly	(1)
31	-----	Brush Card	(1)
32	-----	Washer	(1)
33	-----	Ball Bearing - Rear	(1)
35	45-24-0570	Forward / Reverse Shuttle	(1)
36	23-66-0427	Switch	(1)
37	-----	Connector Block	(1)
38	40-50-1090	Compression Spring	(1)
39	-----	Handle - Left	(1)
40	-----	Handle - Right	(1)
42	06-82-0995	M4 x 16mm Pan Hd. T-20 Screw	(9)

FIG.	PART NO.	DESCRIPTION OF PART	NO.REQ.
43	45-30-0255	Rubber Slug	(4)
44	16-01-3030	Armature Assembly	(1)
47	-----	Retaining Ring	(1)
48	31-44-0695	Handle Set	(1)
49	45-22-0380	Rubber Cap	(1)
50	22-56-1450	Switch/Connector Block Assembly	(1)
56	34-40-1210	O-Ring	(1)
58	44-90-4540	C-Ring	(1)
61	-----	Wire Harness	(1)
62	12-20-2670	Service Nameplate Kit	(1)
63	10-20-2998	Warning Label	(1)
64	-----	Washer	(1)
65	42-55-2665	Carrying Case, Optional	(1)
69	14-46-2070	Camshaft/Hammer Service Kit	(1)
70	45-88-1877	Washer/Bearing Kit	(1)
71	14-46-0755	Spring/Washer/Bearing Kit	(1)
72	05-88-0928	M3 x 5mm Pan Hd. T10 Screw	(2)
73	45-88-1980	Spring Washer	(2)
74	-----	Leadwire Assembly - Red	(1)
75	-----	Leadwire Assembly - Black	(1)
76	14-46-2395	Leadwire/Screw/Washer Kit	(1)
77	14-46-2024	Brush Card Assembly	(1)

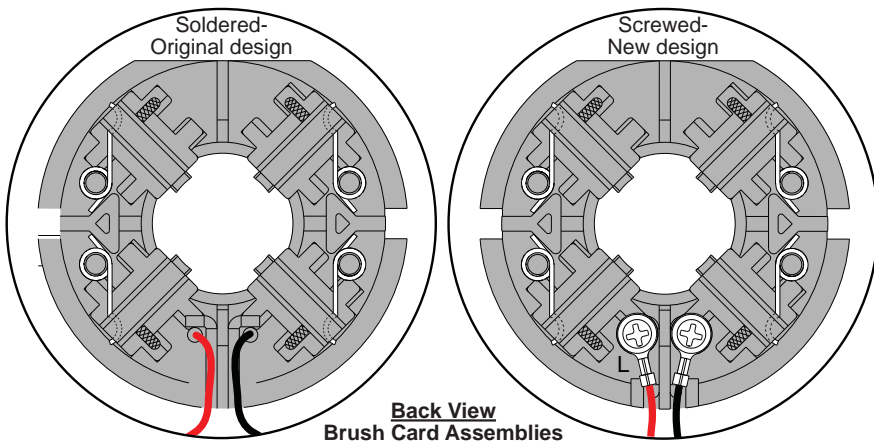
FIG. LUBRICATION
(Type 'Z' Grease, No. 49-08-7655):

20,21 Lightly coat the I.D. of the Ring Gear (20) and the center of the three Planet Gears (21) with grease.

19 Place a dab of grease in ball grooves of the Cam Shaft (19).

10 Lightly coat the front washer surface of Anvil (10) with grease, place a dab in the Ball hole on the backside of Anvil.

3 Coat outside grooves of Bushing (3) with grease.

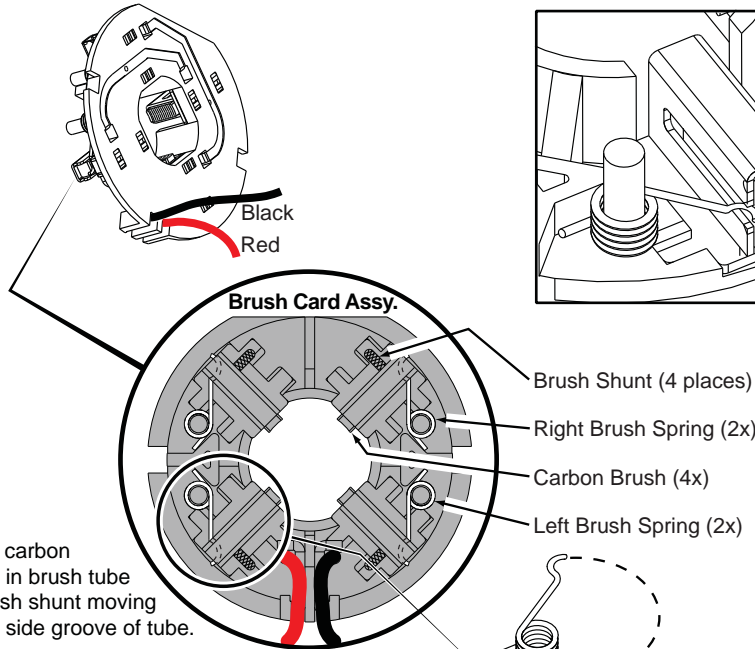


NOTE:
There are two Brush Card Assembly designs.

On the original brush card design the red and black wires that go to the switch are soldered on the brush card.

On the new brush card design the red and black wires that go to the switch are secured to the brush card with spring washers and screws.

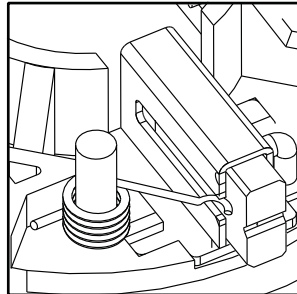
The new brush card design is **directly interchangeable** in tools that have the old brush card design.



Be sure carbon brush is in brush tube with brush shunt moving freely in side groove of tube.

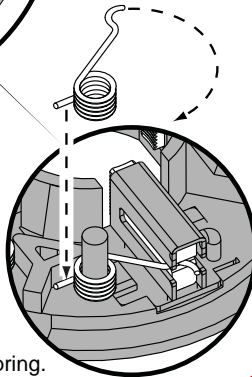
Place brush spring over post with short leg positioned downward as shown. Be sure spring is completely down with short leg trapped against 'Y' shaped wall on brush card.

While holding spring in place, bring the long leg of spring over the brush tube and through rear opening of tube. Position rounded hook of spring in groove on back of carbon brush. Be sure to check for free movement between carbon brush, brush shunt and brush spring.



NOTE:
As an aid to prevent damage to the armature commutator or the brushes when removing and installing the armature assembly, it is recommended to pull the carbon brushes partially back into the brush tube. The carbon brushes will be held in place with the brush spring moving from the rear of the brush to the side of the brush.

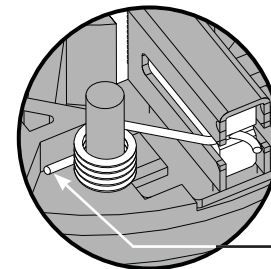
In the unlikely event that the spring pops off follow the instructions below.



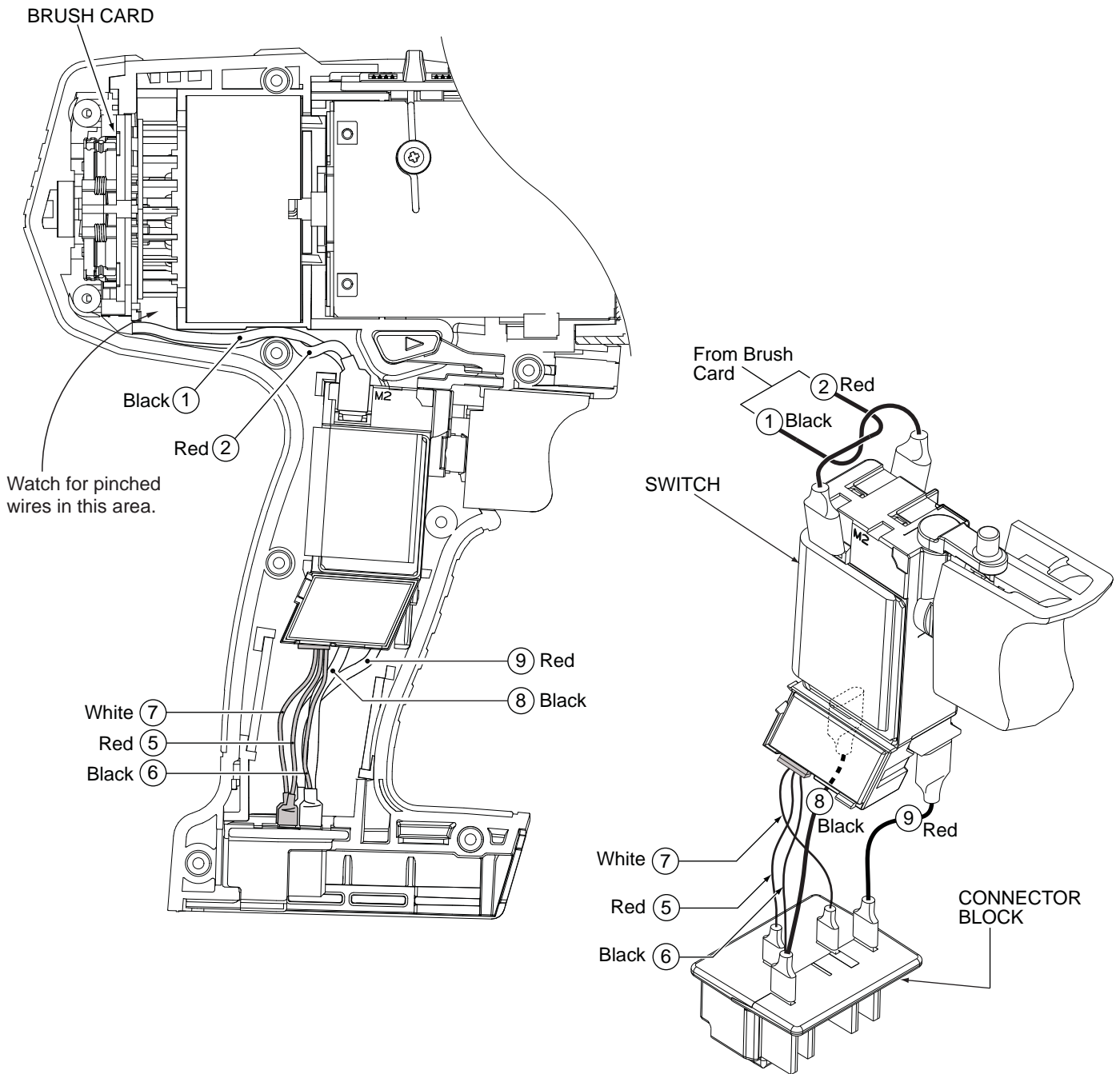
Wrong



Correct



Short leg of spring to the bottom



WIRING SPECIFICATIONS

Wire No.	Wire Color	Origin or Gauge	Length	Terminals, Connectors and 1 or 2 End Wire Preparation
1	Black	----	----	Component of the Switch/Connector Block Assembly.
2	Red	----	----	Component of the Switch/Connector Block Assembly.
5	Red	----	----	Component of the Switch/Connector Block Assembly.
6	Black	----	----	Component of the Switch/Connector Block Assembly.
7	White	----	----	Component of the Switch/Connector Block Assembly.
8	Black	----	----	Component of the Switch/Connector Block Assembly.
9	Red	----	----	Component of the Switch/Connector Block Assembly.

