



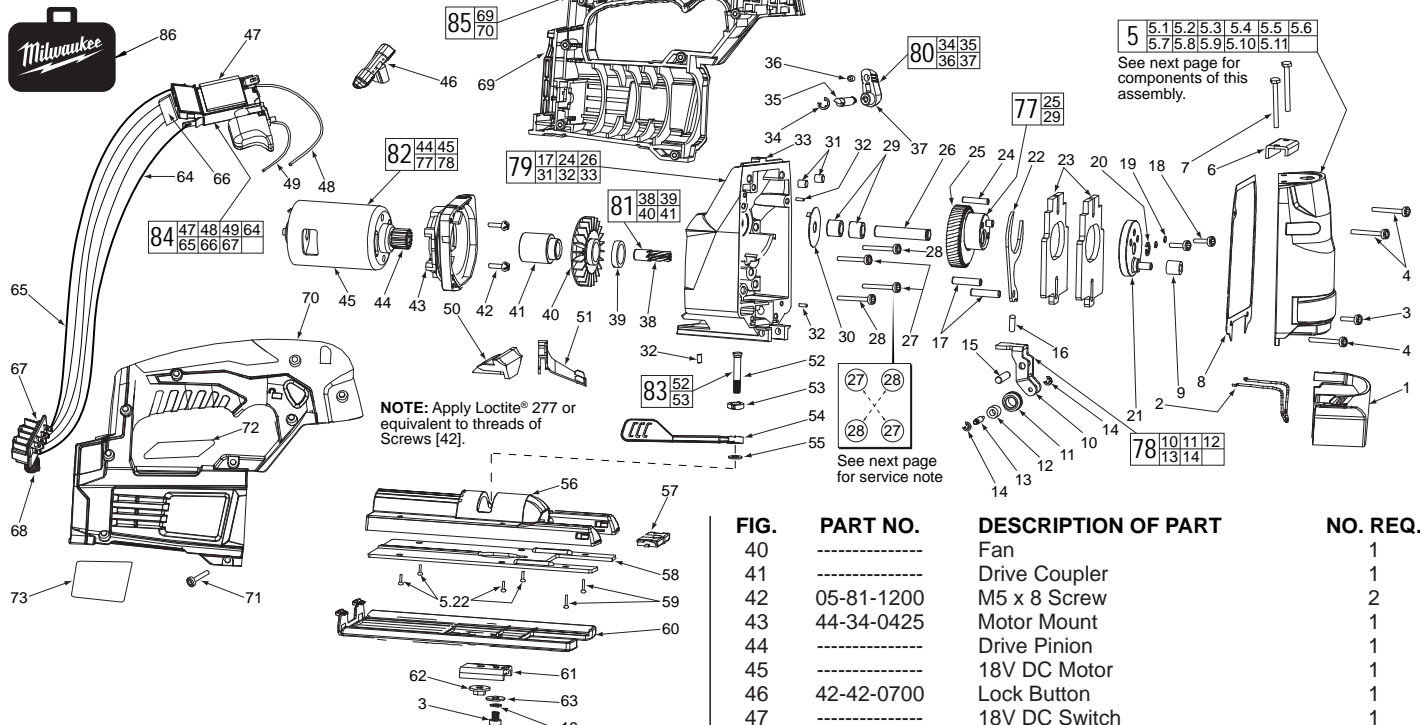
# SERVICE PARTS LIST

**BULLETIN NO.**  
**54-40-2645**

SPECIFY CATALOG NO. AND SERIAL NO. WHEN ORDERING PARTS		REVISED BULLETIN	DATE
<b>CORDLESS M18 ORBITAL JIG SAW</b>			Aug. 2013
CATALOG NO.	<b>2645-20</b>	SERIAL NUMBER	<b>C07A</b>
		WIRING INSTRUCTION <b>SEE PAGE 4</b>	

00 0

**EXAMPLE:**  
Component Parts (Small #) Are Included  
When Ordering The Assembly (Large #).



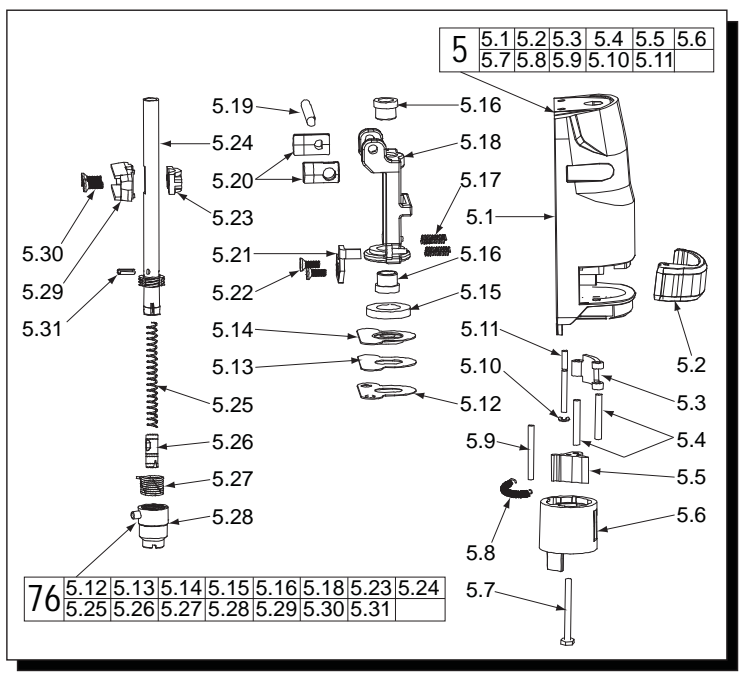
**NOTE:** Apply Loctite® 277 or equivalent to threads of Screws [42].

See next page for service note

FIG.	PART NO.	DESCRIPTION OF PART	NO. REQ.
1	42-92-1160	Blade Cover	1
2	43-54-0780	Guard Wire	1
3	05-81-1030	M4 x 9.0 T-20 Screw	2
4	05-81-1040	M4 x 16 T-20 Screw	3
5	14-20-4000	Gearcase Cover Assembly	1
5.22	05-81-1050	M4 Flat Head Screw	4
6	42-28-0450	Support Block	1
7	05-81-1060	M4 x 44 Pan Head T-20 Screw	2
8	43-44-0610	Gasket	1
9	02-50-1260	Needle Bearing	1
10	-----	Blade Guide Holder	1
11	-----	Blade Guide	1
12	-----	Needle Bearing	1
13	-----	4.0 x 11 Pin	1
14	-----	E-Ring	2
15	06-65-0410	5.0 x 23.5 Pin	1
16	06-65-0420	5.0 x 9.6 Pin	1
17	-----	5.0 x 22 Pin	2
18	05-81-1070	M4 x 12 Screw	2
19	45-88-1890	Spring Washer	3
20	34-60-0750	E-Ring	1
21	44-66-1510	Eccentricity Plate	1
22	44-66-1630	Drive Plate	1
23	42-28-0500	Counter Balance	2
24	-----	4 x 23 Pin	1
25	-----	Output Gear	1
26	-----	8 x 43 Pin	1
27	05-81-1080	M4 x 25 Screw	2
28	05-81-1090	M4 x 24 Screw	2
29	-----	Needle Bearing	2
30	45-88-3070	Washer	1
31	-----	Rubber Knock	2
32	-----	2.5 x 7.5 Pin	3
33	-----	Gearcase	1
34	34-60-0770	E-Ring	1
35	-----	Orbital Adjustment Shaft	1
36	-----	Orbital Adjustment Stop	1
37	-----	Orbital Adjustment Lever	1
38	-----	Spiral Pinion Shaft	1
39	-----	Ball Bearing	1

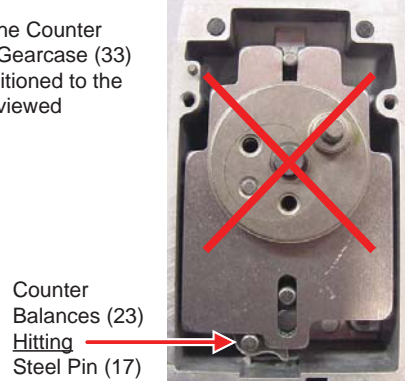
FIG.	PART NO.	DESCRIPTION OF PART	NO. REQ.
40	-----	Fan	1
41	-----	Drive Coupler	1
42	05-81-1200	M5 x 8 Screw	2
43	44-34-0425	Motor Mount	1
44	-----	Drive Pinion	1
45	-----	18V DC Motor	1
46	42-42-0700	Lock Button	1
47	-----	18V DC Switch	1
48	-----	Red Leadwire	1
49	-----	Black Leadwire	1
50	42-68-0880	Clamping Claw	1
51	43-56-0695	Airflow Baffle	1
52	-----	M6 x 31 Bolt	1
53	-----	Fix Wedge	1
54	44-10-0700	Adjustable Base Lever	1
55	45-88-1990	Washer	1
56	28-06-1280	Adjustable Shoe	1
57	43-84-1030	Anti-Splintering Insert	1
58	42-92-1580	Slide Plate	1
59	05-88-1208	M4 x 13 Flat Head Screw	2
60	31-15-0690	Plastic Cover	1
61	31-17-0570	Shoe Retainer	1
62	05-59-0900	M6 x 7 Nut	1
63	45-88-2060	Washer	1
64	-----	Red Leadwire	1
65	-----	Black Leadwire	1
66	-----	Connector Assembly	1
67	22-56-0025	Terminal Block Assembly	1
68	40-50-1090	Compression Spring	1
69	-----	Support Housing (Left Handle Half)	1
70	-----	Housing Cover (Right Handle Half)	1
71	05-86-1200	M4 x 16 Pan Head Plastite T-20 Screw	9
72	10-20-3795	Warning Label	1
73	12-20-1305	Service Nameplate Kit	1
77	32-30-0200	Gear Assembly	1
78	42-36-0280	Blade Guide Assembly	1
79	14-30-0980	Gearcase Assembly	1
80	30-58-0100	Orbit Lever Assembly	1
81	36-66-4490	Pinion Assembly	1
82	23-30-0780	Motor Assembly	1
83	30-58-0125	Tension Lever Assembly	1
84	23-66-2960	Switch Assembly	1
85	31-44-2375	Handle Halves Assembly	1
86	42-55-2645	Carrying Case, Optional	1

FIG.	PART NO.	DESCRIPTION OF PART	NO. REQ.
5	14-20-4000	Gearcase Cover Assembly	1
5.1	-----	Gearcase Cover	1
5.2	-----	Lever	1
5.3	-----	Link Rod	1
5.4	-----	2.8 x 14 Pin	2
5.5	44-10-0690	Sleeve Lever	1
5.6	45-22-0190	Rotate Sleeve	1
5.7	05-86-0300	M3 x 22.5 Slotted Screw	1
5.8	40-50-4410	Tension Spring	1
5.9	-----	2.5 x 25 Pin	1
5.10	-----	E-Ring	1
5.11	-----	4.0 x 30 Pin	1
5.12	-----	Cover Plate	1
5.13	-----	Rubber Seal	1
5.14	-----	Felt Seal	1
5.15	-----	Fiber Seal	1
5.16	-----	Bushing	2
5.17	40-50-0780	Compression Spring	2
5.18	-----	Saw Bar Guide	1
5.19	06-65-0310	5 x 46 Pin	1
5.20	44-74-0170	Pivot Post	2
5.21	44-66-1290	Pressing Plate	1
5.22	05-81-1050	M4 Flat Head Screw	2
5.23	-----	Cover Plate	1
5.24	-----	Saw Bar	1
5.25	-----	Compression Spring	1
5.26	-----	Clamp Plate	1
5.27	-----	Torsion Spring	1
5.28	-----	Blade Clamp Sleeve	1
5.29	-----	Connecting Link	1
5.30	-----	M4 x 10 Screw	2
5.31	-----	Pin	1
76	38-50-0750	Spindle Assembly	1



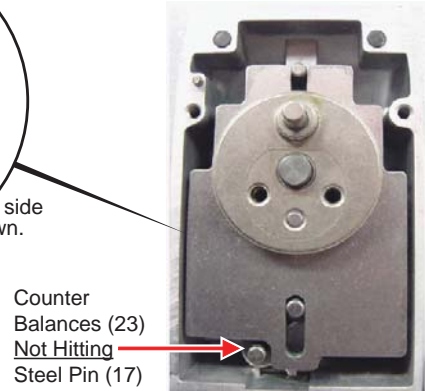
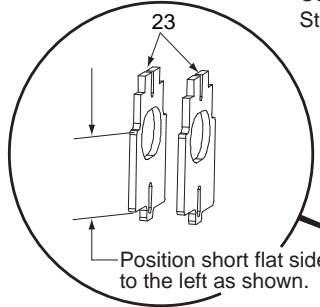
**Service Notes for 2645 Cordless Jigsaw**

**IMPORTANT:** Place both of the Counter Balance Blocks (23) into the Gearcase (33) with the shorter flat sides positioned to the left side in the Gearcase (as viewed from the front of tool).



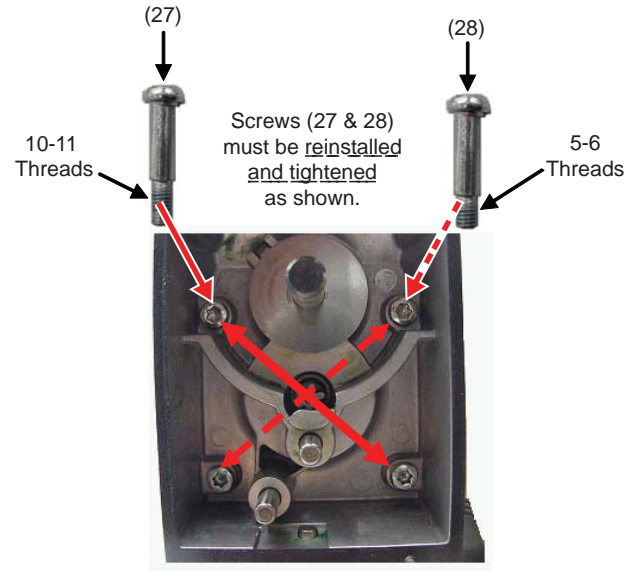
**Counter Balances Installed INCORRECTLY**

Counter Balances (23) come into contact with Steel Pin (17) inside Gearcase (33).



**Counter Balances Installed CORRECTLY**

Counter Balances (23) do not come into contact with Steel Pin (17) inside Gearcase (33). Approximately .065 clearance between bottom of Counter Balances and Steel Pin.



**Front View of Gearcase**

Overall length of screws are identical although length of threads are different

TORQUE SPECIFICATIONS			
Fig.	Part No.	Min. (In-Lbs)	Max. (In-Lbs)
3	05-81-1030	15	25
4	05-81-1040	15	30
5.7	05-86-0300	4	6
5.22	05-81-1050	15	25
5.30	-----	20	30
7	05-81-1060	7	15
18	05-81-1070	25	25
27	05-81-1080	15	25
28	05-81-1090	15	25
42	05-81-1200	20	30
59	05-88-1208	15	25
71	05-86-1200	7	15