



SERVICE PARTS LIST

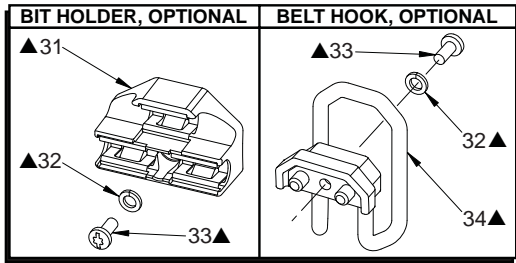
BULLETIN NO.
54-24-2620

SPECIFY CATALOG NO. AND SERIAL NO. WHEN ORDERING PARTS		REVISED BULLETIN	DATE
18 VOLT MAGNUM 1/2" HAMMER-DRILL			Feb. 2011
CATALOG NO. 2611-20	STARTING SERIAL NO. B54A	WIRING INSTRUCTION SEE PAGE 3	

EXAMPLE:

00	0
----	---

 Component Parts (Small #) Are Included When Ordering The Assembly (Large #).



▲ = Optional, Not Standard Equipment

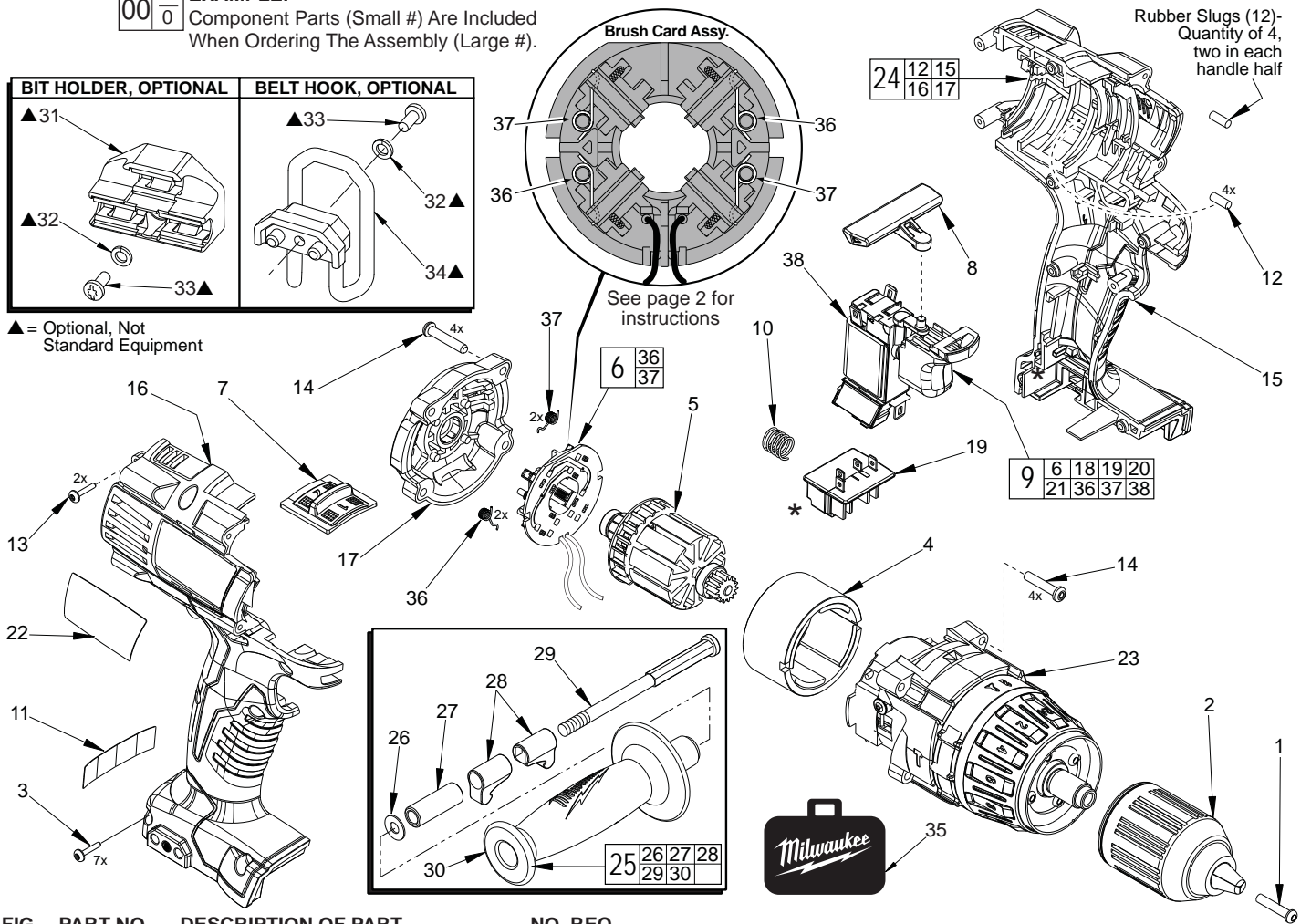
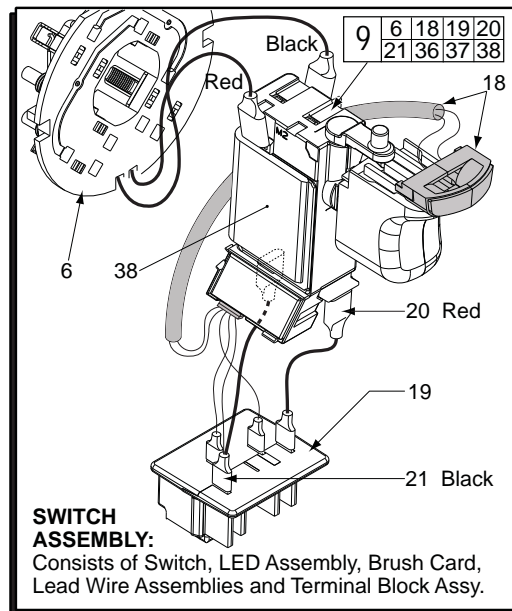


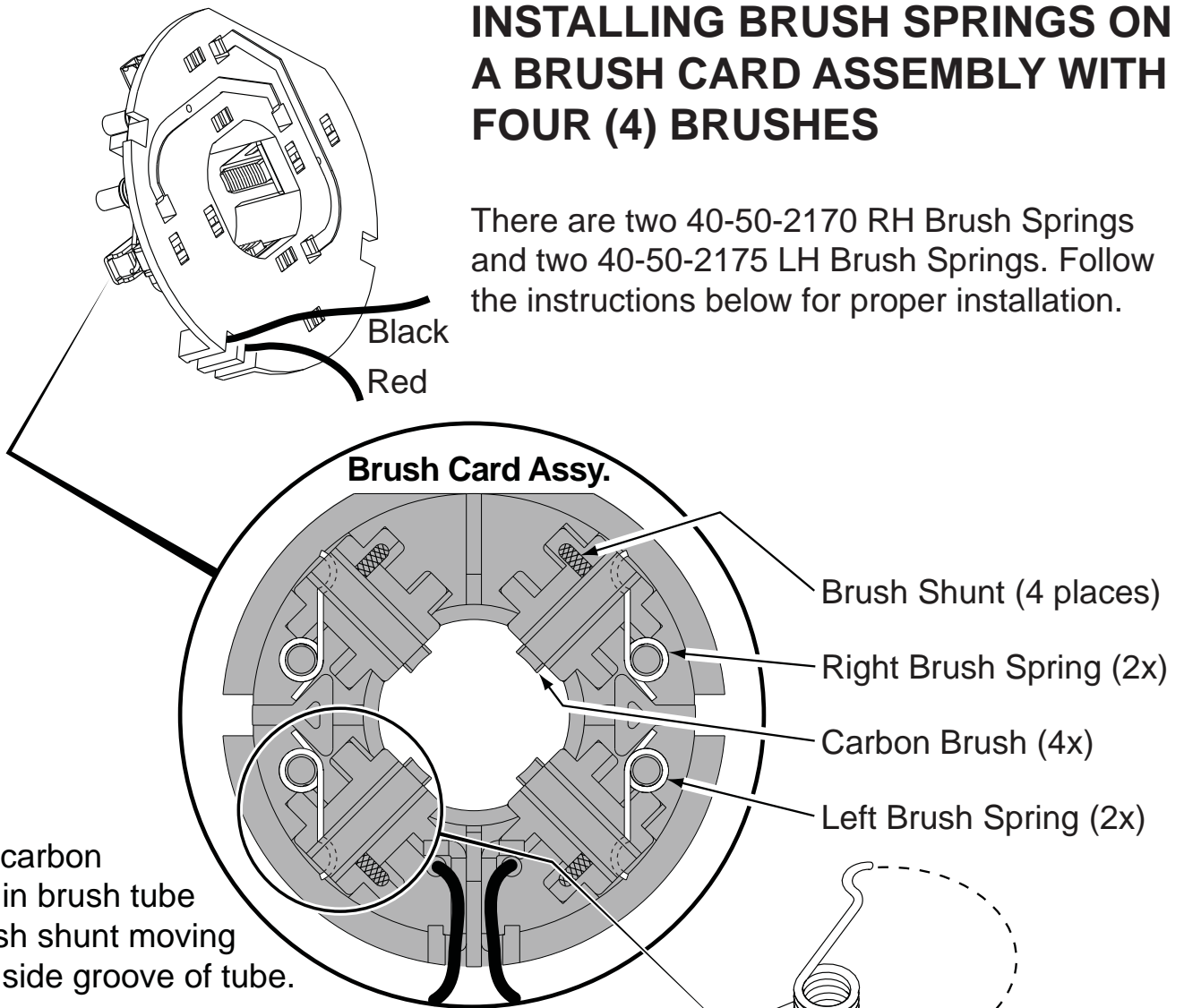
FIG.	PART NO.	DESCRIPTION OF PART	NO. REQ.
1	05-88-1470	M6 x 1.0 Pan Hd. Chuck Screw T-25	(1)
2	42-66-0755	1/2" Chuck	(1)
3	05-88-1700	M3.5 Handle Screw T-10	(1)
4	18-01-3025	Service Field	(1)
5	16-01-3025	Service Armature Assembly	(1)
6	22-22-1625	Brush Card	(1)
7	45-24-0675	High / Low Shifter	(1)
8	42-42-0800	Forward / Reverse Button	(1)
9	23-66-0273	Switch Assembly	(1)
10	40-50-1090	Compression Spring	(1)
11	10-20-2695	Warning Label	(1)
12	45-30-0255	Rubber Slug	(4)
13	06-82-6350	M3 x 16mm Handle Screw T-10	(2)
14	05-88-1710	M3.5 x 22mm End Cap/Gearcase Scr T-10	(8)
15	-----	Left Handle	(1)
16	-----	Right Handle	(1)
17	42-52-0390	End Cap	(1)
18	-----	LED Assembly	(1)
19	-----	Terminal Block Assembly	(1)
20	-----	Red Leadwire Assembly	(1)
21	-----	Black Leadwire Assembly	(1)
22	12-20-2610	Service Nameplate Kit	(1)
23	14-29-0320	Service Gearcase Assembly	(1)
24	31-44-2611	Service Housing Kit	(1)
25	42-62-0525	Side Handle Assembly	(1)
26	45-88-2090	Washer	(1)
27	45-22-0800	Sleeve	(1)
28	42-68-0925	Clamp	(2)
29	45-04-0975	Adjustment Screw	(1)
30	43-62-1375	Handle Grip	(1)
31	43-72-0550	Bit Holder, <i>Optional</i>	(1)
32	45-88-1935	Washer, <i>Optional</i>	(1)
33	06-82-5275	6-32 x 5/16" Pan Hd. T-15 Screw, <i>Optional</i>	(2)
34	42-70-5150	Belt Hook, <i>Optional</i>	(1)
35	42-55-2611	Carrying Case	(1)
36	40-50-2170	Brush Spring - Right Handed	(2)
37	40-50-2175	Brush Spring - Left Handed	(2)
38	-----	Switch	(1)



SWITCH ASSEMBLY:
 Consists of Switch, LED Assembly, Brush Card, Lead Wire Assemblies and Terminal Block Assy.

INSTALLING BRUSH SPRINGS ON A BRUSH CARD ASSEMBLY WITH FOUR (4) BRUSHES

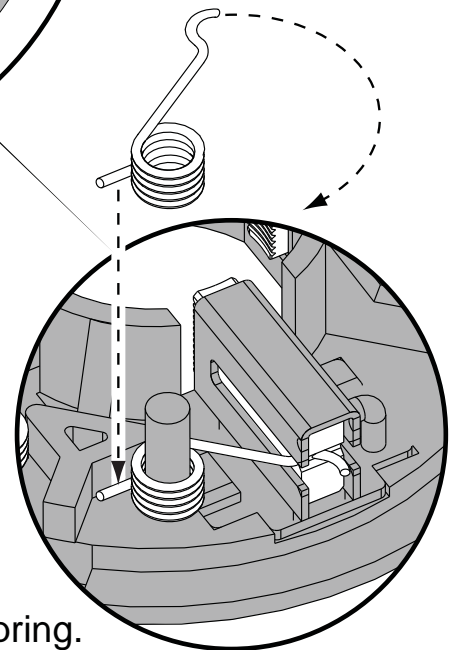
There are two 40-50-2170 RH Brush Springs and two 40-50-2175 LH Brush Springs. Follow the instructions below for proper installation.



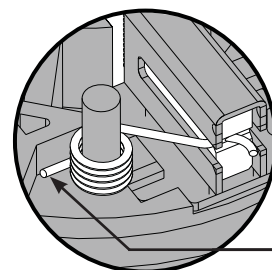
Be sure carbon brush is in brush tube with brush shunt moving freely in side groove of tube.

Place brush spring over post with short leg positioned downward as shown. Be sure spring is completely down with short leg trapped against 'Y' shaped wall on brush card.

While holding spring in place, bring the long leg of spring over the brush tube and through rear opening of tube. Position rounded hook of spring in groove on back of carbon brush. Be sure to check for free movement between carbon brush, brush shunt and brush spring.

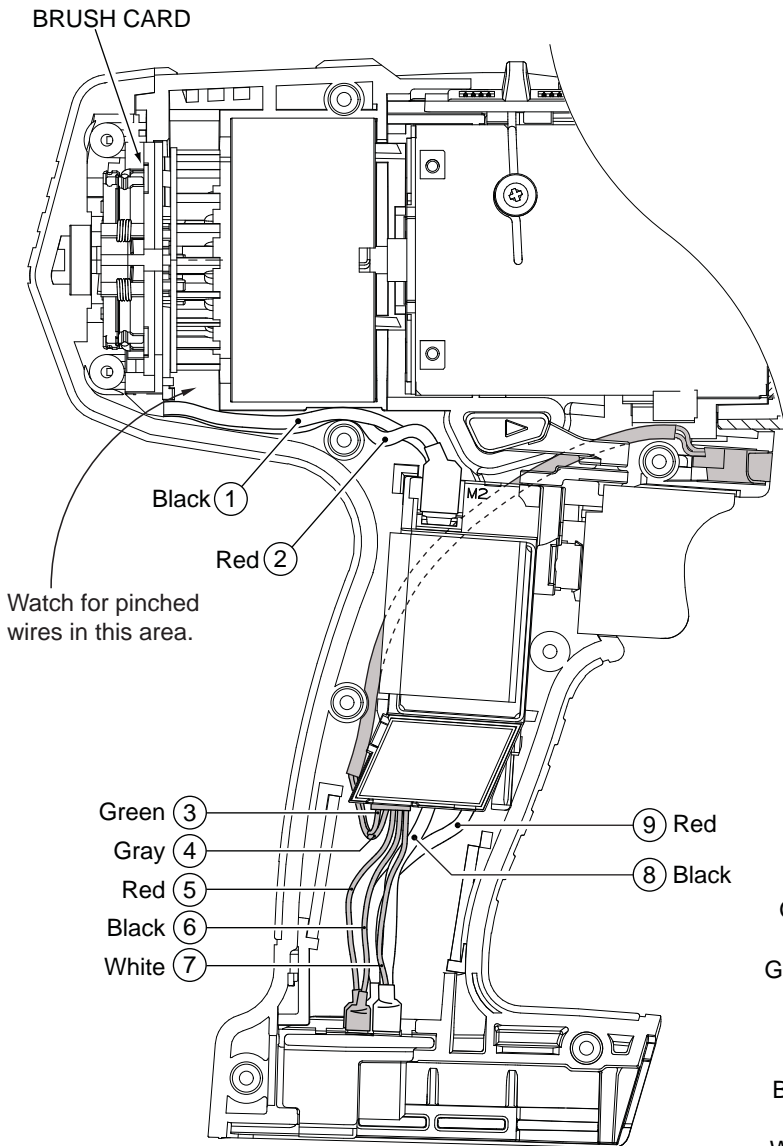


Wrong

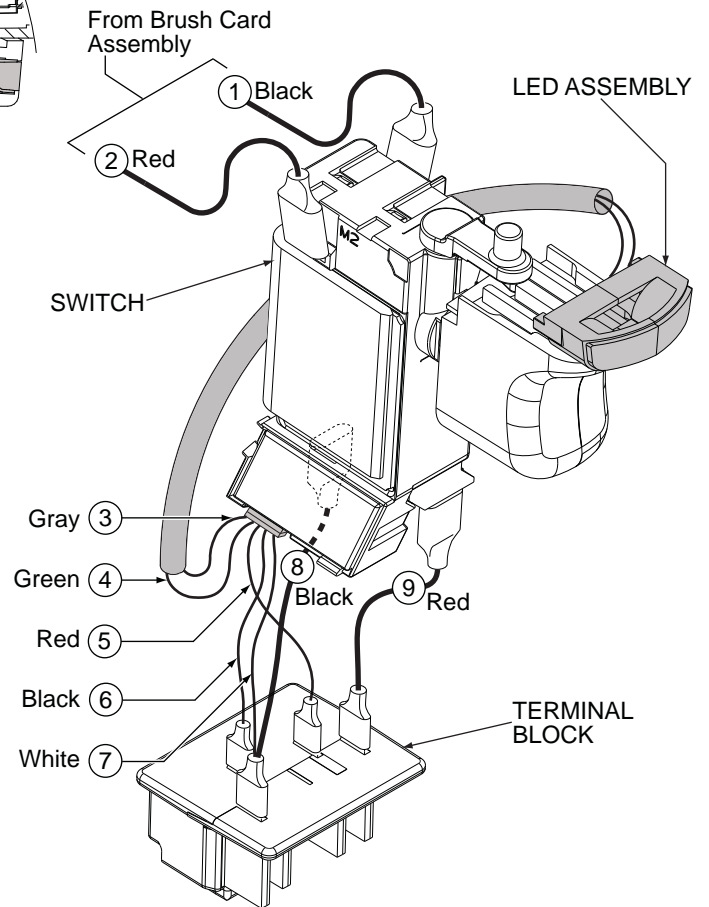
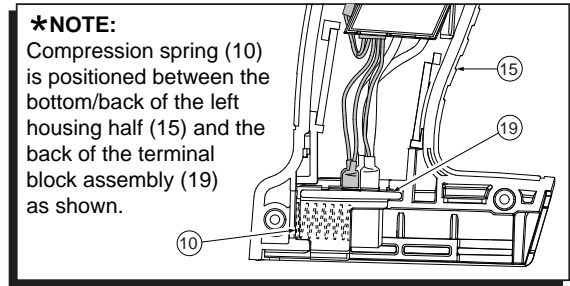


Correct

Short leg of spring to the bottom



Watch for pinched wires in this area.



WIRING SPECIFICATIONS

Wire No.	Wire Color	Origin or Gauge	Length	Terminals, Connectors and 1 or 2 End Wire Preparation
1	Black	-----	-----	Component of the Brush Card Assembly.
2	Red	-----	-----	Component of the Brush Card Assembly.
3	Green	-----	-----	Component of the LED Assy./Switch Assembly.
4	Gray	-----	-----	Component of the LED Assy./Switch Assembly.
5	Red	-----	-----	Component of the LED Assy./Switch Assembly.
6	Black	-----	-----	Component of the LED Assy./Switch Assembly.
7	White	-----	-----	Component of the LED Assy./Switch Assembly.
8	Black	-----	-----	Component of the Switch Assembly.
9	Red	-----	-----	Component of the Switch Assembly.