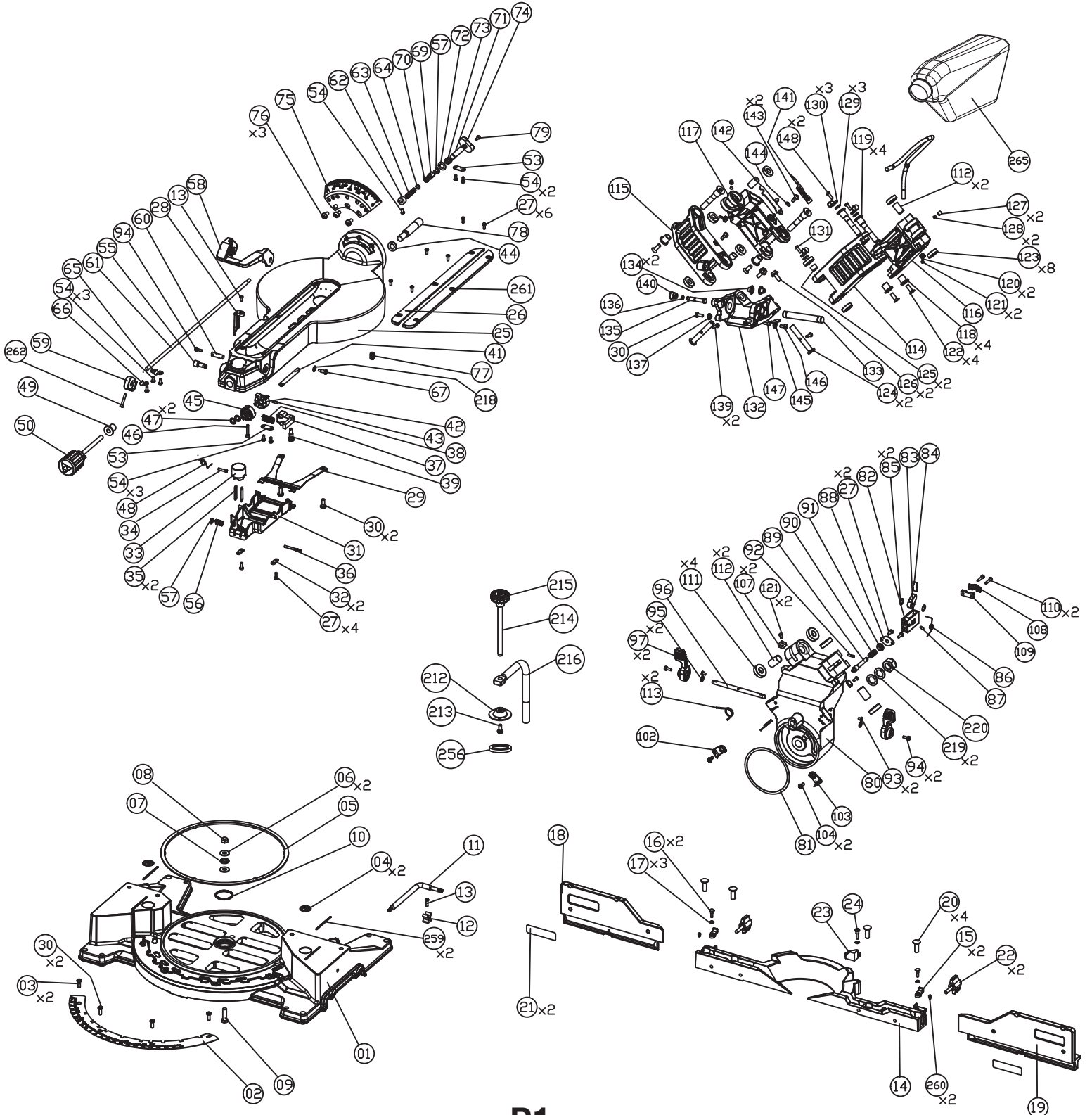
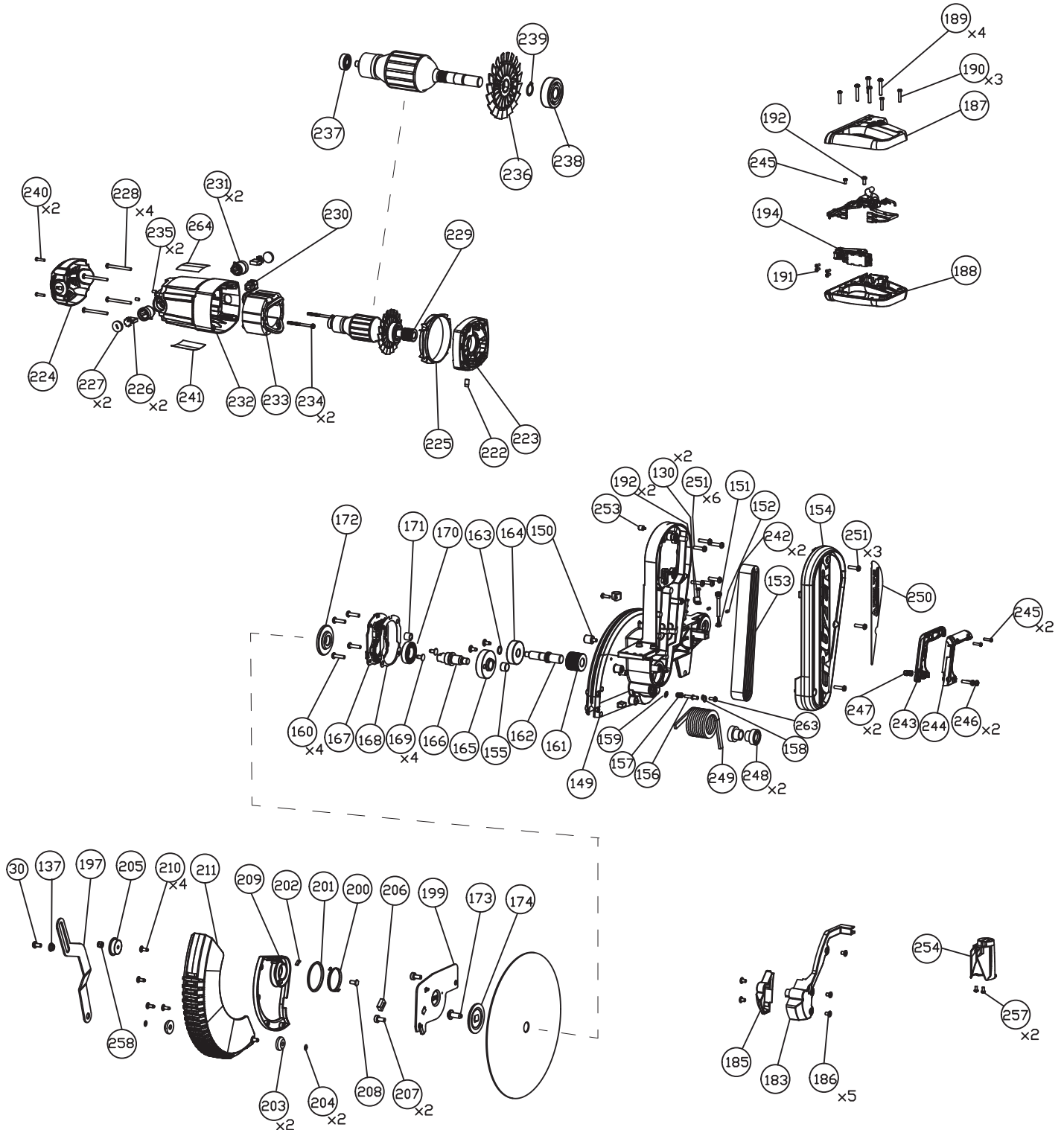


26-2240 10" Sliding Cruiser Miter Saw



26-2240 10" Sliding Cruiser Miter Saw



REPLACEMENT PARTS

ITEM #	DELTA PART #	DESCRIPTION	QTY	ITEM #	DELTA PART #	DESCRIPTION	QTY
1	DPEC004899	Base	1	64	***	Flat Washer 7 X 10 X 1t	1
2	DPEC004900	Miter Scale	1	65	DPEC004943	Pressing Plate	1
3	***	Screw T30 M6 X 20	2	66	DPEC004948	Pressing Plate (small)	1
4	DPEC004692	No Hands Warning Icon Label	2	67	DPEC004940	Torx Shoulder Screw	1
5	DPEC004901	Wear Ring	1	69	DPEC003527	Hex Cap Nut M6	1
6	***	Flat Washer 8.2 X 20 X 1.5t	2	70	***	Hex Nut M6	1
7	DPEC004902	Thrust Bearing	1	71	DPEC004942	Bevel Adjustment Rod (short)	1
8	***	Lock Nut M8	1	72	***	Flat Washer 10 X 18 X 0.5t	1
9	***	Hex Socket Cap Screw M8 X 27.5	1	73	DPEC004944	Compression Spring	1
10	DPEC004903	O-Ring	1	74	DPEC004945	Bevel Pressing Plate	1
11	***	Blade Wrench	1	75	DPEC004946	Bevel Fixed Plate	1
12	DPEC004904	Wrench Mount Plate	1	76	***	Torx Self-Tap Screw M6 X 12	3
13	***	Torx Self-Tap Screw M4 X 16	2	77	***	Set Screw M8 X 15	1
14	DPEC004905	Fence	1	78	DPEC004947	Pivot Shaft	1
15	DPEC004906	Stop Block	2	79	***	Flat Head Torx Screw M4 X 12	1
16	DPEC004907	Flat Head Shoulder Screw M4 X 16	2	80	DPEC004949	Pivot Support	1
17	***	Wave Washer 5.4 X 9.0 X 3t	3	81	DPEC004950	Pivot Support Plate	1
18	DPEC004908	Sliding Fence (left)	1	82	DPEC004951	Bevel Cam Holder	1
19	DPEC004909	Sliding Fence (right)	1	83	DPEC004952	Bevel Cam	1
20	***	Flat Head Torx Screw M8 X 25	4	84	DPEC004953	Wear Ring	1
21	DPEC004693	Sliding Fence Warning Label	2	85	***	Flat Washer 9 X 14 X 0.5t	2
22	DPEC004910	Sliding Fence Knob	2	86	DPEC004954	Bevel Cam Spring	1
23	DPEC004911	Rear Stop Block	1	87	***	Torx Screw M4 X 13	1
24	DPEC004912	Torx Shoulder Screw M4 X 20	1	88	DPEC004955	Bevel Position Shaft Fixed Plate	1
25	DPEC004913	Table	1	89	DPEC004956	Bevel Position Shaft	1
26	DPEC004914	Throat Plate (left)	1	90	DPEC004957	Position Shaft Spring	1
27	***	Torx Self-Tap Screw M4 X 10	10	91	DPEC004958	Sleeve	1
28	DPEC004916	Miter Pointer	1	92	DPEC004959	Pin 4 X 14.5	1
29	DPEC004917	Fixed Plate	1	93	***	Torx Self-Tap Screw M4 X 6	2
30	***	Torx Self-Tap Screw M6 X 16	6	94	***	Torx Self-Tap Screw M4 X 13 w/ washer	3
31	DPEC004918	Button Pressing Plate	1	95	***	Flat Washer 8 X 12 X 1t	2
32	DPEC004919	Pressing Plate (small)	2	96	DPEC004960	Bevel Cam Shaft	1
33	DPEC004920	Up/Down Knob	1	97	DPEC004961	Bevel Latch Lever	2
34	DPEC004921	Pin 4 X 20	1	102	DPEC004962	Bevel Pointer (left)	1
35	DPEC004922	Connection Plate	2	103	DPEC004963	Bevel Pointer (right)	1
36	DPEC004923	Knob Pin 4 X 40	1	104	DPEC004964	Shoulder Screw M5 X 12	2
37	DPEC004924	Fixed Holder	1	107	DPEC004969	Stopper	2
38	DPEC004925	Compression Spring	1	108	DPEC004232	Wire Clamp	1
39	DPEC004926	Shoulder Screw	1	109	DPEC004965	Wire Clamp Holder	1
41	DPEC004927	Miter Fixed Shaft	1	110	***	Torx Self-Tap Screw M4 X 20	2
42	DPEC004928	Cam (moveable)	1	111	DPEC005070	Ball Bearing	4
43	DPEC004929	Spring Pin 4 X 14	1	112	DPEC004967	Spacer	2
44	***	Flat Washer 12 X 25 X 2t	1	113	DPEC004968	Glide Torsion Spring	2
45	DPEC004930	Cam (fixed)	1	114	DPEC004970	Front Axial Glide (right)	1
46	***	Hex Socket Cap Screw M4 X 25	1	115	DPEC004971	Front Axial Glide (left)	1
47	***	Flat Washer 8 X 14 X 0.25t	2	116	DPEC004972	Rear Axial Glide (right)	1
48	DPEC004931	Miter Torsion Spring	1	117	DPEC004973	Rear Axial Glide (left)	1
49	DPEC004932	Copper Sleeve	1	118	DPEC004974	Fixed Sleeve	4
50	DPEC004933	Miter Fixed Handle	1	119	DPEC004975	Fixed Shaft	4
53	DPEC004934	Pressing Plate (large)	2	120	DPEC004985	Glide Stopper	2
54	***	Torx Self-Tap Screw M4 X 8	9	121	***	Torx Screw M4 X 12	4
55	DPEC004935	Miter Shaft	1	122	***	Flat Head Torx Screw M8 X 17.5	4
56	DPEC004936	Compression Spring	1	123	DPEC005070	Ball Bearing	8
57	DPEC004654	E-Ring E-7	2	124	DPEC005022	Fixed Shaft	2
58	DPEC004937	Bevel Lock Handle	1	125	DPEC004977	Spacer (short)	2
59	DPEC004938	Cam Movement Plate	1	126	DPEC004978	Hex Cap Screw M8 X 20 (top M5 X 10)	2
60	DPEC004939	Bevel Lock Shaft	1	127	***	Set Screw M8 X 10	2
61	DPEC004941	Bevel Adjustment Rod	1	128	DPEC004989	Tight Adjustment Plate	2
62	DPEC003525	Spring Fixed Plate	1	129	***	Flat Washer 5 X 16	2
63	DPEC003526	Compression Spring	1	130	DPEC004623	Clamp	5

***= Item is standard hardware and should be purchased from a local hardware or home improvement store. Colors may vary.

REPLACEMENT PARTS

ITEM #	DELTA PART #	DESCRIPTION	QTY	ITEM #	DELTA PART #	DESCRIPTION	QTY
131	***	Torx Screw M5 X 12	1	205	DPEC005036	Sleeve	1
132	DPEC004979	Trunnion	1	206	DPEC005082	Cushion	1
133	DPEC004980	Trunnion Shaft	1	207	***	Torx Screw M6 X 16	2
134	DPEC004991	Torsion Plate	2	208	DPEC005037	Screw M6 X 12.5	1
135	DPEC004983	Arm Stop Pin	1	209	DPEC005040	Guard Plate	1
136	DPEC004984	O-ring P6	1	210	DPEC005038	Guard Plate Screw M5 X 13.5	4
137	DPEC004261	Link Arm Sleeve	2	211	DPEC005039	Blade Guard	1
139	***	Torx Screw M5 X 25	2	212	DPEC005041	Pressing Plate	1
140	DPEC003102	Glide Stop Pin Cap	1	213	***	Phillips Pan Head Screw M6 X 16	1
141	DPEC004786	Slide Position Lock Label	1	214	DPEC005042	Thread Rod	1
142	DPEC004986	Lock Plate	1	215	DPEC005043	Clamp Knob	1
143	***	Torx Shoulder Screw M6 X 9.6	2	216	DPEC005045	Integrated Fixed Rod	1
144	***	Wave Washer 9 X 12.5 X 0.18t	1	218	***	Wave Washer 6.2 X 12.5 X 0.7t	1
145	DPEC004987	Height Adjustment Plate	1	219	***	Flat Washer 16 X 25 X 2t	2
146	DPEC004988	Shoulder Screw M6 X 10 (8 X 3.5)	1	220	***	Lock Nut M16	1
147	***	Torx Socket Cap Screw M5 X 15	1	222	***	Torx Set Screw M8 X 15 X 1.25P	1
148	***	Torx Screw M5 X 20	2	223	DPEC005023	Motor Holder	1
149	DPEC004990	Arm	1	224	DPEC005024	Motor End Cap	1
150	DPEC004992	Up Stop Fixed Plate	1	225	DPEC005025	Fan Casing	1
151	DPEC004993	Height Adjustment Screw	1	226	DPEC003962	Carbon Brush	2
152	DPEC004994	Wing Cap	1	227	DPEC003961	Carbon Brush Cap	2
153	DPEC004995	Belt	1	228	***	Torx Self-Tap Screw M5 X 55	4
154	DPEC004996	Belt Housing	1	229	DPEC005026	Belt Wheel	1
155	DPEC003439	Needle Bearing	1	230	DPEC005030	Wire-Pulling	1
156	DPEC004997	Spindle Lock Pin	1	231	DPEC004857	Brush Holder	2
157	DPEC004998	Compression Spring	1	232	DPEC005031	Motor Housing	1
158	DPEC004999	Spindle Lock Pressing Plate	1	233	DPEC005032	Stator Assembly	1
159	DPEC005000	Felt Pad	1	234	***	Torx Self-Tap Screw M5 X 60	2
160	***	Torx Screw M5 X 16	4	235	***	Fixed Screw M5 X 8	2
161	DPEC005001	Gear Spindle Belt Wheel	1	236	DPEC005027	Fan	1
162	DPEC005002	Gear Spindle	1	237	DPEC003800	Ball Bearing	1
163	DPEC005003	C-ring	1	238	DPEC005028	Ball Bearing	1
164	DPEC005004	Ball Bearing	1	239	DPEC005029	C-Ring	1
165	DPEC005005	Reduction Gear	1	240	***	Torx Self-Tap Screw M4 X 18	2
166	DPEC005006	Transmission Shaft	1	241	DPEC004686	Data/Spec Label	1
167	DPEC005007	Shaft Cover	1	242	***	Set Screw M6 X 10	2
168	DPEC005008	Spacer	1	243	DPEC005049	Carry Handle (left)	1
169	DPEC005009	Shoulder Screw	4	244	DPEC005050	Carry Handle (right)	1
170	DPEC005010	Ball Bearing	1	245	***	Torx Self-Tap Screw M4.5 X 15	3
171	DPEC004039	Needle Bearing	1	246	***	Torx Screw M6 X 26	2
172	DPEC005011	Inner Blade Flange	1	247	***	Lock Nut M6	2
173	DPEC005012	Blade Nut	1	248	DPEC004981	Spring Sleeve	2
174	DPEC005013	Outer Blade Flange	1	249	DPEC004982	Torsion Spring	1
183	DPEC005014	Laser Cover (right)	1	251	***	Torx Screw M5 X 20	9
185	DPEC005015	Laser Cover (left)	1	253	DPEC005048	Torx Screw M5 X 8	1
186	***	Flat Head Self-Tap Screw M4 X 8	5	254	DPEC005047	Dust Chute	1
187	DPEC005016	Upper Handle	1	256	DPEC005044	Rubber Foot	1
188	DPEC005017	Lower Handle	1	257	***	Torx Screw M5 X 10	2
189	***	Torx Self-Tap Screw M5 X 30	4	258	***	Lock Nut M6	1
190	***	Torx Self-Tap Screw M4.5 X 22	3	259	DPEC004691	Boundary Line Warning Label	2
191	***	Round Head Torx Screw M3.5 X 7	4	260	***	Hex Socket Cap Screw M3 X 4	2
192	***	Torx Self-Tap Screw M5 X 12	3	261	DPEC004915	Throat Plate (right)	1
194	DPEC005018	Switch	1	262	DPEC005046	Shoulder Cap Screw M5 X 30	1
197	DPEC005019	Link Arm	1	263	***	Torx Screw M4 X 12	1
199	DPEC005020	Rotating Cover	1	264	DPEC004689	Main Warning Label English	1
200	DPEC005021	Tension Spring	1	265	DPEC005051	Dust Bag	1
201	DPEC005033	Wear Ring	1	n/a	DPEC004690	Main Warning Label FR/SP	1
202	DPEC005034	Dust Sponge	1	n/a	DPEC004696	Lower Guard Warning Label	1
203	DPEC005035	Rotation Wheel	2	n/a	DPEC004695	Pinch Point Icon Label	2
204	DPEC003587	Retaining Ring D4.8	2	n/a	DPEC002886	Blade Screw Direction Label	1
				n/a	DPEC004693	Sliding Fence Warning Label	2

***= Item is standard hardware and should be purchased from a local hardware or home improvement store. Colors may vary.