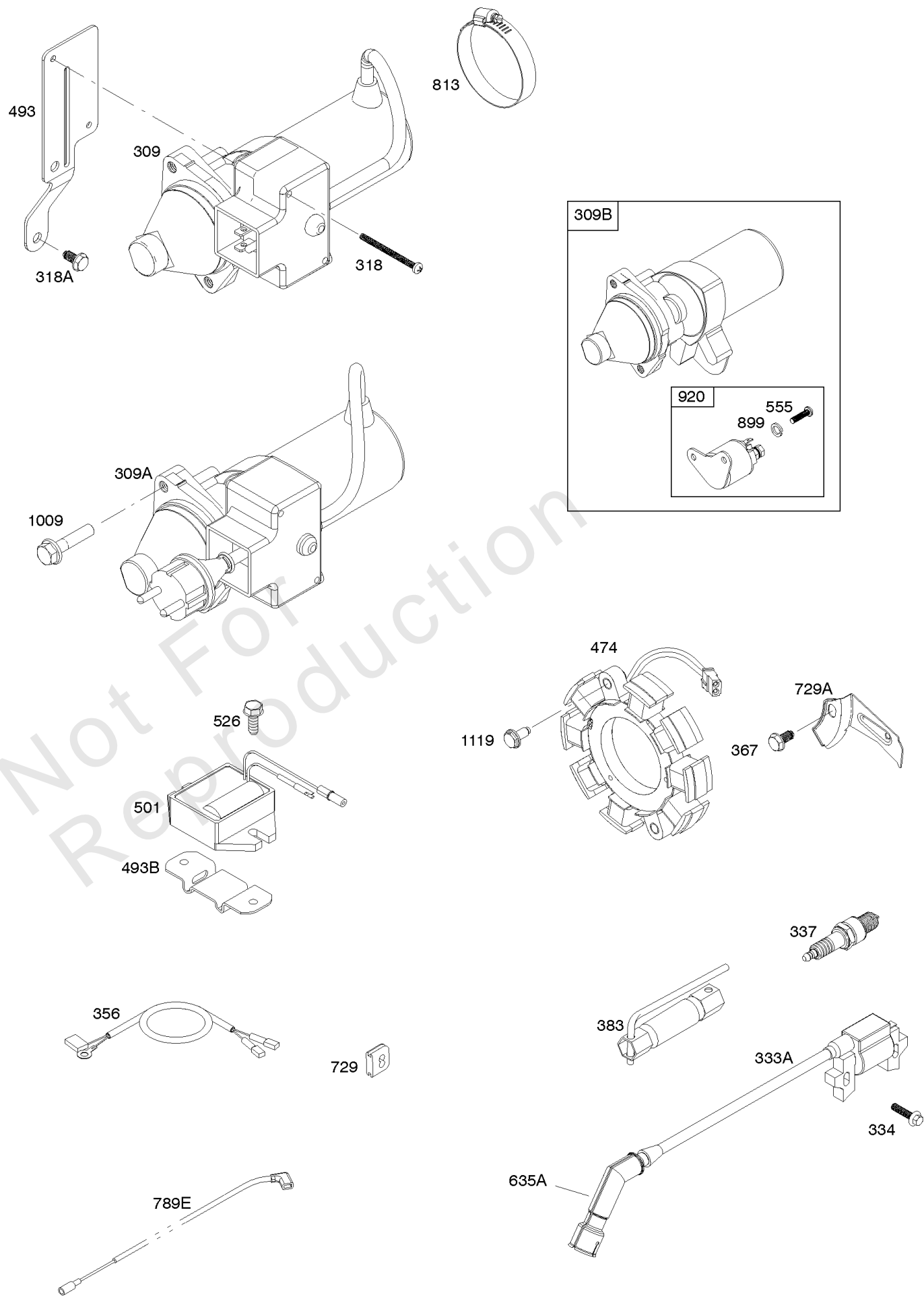




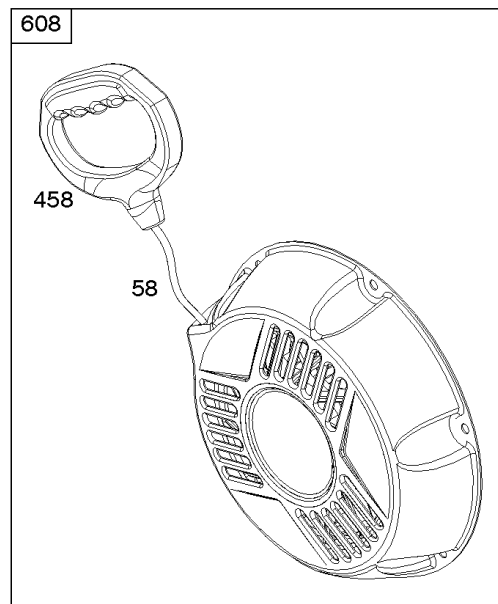
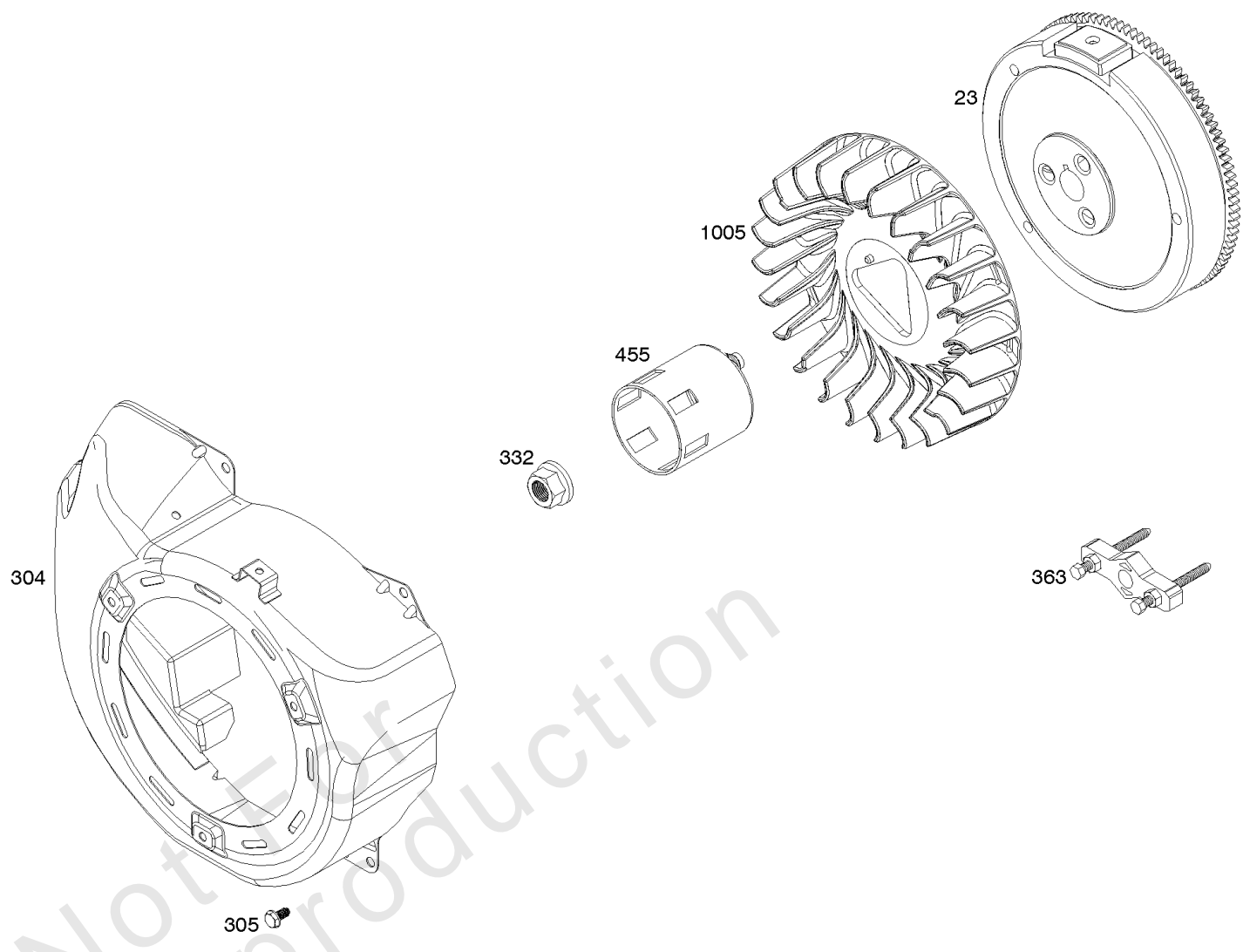
# Parts Manual

Mfg. No: 25M137-0114-H1



## Alternator, Electrical Starter, Ignition

REF NO	PART NO	QTY	DESCRIPTION
309A	591864		MOTOR, Starter
318	799814		SCREW -(Mounting Bracket)
318A	798618		SCREW -(Mounting Bracket)
333A	798616		ARMATURE, Magneto
334	797655		SCREW -(Magneto Armature)
337	696202		PLUG, Spark
356	799789		WIRE, Stop
367	798618		SCREW -(Wire Clip)
383	19576S		WRENCH, Spark Plug
474	799843		ALTERNATOR
493	799815		BRACKET, Mounting
493B	691177		BRACKET, Mounting
526	690297		SCREW -(Regulator)
555	799532		SCREW -(Starter Solenoid)
635A	797685		BOOT, Spark Plug
729	797750		CLIP, Wire
729A	799844		CLIP, Wire
813	590392		CLAMP
899	799642		WASHER -(Starter Solenoid)
920	799481		SOLENOID, Starter
1009	797776		SCREW -(Starter Motor)
1119	799845		SCREW -(Alternator)



## ***Blower Housing, Flywheel, Rewind Starter***

REF NO	PART NO	QTY	DESCRIPTION
23	799926		FLYWHEEL
58	691921		ROPE, Starter -(Cut To Required Length)
65	799923		SCREW -(Rewind Starter)
304	799920		HOUSING, Blower
305	798618		SCREW -(Blower Housing)
332	797811		NUT -(Flywheel)
363	19203		PULLER, Flywheel
455	799780		CUP, Flywheel
458	699334		GRIP, Starter Rope
608	799779		STARTER, Rewind
1005	797748		FAN, Flywheel

Not For Reproduction

1319 WARNING LABEL

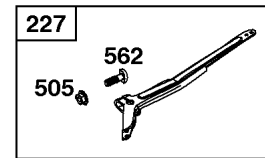
REQUIRED when replacing parts with warning labels affixed.

1319A WARNING LABEL

REQUIRED when replacing parts with warning labels affixed.

1058 OPERATOR'S MANUAL

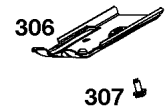
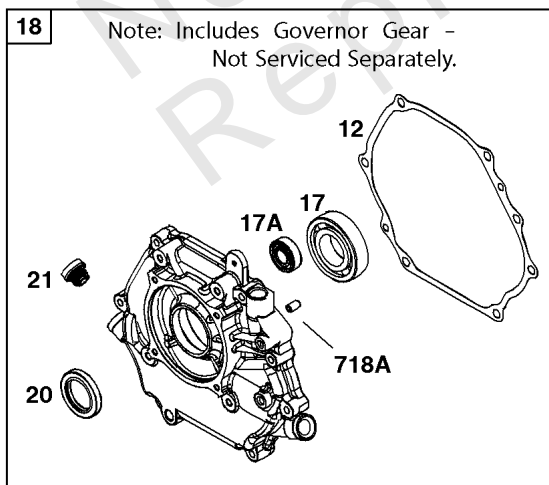
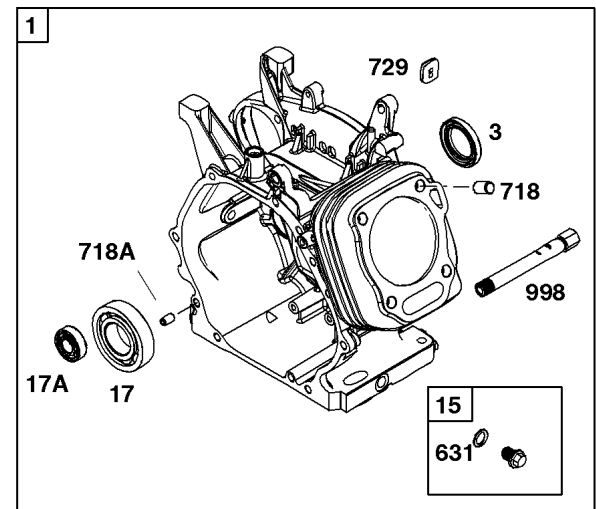
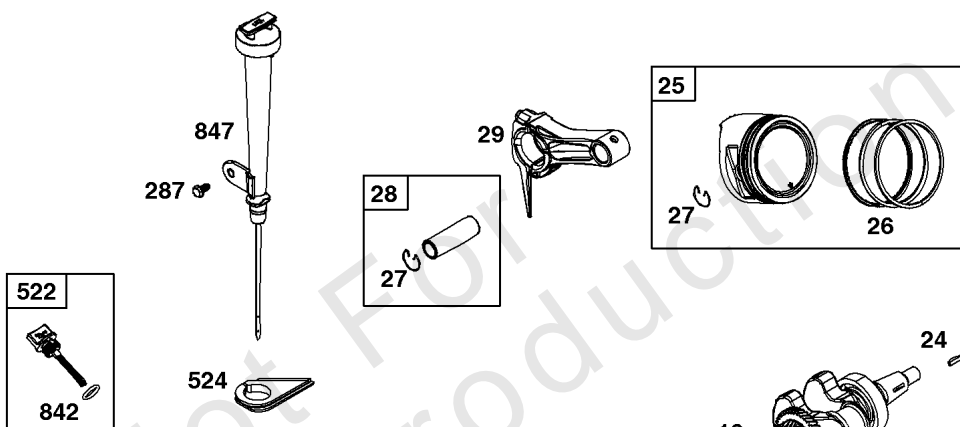
1036 EMISSIONS LABEL



614

276A

616



## Camshaft, Crankcase Cover, Crankshaft, Cylinder, Lubrication, Operator's Manual, Piston/

REF NO	PART NO	QTY	DESCRIPTION
1	594185		CYLINDER ASSEMBLY -Used After Code Date 13101000
1	799808		CYLINDER ASSEMBLY -Used Before Code Date 13101100
3	797766		SEAL, Oil -(Magneto Side)
12	797789		GASKET, Crankcase
15	797793		PLUG, Oil Drain
16	799842		CRANKSHAFT
17	797765		BEARING, Ball -(Crankshaft)
17A	797764		BEARING, Ball -(Counterweight)
18	799812		COVER, Crankcase -(Includes Governor Gear - Not Serviced Separately)
20	797766		SEAL, Oil -(PTO Side)
21	799857		CAP, Oil Fill
22	797795		SCREW -(Crankcase Cover/Sump)
24	797812		KEY, Flywheel
25	799536		PISTON ASSEMBLY -(.010 Oversize)
25	799537		PISTON ASSEMBLY -(.020 Oversize)
25	799535		PISTON ASSEMBLY -(Standard)
26	799538		SET, Ring -(Standard)
26	799539		SET, Ring -(.010 Oversize)
26	799540		SET, Ring -(.020 Oversize)
27	797803		LOCK, Piston Pin
28	797799		PIN, Piston
29	797804		ROD, Connecting
46	797851		CAMSHAFT
227	799924		LEVER, Governor Control
276A	797806		WASHER, Sealing -(Governor Crank)
287	798618		SCREW -(Dipstick Tube)
306	797749		SHIELD, Cylinder
307	798618		SCREW -(Cylinder Shield)
505	690939		NUT -(Governor Control Lever)
512	591863		HOSE, Oil Drain
522	799941		PLUG, Dipstick/Fill
524	597262		SEAL, O-Ring -(Dipstick Tube)
562	797230		BOLT -(Governor Control Lever)
614	797229		PIN, Cotter
616	797805		CRANK, Governor
631	797794		WASHER -(Oil Drain Plug)

1319 WARNING LABEL

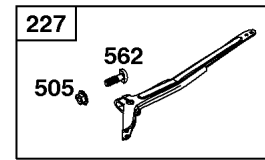
REQUIRED when replacing parts with warning labels affixed.

1319A WARNING LABEL

REQUIRED when replacing parts with warning labels affixed.

1058 OPERATOR'S MANUAL

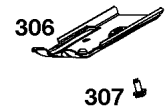
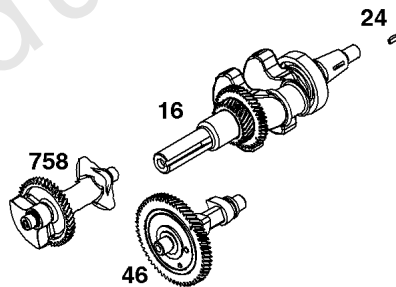
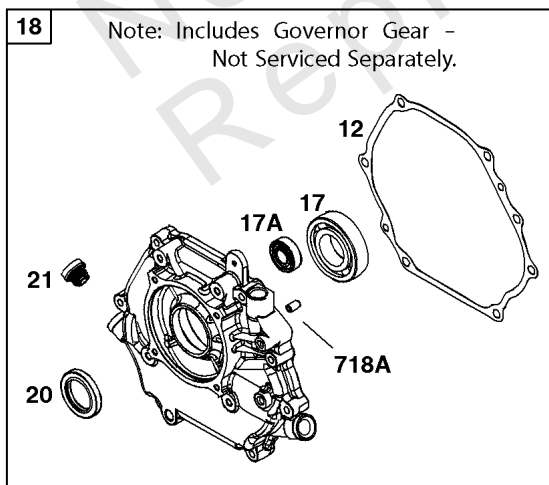
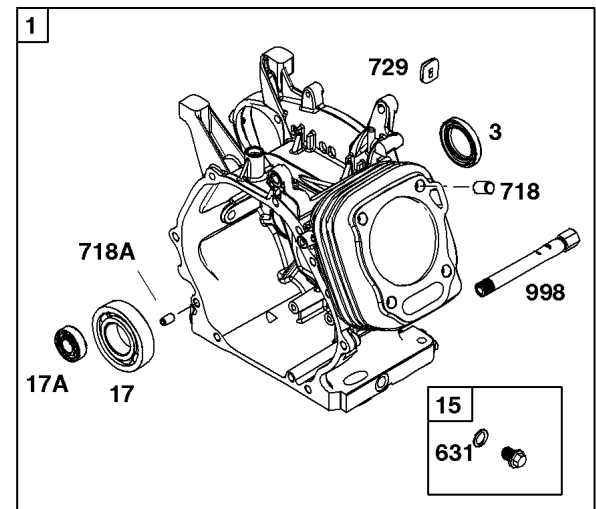
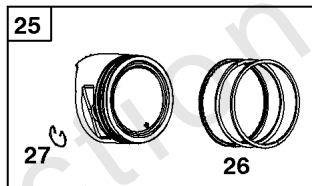
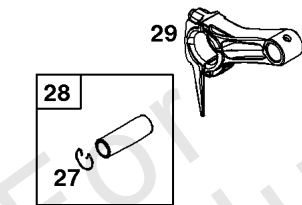
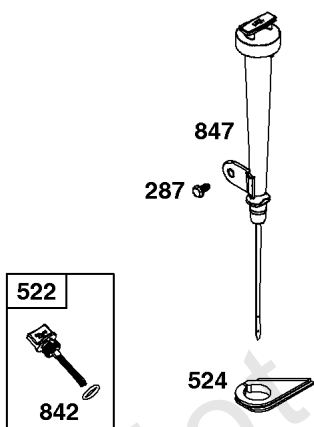
1036 EMISSIONS LABEL



614

276A

616

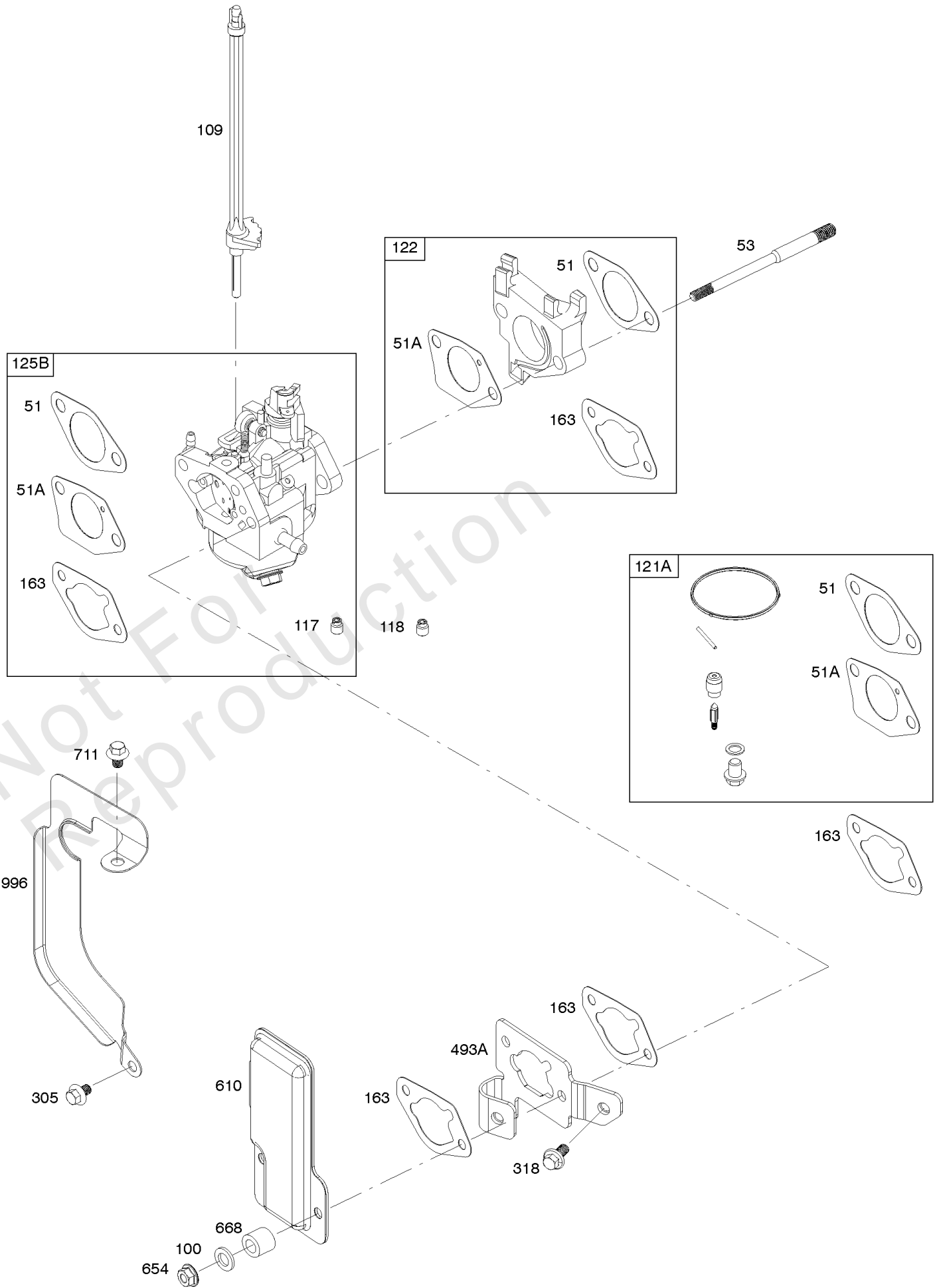




## ***Camshaft, Crankcase Cover, Crankshaft, Cylinder, Lubrication, Operator's Manual, Piston/***

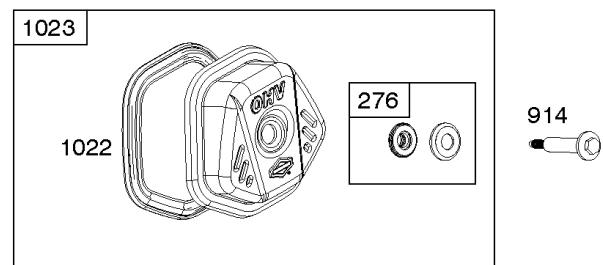
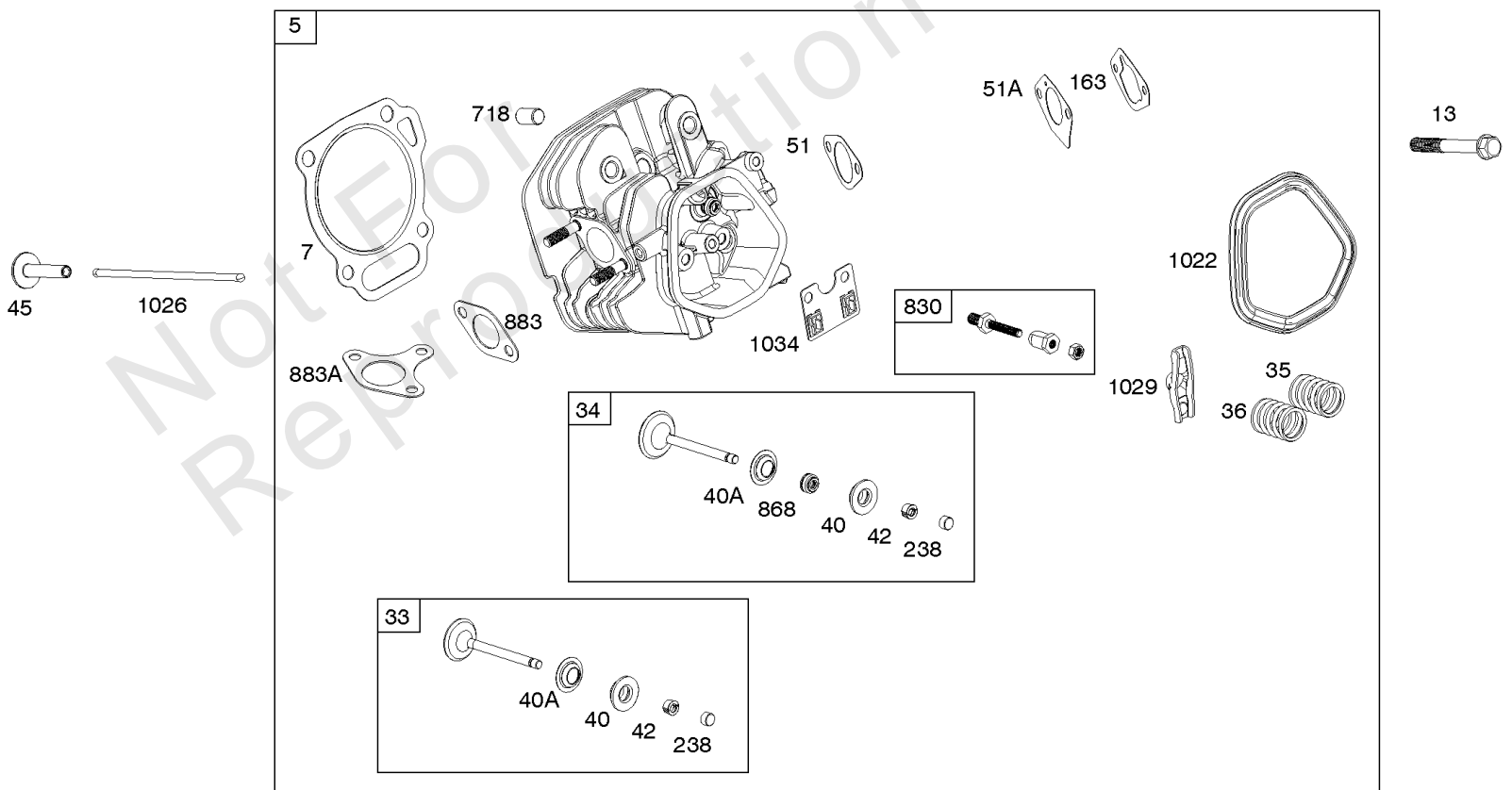
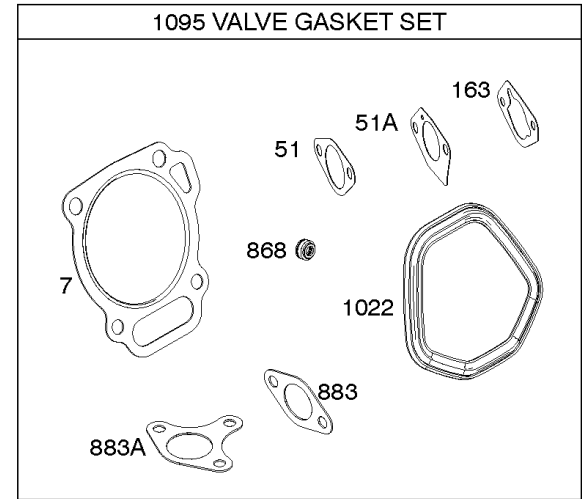
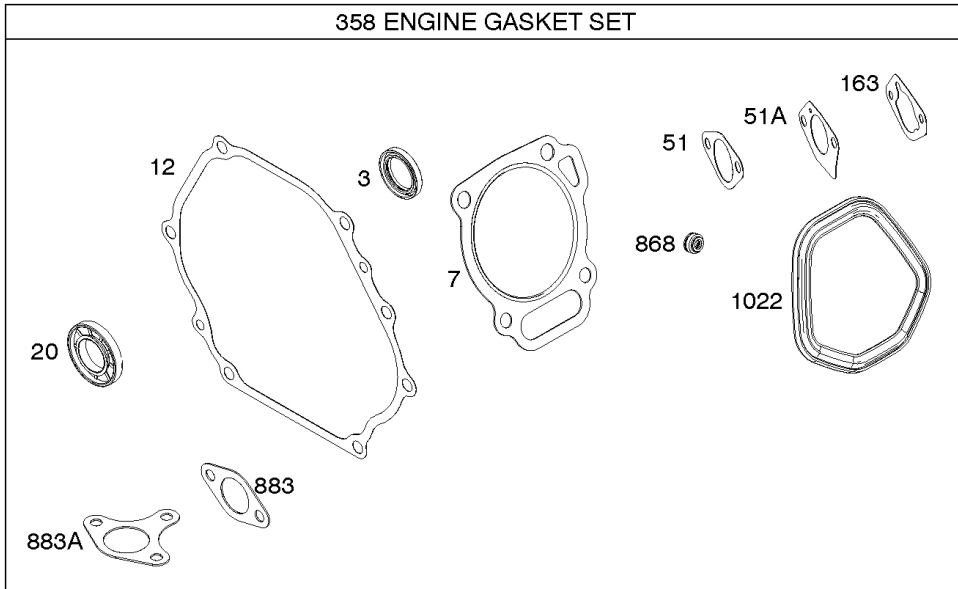
<b>REF NO</b>	<b>PART NO</b>	<b>QTY</b>	<b>DESCRIPTION</b>
718	797792		PIN, Locating -(Cylinder Head)
718A	797761		PIN, Locating -(Crankcase Cover)
729	797750		CLIP, Wire
758	797852		COUNTERWEIGHT
842	797327		SEAL, O-Ring -(Dipstick Tube)
847	799810		DIPSTICK/TUBE ASSEMBLY
998	799809		PIPE, Oil
1036	-----		Label-Emissions -(Available From A Briggs & Stratton Authorized Dealer)
1058	279903TRI		MANUAL, Operator's
1058	279903EST		MANUAL, Operator's
1058	279903WST		MANUAL, Operator's
1319	794467		LABEL, Warning
1319A	797669		LABEL, Warning

Not For Reproduction



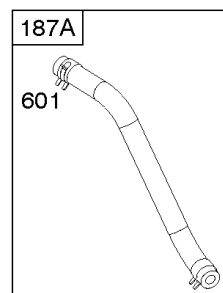
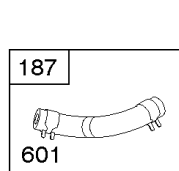
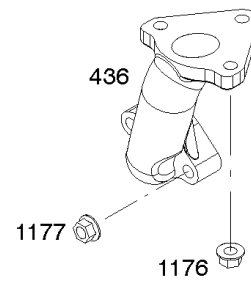
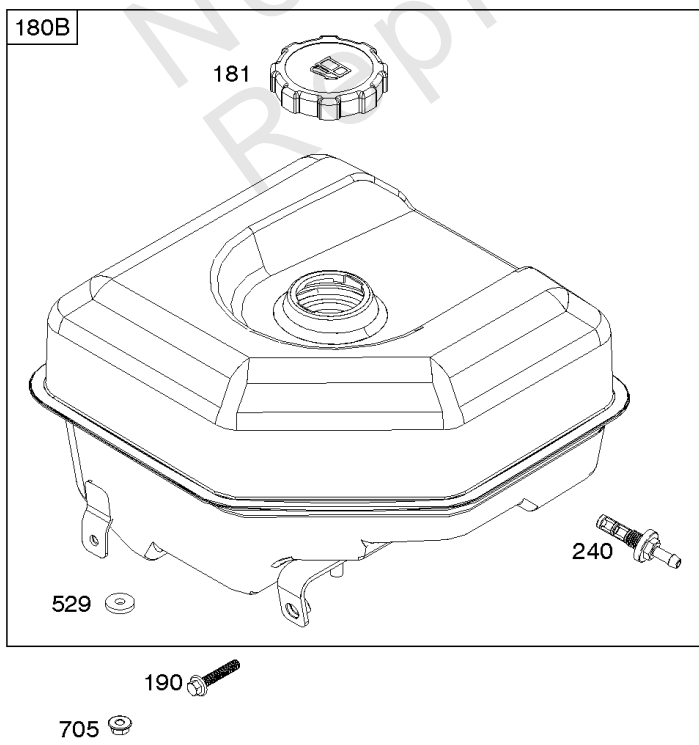
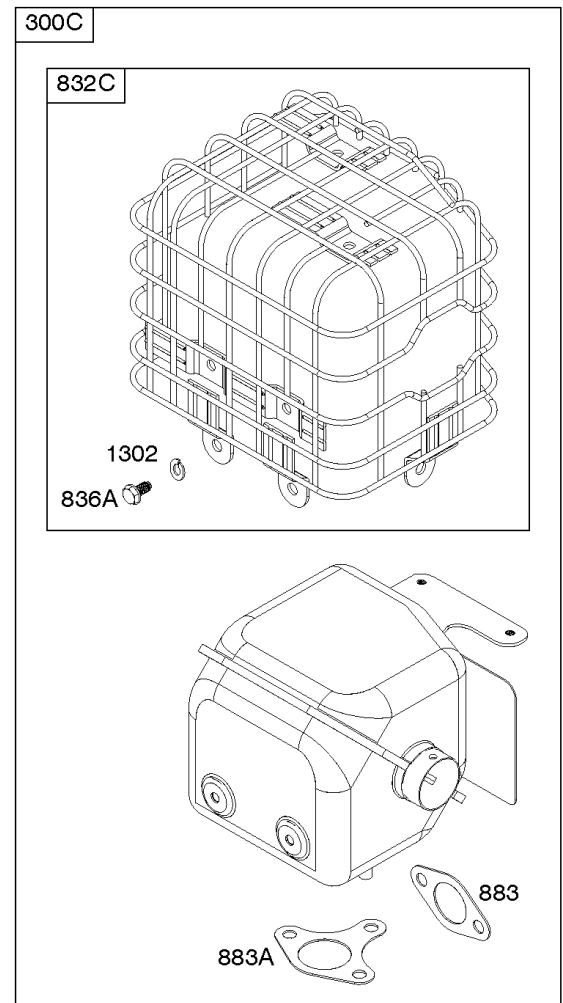
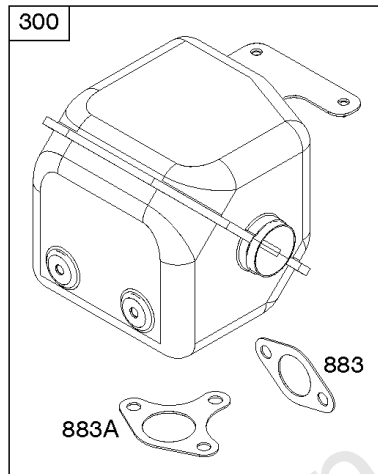
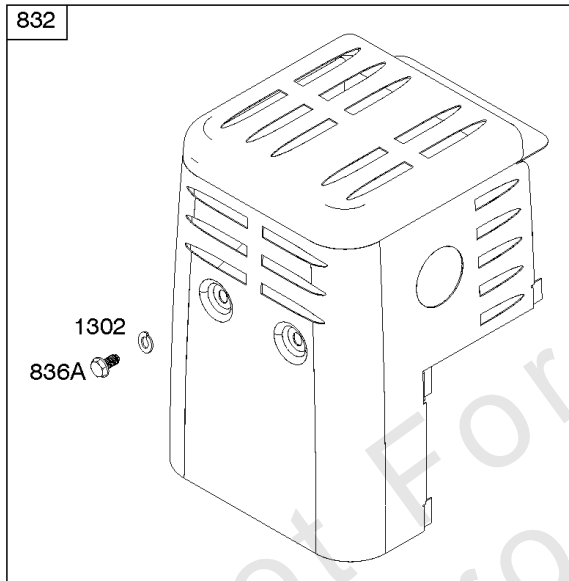
## Carburetor

REF NO	PART NO	QTY	DESCRIPTION
51	797845		GASKET, Intake
51A	797755		GASKET, Intake
53	591841		STUD -(Carburetor)
100	591000		WASHER -(Carburetor)
109	799803		SHAFT, Choke
117	591553		JET, Main -(Standard) -Used Before Code Date 20011600
117	84005073		JET, Main -(Standard) -Used After Code Date 20011500
118	591554		JET, Main -(High Altitude) -Used Before Code Date 20011600
118	592231		JET, Main -(High Altitude) -Used After Code Date 20011500
121A	590453		KIT, Carburetor Overhaul
122	799961		SPACER, Carburetor
125B	799802		CARBURETOR
163	797756		GASKET, Air Cleaner
305	798618		SCREW -(Blower Housing)
318	799814		SCREW -(Mounting Bracket)
493A	799806		BRACKET, Mounting
610	799805		ARRESTOR, Intake
654	690939		NUT -(Carburetor)
668	591840		SPACER
711	798618		SCREW -(Carburetor Shield)
996	591844		SHIELD, Carburetor



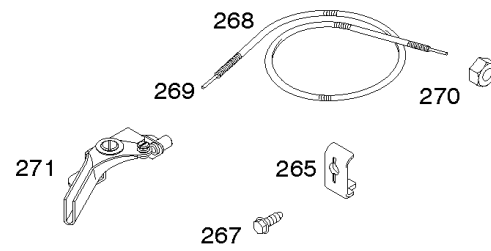
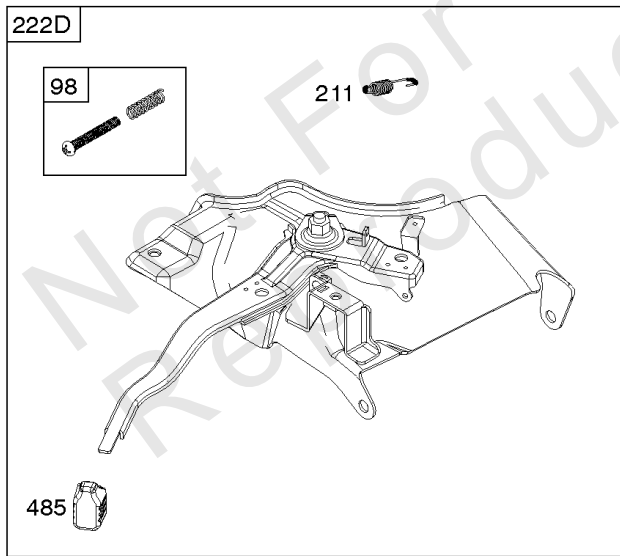
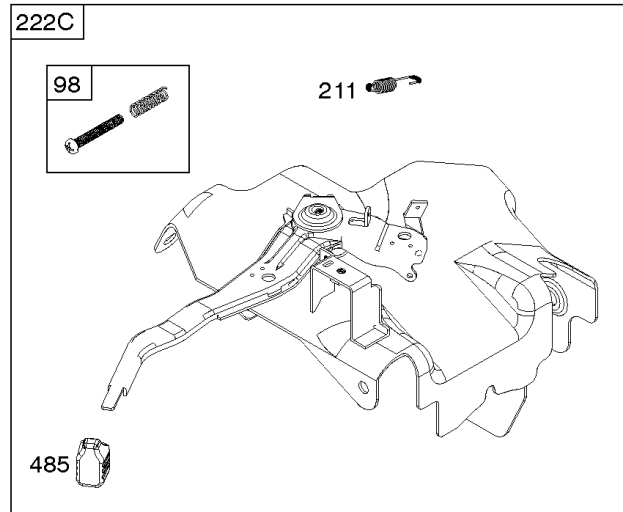
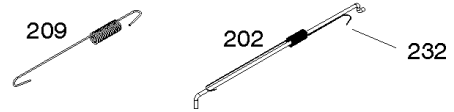
## Cylinder Head, Gasket Sets

REF NO	PART NO	QTY	DESCRIPTION
3	797766		SEAL, Oil -(Magneto Side)
5	799801		HEAD, Cylinder
7	799534		GASKET, Cylinder Head
12	797789		GASKET, Crankcase
13	797791		SCREW -(Cylinder Head)
20	797766		SEAL, Oil -(PTO Side)
33	797778		VALVE, Exhaust
34	797777		VALVE, Intake
35	797780		SPRING, Valve -(Intake)
36	797780		SPRING, Valve -(Exhaust)
40	797781		RETAINER, Valve
40A	797782		RETAINER, Valve
42	797783		KEEPER, Valve
45	797786		TAPPET, Valve
51	797845		GASKET, Intake
51A	797755		GASKET, Intake
163	797756		GASKET, Air Cleaner
238	797784		CAP, Valve
276	797847		WASHER, Sealing -(Rocker Cover)
358	799952		GASKET SET, Engine
718	797792		PIN, Locating -(Cylinder Head)
830	591088		STUD, Rocker Arm -Used After Code Date 11090200
830	798954		STUD, Rocker Arm -(Rocker Arm) -Used Before Code Date 11090300
868	797854		SEAL, Valve -(Intake)
883	797770		GASKET, Exhaust
883A	799797		GASKET, Exhaust
914	797848		SCREW -(Rocker Cover)
1022	797846		GASKET, Rocker Cover
1023	799778		COVER, Rocker
1026	797785		ROD, Push -Used Before Code Date 11090300
1026	799966		ROD, Push -Used After Code Date 11090200
1029	591087		ARM, Rocker -Used After Code Date 11090200
1029	797779		ARM, Rocker -Used Before Code Date 11090300
1034	797787		GUIDE, Push Rod
1095	799953		GASKET SET, Valve



## Exhaust System, Fuel Supply

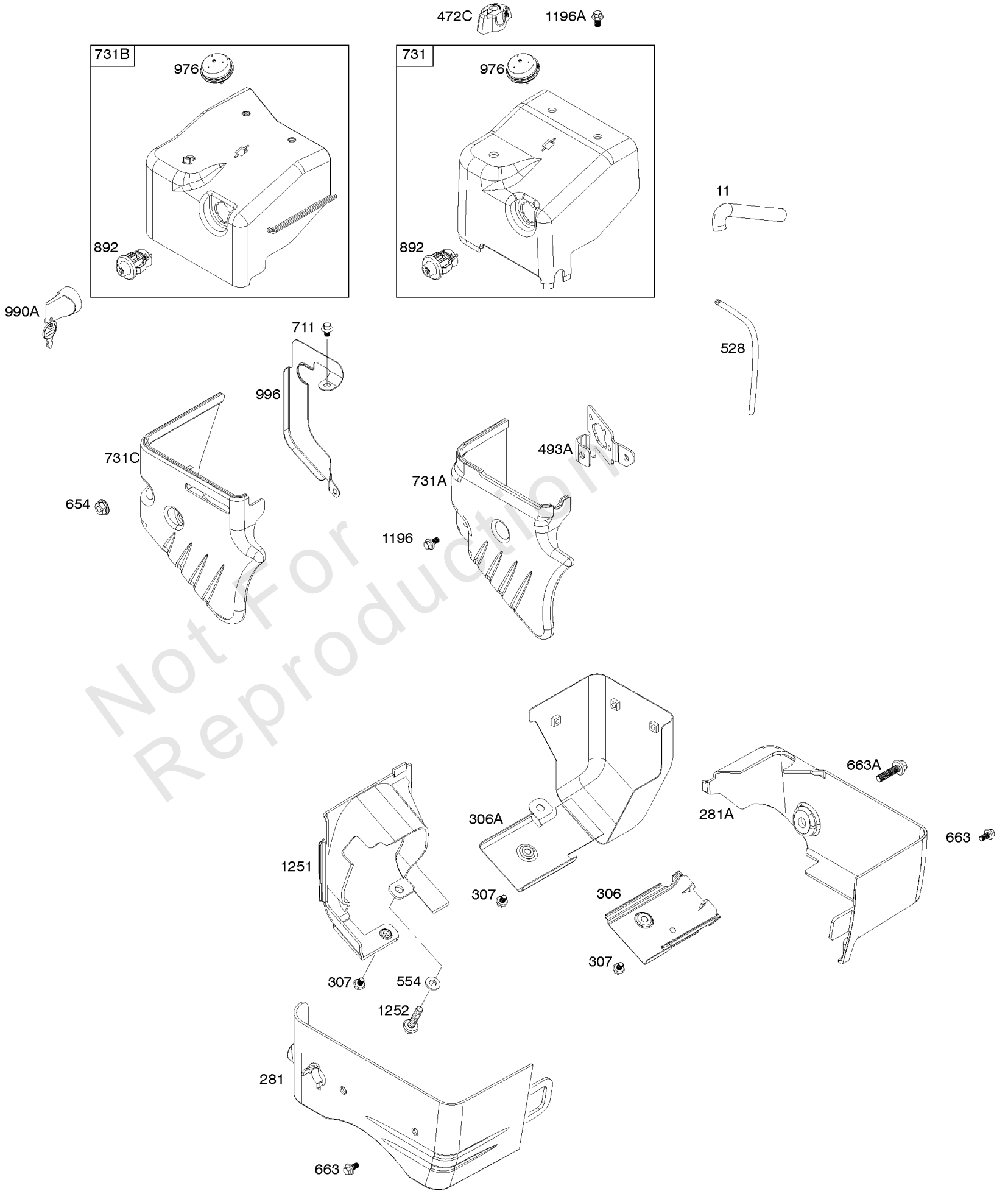
REF NO	PART NO	QTY	DESCRIPTION
180B	799782		TANK, Fuel -(Metal)
181	794641		CAP, Fuel Tank -(Metal)
187	799784		LINE, Fuel -(Formed Hose)
187A	799785		LINE, Fuel -(Formed Hose)
190	590997		SCREW -(Fuel Tank)
240	797346		OUTLET, Tank
300C	591837		MUFFLER
436	799796		MANIFOLD, Exhaust
529	799933		GROMMET
601	791850		CLAMP, Hose
705	590965		NUT -(Fuel Tank)
832	799800		GUARD, Muffler
832C	591838		MUFFLER
836A	798976		SCREW -(Muffler Guard)
883	797770		GASKET, Exhaust
883A	799797		GASKET, Exhaust
958	698180		VALVE, Fuel Shut Off
1176	590965		NUT -(Exhaust Manifold)
1177	590965		NUT -(Muffler)
1302	590457		WASHER -(Muffler Guard)





## Governor Spring, Controls

REF NO	PART NO	QTY	DESCRIPTION
98	593104		KIT, Idle Speed
188	798618		SCREW -(Control Bracket)
202	797810		LINK, Mechanical Governor
209	797843		SPRING, Governor
211	799927		SPRING, Governed Idle
222D	591857		BRACKET, Control
232	797809		SPRING, Governor Link
265	691024		CLAMP, Casing
267	699492		SCREW -(Casing Clamp)
268	691025		CASING, Control Wire -(Cut To Required Length)
269	691026		WIRE, Control -(Cut To Required Length)
270	691027		NUT -(Control Wire Casing)
271	691028		LEVER, Control
485	695755		KNOB, Control



Not For  
Reproduction

## Shrouds

REF NO	PART NO	QTY	DESCRIPTION
11	799930		TUBE, Breather
281	799792		PANEL, Control
281A	799793		PANEL, Control
306	797749		SHIELD, Cylinder
306A	591839		SHIELD, Cylinder
307	798618		SCREW -(Cylinder Shield)
472C	791948		KNOB, Choke Shaft
493A	799806		BRACKET, Mounting
528	799918		HOSE, Primer
554	590999		WASHER -(Snow Shield)
654	690939		NUT -(Carburetor)
663	799846		SCREW -(Control Panel)
663A	590997		SCREW -(Control Panel)
711	798618		SCREW -(Carburetor Shield)
731B	591843		HOOD, Snow
731C	591842		HOOD, Snow
892	798182		SWITCH, Key
976	793382		PRIMER, Carburetor
990A	798177		SET, Key
996	591844		SHIELD, Carburetor
1196	799846		SCREW -(Snow Hood)
1196A	799919		SCREW -(Snow Hood)
1251	799794		SHIELD, Snow
1252	591440		SCREW -(Snow Shield)

