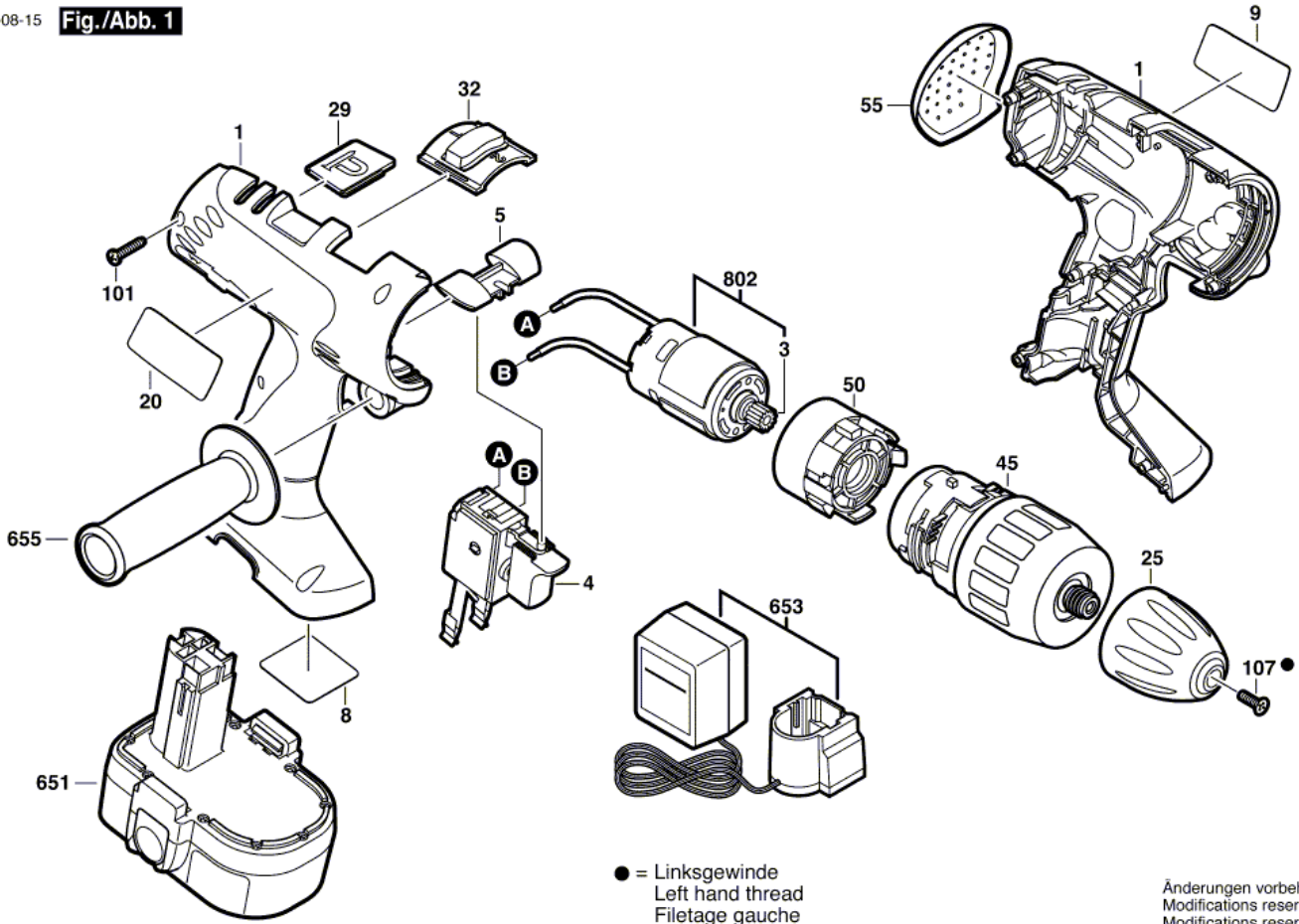


F 012 258 500

Stand } 01-08-15
 Issue }

Fig./Abb. 1



Pos.	Part Number	Description	Pos.	Part Number	Description
1	2 610 912 863	Housing Section			
3	2 606 316 181	Pinion			
4	2 607 200 353	On-Off Switch			
5	2 601 099 116	Adjusting Slide			
8	2 610 913 252	Nameplate			
9	2 610 913 250	Label			
20	2 610 913 251	Warning Label			
25	2 610 913 340	Chuck			
29	2 600 290 043	Magnet Disk			
32	2 601 099 098	Adjusting Slide			
45	2 606 200 152	Planetary Gear Train			
50	2 605 719 027	Intermediate Flange			
55	2 608 040 198	Handle Cover			
101	2 603 490 018	Torx Oval-Head Screw			
107	2 603 421 229	Countersunk-Head Screw			
651	2 607 335 328	Accumulator Battery			
653	2 607 225 367	Charger			
655	2 602 025 067	Auxiliary Handle			
802	2 610 913 393	Battery-Operated Drill			