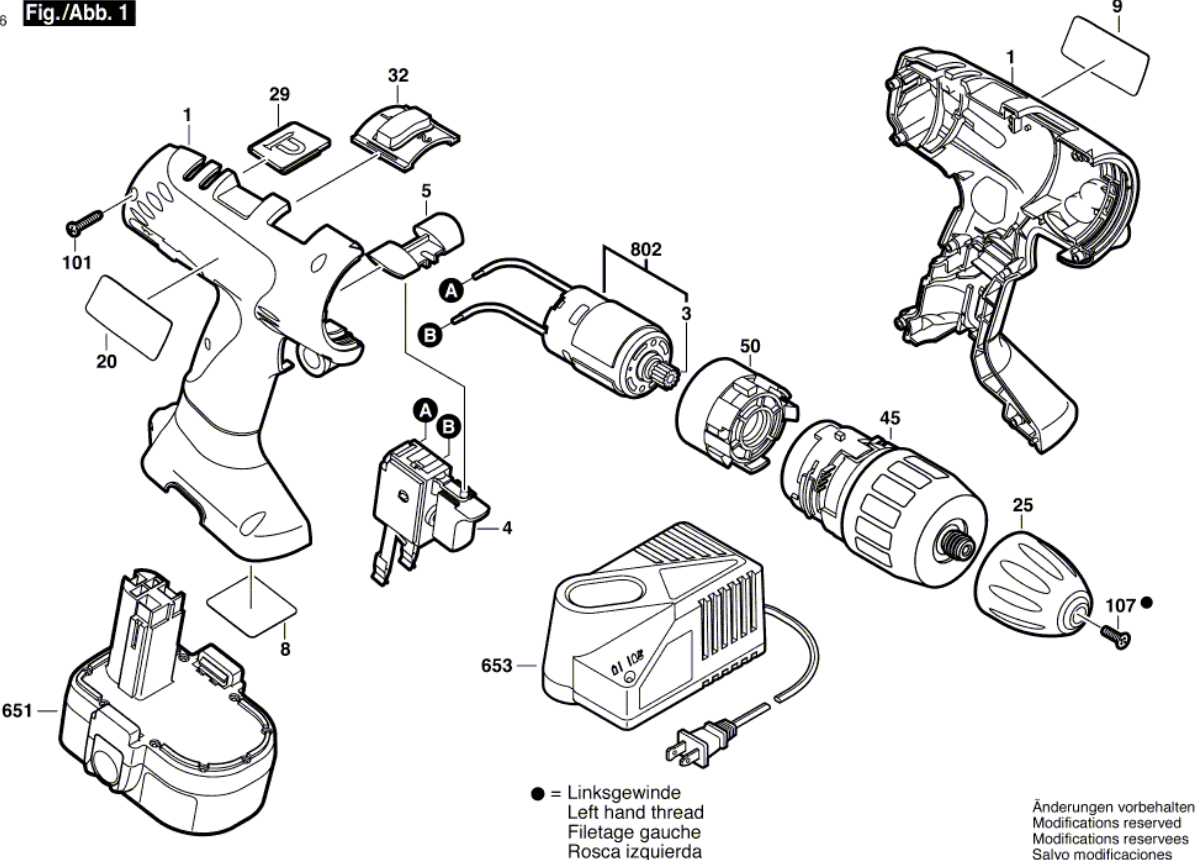


F 012 258 400  
 Stand 12-01  
 Issue 02-03-06

**Fig./Abb. 1**



Pos.	Part Number	Description	Pos.	Part Number	Description
1	2 610 912 977	Housing Section			
3	2 606 316 182	Pinion			
4	2 607 200 353	On-Off Switch			
5	2 601 099 116	Adjusting Slide			
8	2 610 913 246	Nameplate			
9	2 610 913 244	Label			
20	2 610 913 245	Label			
25	2 610 913 501	Chuck			
29	2 600 290 043	Magnet Disk			
32	2 601 099 098	Adjusting Slide			
45	2 606 200 151	Planetary Gear Train			
50	2 605 719 027	Intermediate Flange			
101	2 603 490 018	Torx Oval-Head Screw			
107	2 603 421 229	Countersunk-Head Screw			
651	2 607 335 328	Accumulator Battery			
653	2 607 224 823	Charger			
802	2 610 913 391	DC motor			