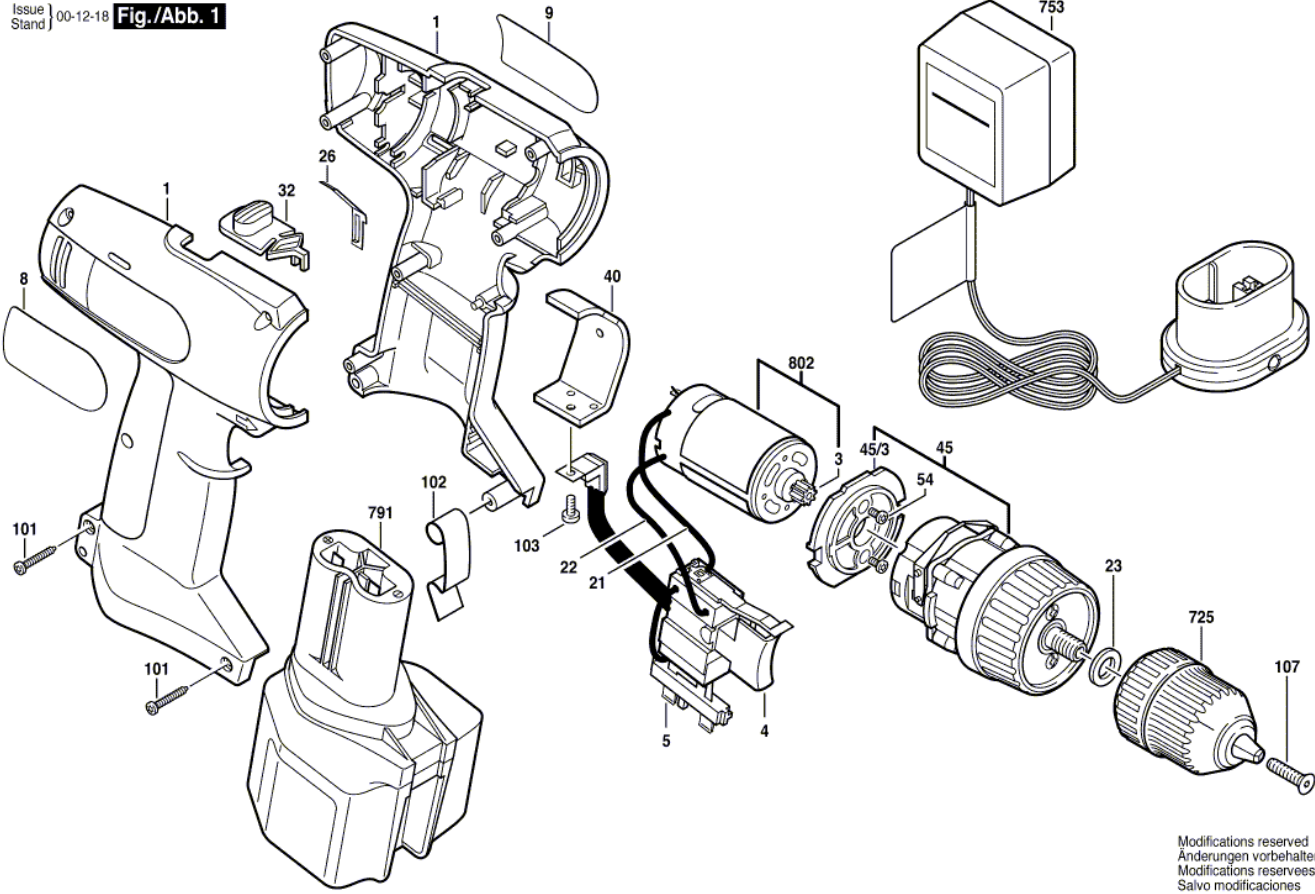


F012 248 204
Issue 1 00-12-18
Stand) **Fig./Abb. 1**



Modifications reserved
Änderungen vorbehalten
Modifications reserves
Salvo modificaciones

Pos.	Part Number	Description	Pos.	Part Number	Description
1	2 610 993 842	Motor Housing			
3	2 606 316 161	Pinion			
4	2 610 967 136	On-Off Switch			
5	2 610 910 424	Battery Contact			
8	2 610 994 166	Manufacturer's nameplate			
9	2 610 994 167	Reference Plate			
21	2 610 967 129	Connecting Cable			
22	2 610 967 130	Connecting Cable			
23	2 610 993 828	Spacer			
26	2 610 993 329	Leaf Spring			
32	2 610 993 848	Change-Over Switch			
40	2 610 967 134	Heat Sink			
45	2 610 993 845	Gear Housing			
45/3	2 610 967 693	Washer			
54	2 603 414 048	Torx SH cap screw			
101	2 610 909 719	Screw			
102	2 610 351 018	Latch			
103	2 610 315 146	Screw			
107	2 609 110 721	Countersunk-Head Screw			
725	2 610 908 303	Chuck			
753	2 610 992 951	Charger			
791	2 610 967 146	Battery Pack			
802	2 610 993 832	DC motor			