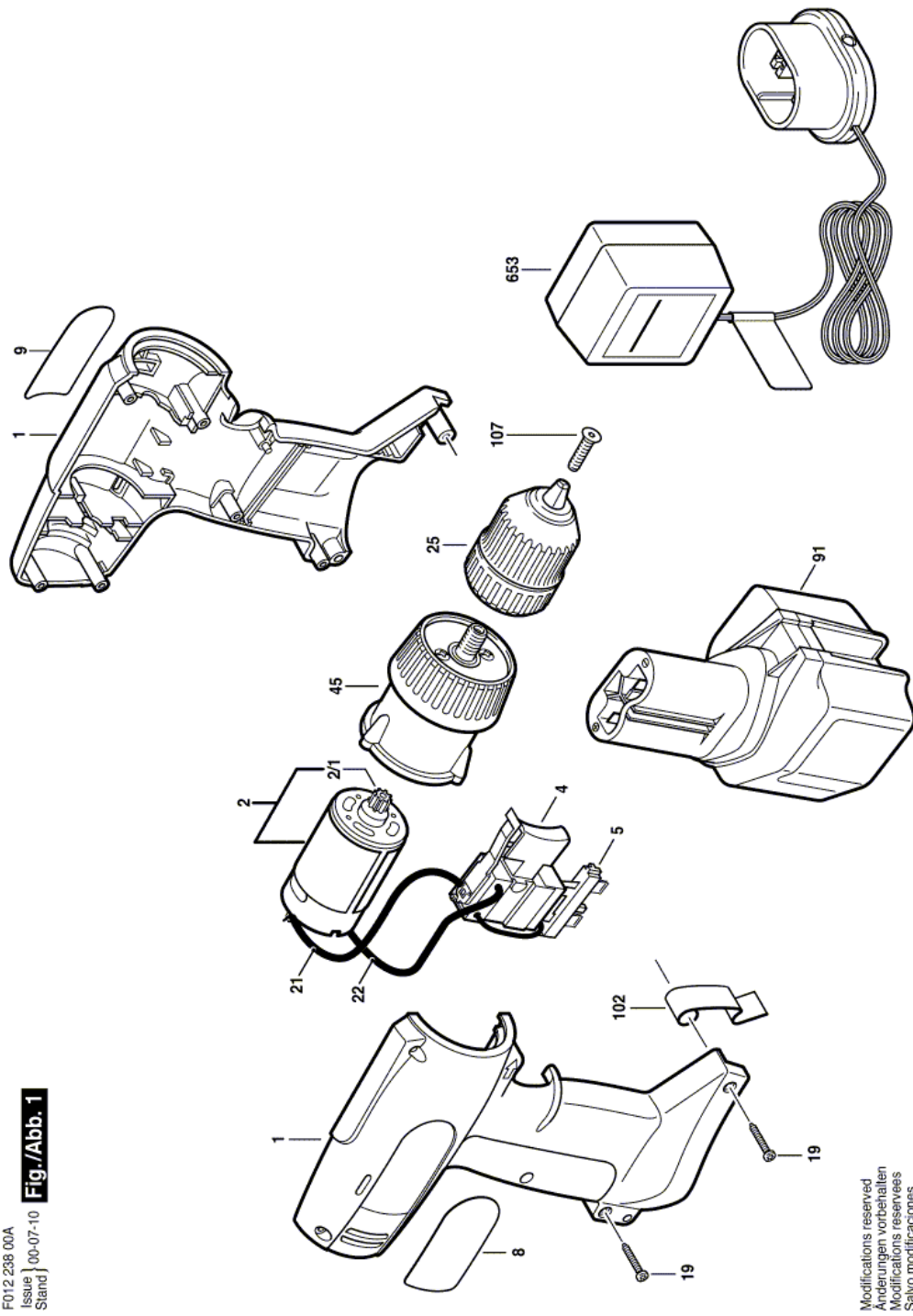


Cordless Screwdriver - F 012 258 00A - 2580

Item	Part Number	Description	Illustration	Price	Quantity	Price Group
1	2 610 967 121	Housing BLACK	1	-,-	1	20
2	2 610 967 144	Pinion	1	-,-	1	28
2/1	2 610 967 133	Pinion	1	-,-	1	11
4	2 610 995 891	Toggle Switch	1	-,-	1	-
5	2 610 910 424	Battery Contact	1	-,-	1	15
8	2 610 996 452	Nameplate	1	-,-	1	-
9	2 610 993 007	Reference Plate	1	-,-	1	15
19	2 610 909 719	Screw BLACK	1	-,-	7	11
21	2 610 967 129	Connecting Cable 105 MM BLACK	1	-,-	1	15
22	2 610 967 130	Connecting Cable 105 MM RED	1	-,-	1	15
25	2 610 908 303	Chuck 3/8"	1	-,-	1	32
45	2 610 967 124	Gear Housing	1	-,-	1	29
91	2 610 967 146	Battery Pack 14,4V	1	-,-	1	44
102	2 610 351 018	Latch	1	-,-	1	13
107	2 609 110 721	Countersunk-Head Screw M5x20	1	-,-	1	11
653	2 610 992 951	Charger USA 120/14,4V, 3h	1	-,-	1	31

Illustration - Type E



F012 238 00A
Issue | 00-07-10
Stand | **Fig./Abb. 1**

Modifications reserved
Änderungen vorbehalten
Modificaciones reservadas
Salvo modificaciones

Information subject to change without further notice.