

## Impact Wrench - 3 601 JA1 310 - 25618

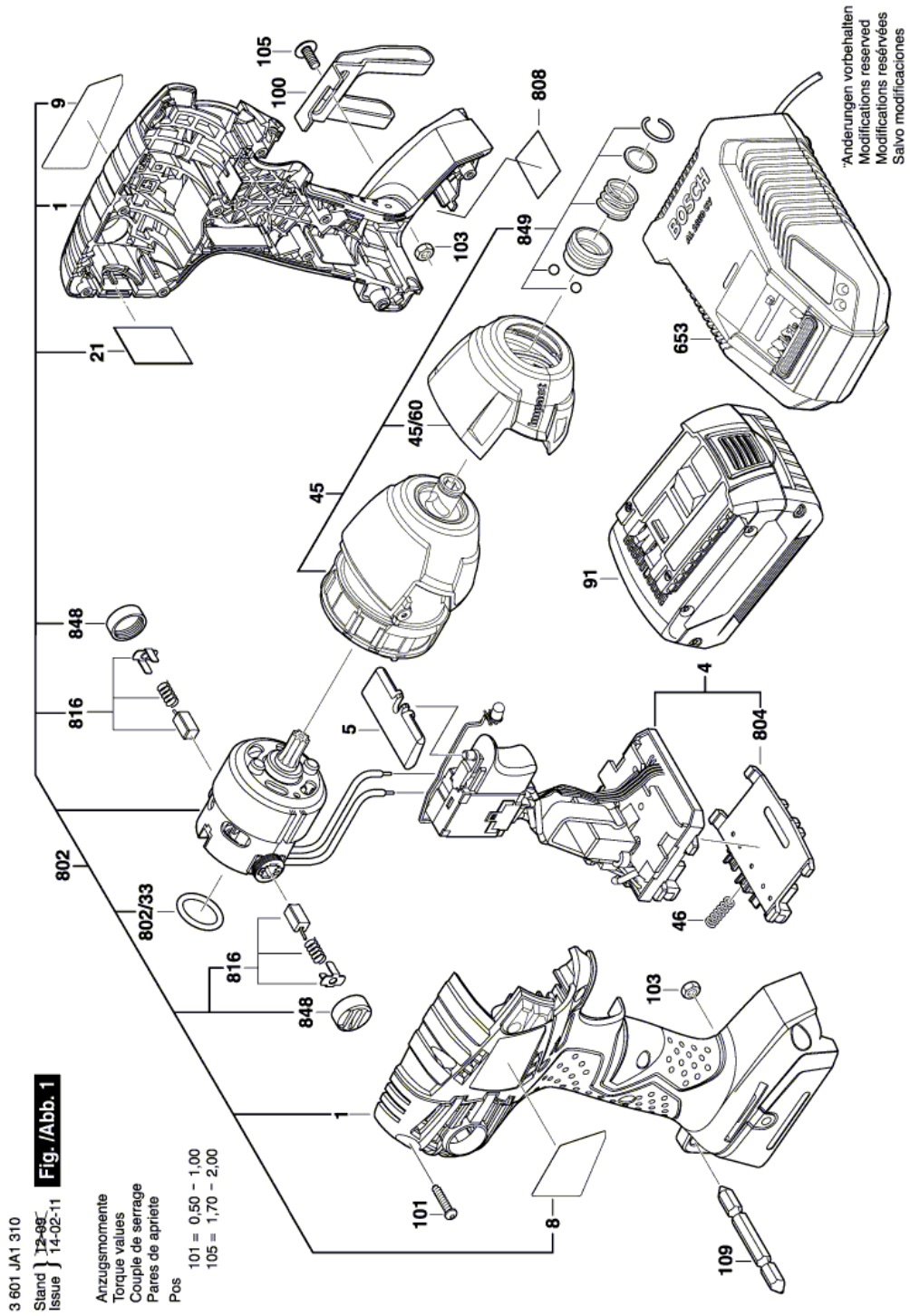
www.powertools-aftersaleservice.com



**BOSCH**

Item	Part Number	Description	Illustration	Price	Quantity	Price Group
	1 2 609 101 136	Housing		1	-,-	1 33
	4 1 607 233 480	Electronics Module		1	-,-	1 41
	5 2 609 100 698	Button		1	-,-	1 12
	8 2 609 131 990	Warning Label		1	-,-	1 13
	9 2 609 132 046	Nameplate IMPACTOR 18V		1	-,-	1 13
	21 2 609 111 485	Wire Mesh		1	-,-	1 11
	45 2 609 199 694	Gear Box		1	-,-	1 44
	45/60 2 609 170 128	Cap		1	-,-	1 19
	46 1 609 280 477	Compression Spring		1	-,-	1 11
	91 2 607 336 093	Battery Set 18V, 2,6Ah, LI, MS		1	-,-	1 52
	91 2 607 336 189	Slide-In Accu Package 18V, 1,3Ah, LI, MS		1	-,-	1 48
	100 2 609 110 833	Clip		1	-,-	1 21
	101 2 609 110 201	Torx Flat-Head Screw 3x16		1	-,-	9 10
	103 2 609 110 835	Nut		1	-,-	2 10
	105 2 609 110 834	Screw		1	-,-	2 10
	109 2 609 110 343	Screwdriver Blade		1	-,-	1 13
	653 2 607 225 327	Charger USA 120/10,8-18V, 30 MIN		1	-,-	1 49
	653 2 607 225 429	Fast Charger USA 120/10,8-18V, 1h		1	-,-	1 41
	802 2 609 199 313	DC motor		1	-,-	1 43
	802/33 2 609 170 104	O-Ring		1	-,-	1 10
	804 1 609 280 478	Contact retainer		1	-,-	1 26
	808 2 609 131 970	Label 25618		1	-,-	1 13
	816 2 609 199 169	Carbon-Brush Set		1	-,-	1 22
	848 2 609 199 190	Brush-Cover		1	-,-	1 15
	849 2 609 199 223	Bit holder		1	-,-	1 23

Illustration - Type E



Information subject to change without further notice.