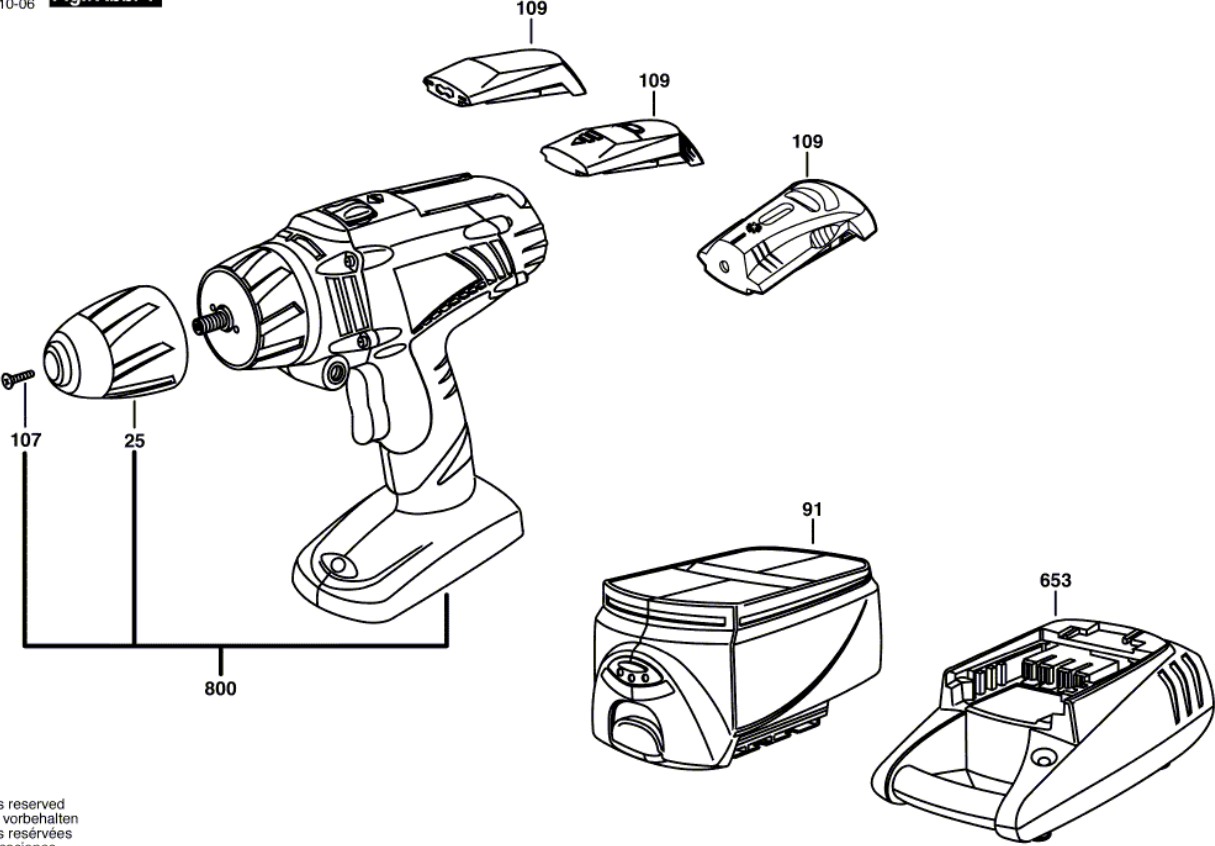


F 012 248 705  
Stand 12-05  
Issue J 04-10-06

**Fig./Abb. 1**



Modifications reserved  
Änderungen vorbehalten  
Modifications réservées  
Salvo modificaciones

Pos.	Part Number	Description	Pos.	Part Number	Description
25	2 610 920 203	Chuck			
91	2 607 335 601	Accumulator Battery			
107	2 609 110 721	Countersunk-Head Screw			
109	2 609 100 190	Support			
109	2 610 916 434	Metal Detector			
109	2 610 924 433	Spirit Level			
653	2 607 224 935	Fast Charger			
800	F 012 248 705	Cordless Screw Driver			