



SERVICE PARTS LIST

BULLETIN NO.
54-27-2490

SPECIFY CATALOG NO. AND SERIAL NO. WHEN ORDERING PARTS		REVISED BULLETIN	DATE
M12™ CABLE CUTTER			Feb. 2014
CATALOG NO.	2472-20	SERIAL NUMBER	E21A
			WIRING INSTRUCTION See Page 4

EXAMPLE:
Component Parts (Small #) Are Included
When Ordering The Assembly (Large #).

FIG.	PART NO.	DESCRIPTION OF PART	NO. REQ.
1	-----	Housing Support	(1)
2	34-40-4480	O-Ring	(1)
3	-----	Switch	(1)
4	-----	Drive Link Switch Lock-Out (Order #95)	(1)
5	40-50-4520	Spring	(1)
6	44-20-0770	Switch Lock-Out	(1)
7	-----	Housing Cover	(1)
8	10-20-2545	Warning Label	(1)
9	06-82-2385	M2.6 x 14mm Pan Hd. Tapt. T-8 Screw	(2)
10	06-82-7240	6-19 x .5" Pan Hd. Plastite T-15 Screw	(3)
11	06-82-7261	6-19 x .687 Pan Hd. Plastite T-15 Screw	(7)
17	10-20-2675	Jam Release Label	(1)
29	-----	PCBA	(1)

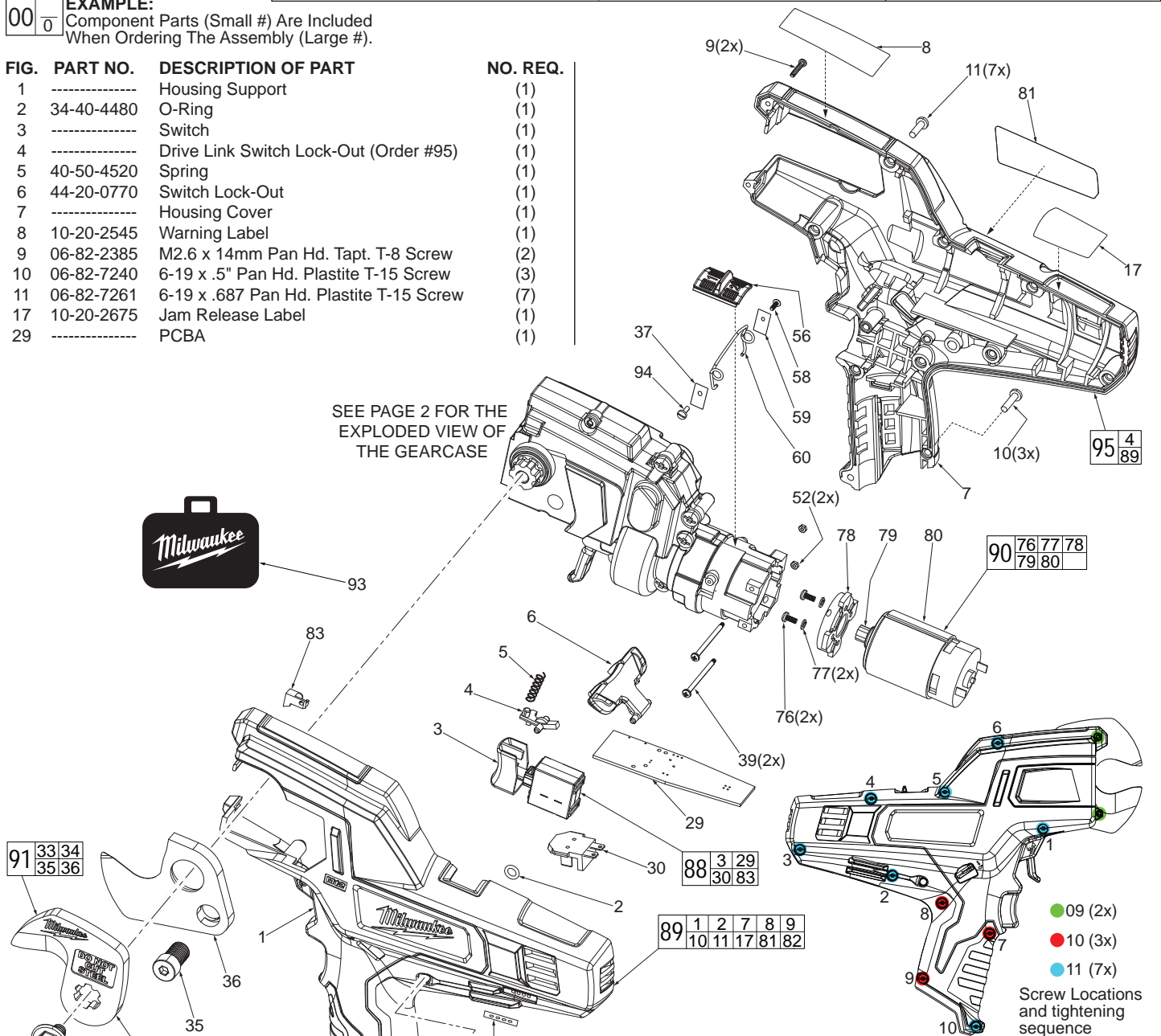
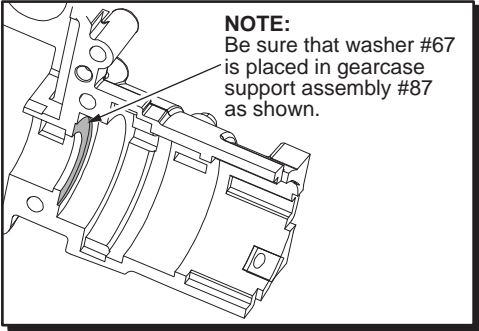
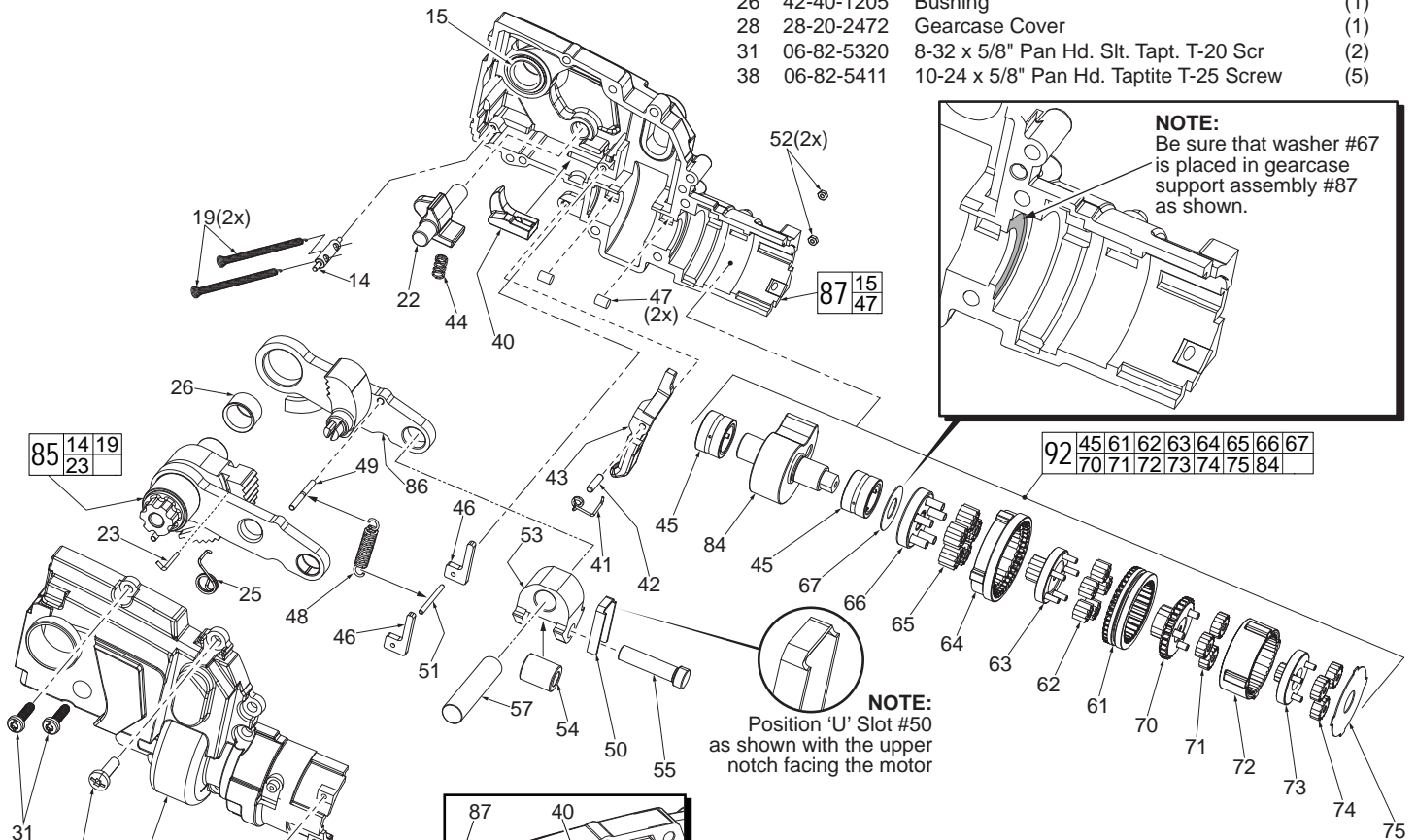


FIG.	PART NO.	DESCRIPTION OF PART	NO. REQ.
30	-----	Battery Contact Plate	(1)
32	49-96-0088	3/16" x 3-5/8" Hex Key	(1)
33	42-32-0500	Moving Blade Fitted Bolt with Loctite® Patch	(1)
34	-----	Moving Blade	(1)
35	42-32-0525	Stationary Blade Fixed Bolt w/ Loctite® Patch	(1)
36	-----	Stationary Blade	(1)
37	45-88-8210	Plate Washer with 3.3mm hole	(1)
39	06-81-0485	M2 Pan Hd. Phillips Screw- Motor Mounting	(2)
52	44-40-0115	M2 Hex Nut	(2)
56	45-24-0400	High-Low Slide Button	(1)
58	05-81-0798	M2 Screw	(1)
59	45-88-8205	Plate Washer with 2.3mm hole	(1)
60	44-10-0665	Spring- High/Low Slide Button	(1)

FIG.	PART NO.	DESCRIPTION OF PART	NO. REQ.
76	05-81-0205	M3 x 6 Pan Hd. Phillips Hd. Screw	(2)
77	05-90-0050	Lock Washer	(2)
78	44-66-0995	Motor Mounting Plate	(1)
79	-----	Pinion	(1)
80	-----	Motor	(1)
81	12-20-2465	Service Nameplate	(1)
82	-----	Fuel Gauge Label	(1)
83	-----	LED	(1)
88	23-66-2472	Switch Assembly	(1)
89	-----	Handle Assembly (Order #95)	(1)
90	23-30-0375	Motor Assembly	(1)
91	48-44-0410	Blade Set	(1)
93	42-55-2472	Carrying Case	(1)
94	05-81-0208	M3 x 6mm Pan Hd. Slotted Screw	(1)
95	31-44-2473	Handle/Drive Link Assembly	(1)

MILWAUKEE ELECTRIC TOOL CORPORATION
13135 W. LISBON RD., BROOKFIELD, WI 53005
Drwg. 3

FIG.	PART NO.	DESCRIPTION OF PART	NO. REQ.
14	43-72-0780	Ratchet Spring Holder	(1)
15	-----	Bushing	(1)
19	40-50-1005	Ratchet Return Spring	(2)
22	44-55-0300	Follower Pawl	(1)
23	44-60-1325	Wire Form	(1)
25	40-50-3960	Torsion Spring	(1)
26	42-40-1205	Bushing	(1)
28	28-20-2472	Gearcase Cover	(1)
31	06-82-5320	8-32 x 5/8" Pan Hd. Slit. Tapt. T-20 Scr	(2)
38	06-82-5411	10-24 x 5/8" Pan Hd. Taptite T-25 Screw	(5)



NOTE:
Position 'U' Slot #50 as shown with the upper notch facing the motor

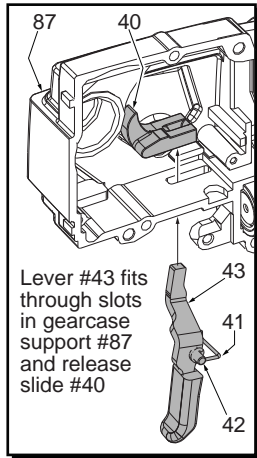


FIG.	PART NO.	DESCRIPTION OF PART	NO. REQ.
39	06-81-0485	M2 Pan Hd. Phillips Screw- Motor Mounting	(2)
40	45-24-1040	Release Slide	(1)
41	40-50-3270	Torsion Spring- Release Lever	(1)
42	44-60-0560	Pin- Release Lever	(1)
43	44-10-0870	Release Lever	(1)
44	40-50-4905	Return Spring- Follower Pawl	(1)
45	02-50-0175	Needle Bearing	(2)
46	44-81-0260	Roller Pin Rail	(2)
47	42-34-5380	Rubber Slug	(2)
48	40-50-3220	Drive Link Return Spring	(1)
49	44-60-2200	Mounting Shaft- Return Spring	(1)
50	28-10-0900	U Slot	(1)
51	44-60-2210	Pin- Drive Link Return Spring	(1)
52	44-40-0115	M2 Hex Nut	(2)
53	43-72-0800	Carrier	(1)
54	44-96-0425	Cam Roller	(1)
55	44-66-2300	Roller Pin	(1)
57	44-66-2310	Roller Carrier Pin	(1)
61	-----	3rd Stage Ring Gear	(1)
62	-----	3rd Stage Planet Gear	(5)
63	-----	4th Stage Sun Gear	(1)
64	-----	4th Stage Ring Gear	(1)
65	-----	4th Stage Planet Gear	(5)
66	-----	4th Stage Carrier	(1)
67	-----	Washer	(1)
70	-----	3rd Stage Sun Gear	(1)
71	-----	2nd Stage Planet Gear	(3)
72	-----	1st and 2nd Stage Ring Gear	(1)
73	-----	2nd Stage Sun Gear	(1)
74	-----	1st Stage Planet Gear	(3)
75	-----	Motor Spacer Plate	(1)
84	42-50-0600	Cam and Cam Shaft Assembly	(1)
85	44-84-0380	Drive Shaft/Link/Ratchet Assembly	(1)
86	44-55-0350	Drive Pawl/Link/Release Lever Assembly	(1)
87	28-14-0495	Gearcase Support Assembly	(1)
92	14-29-0800	Gear/Cam Assembly	(1)

