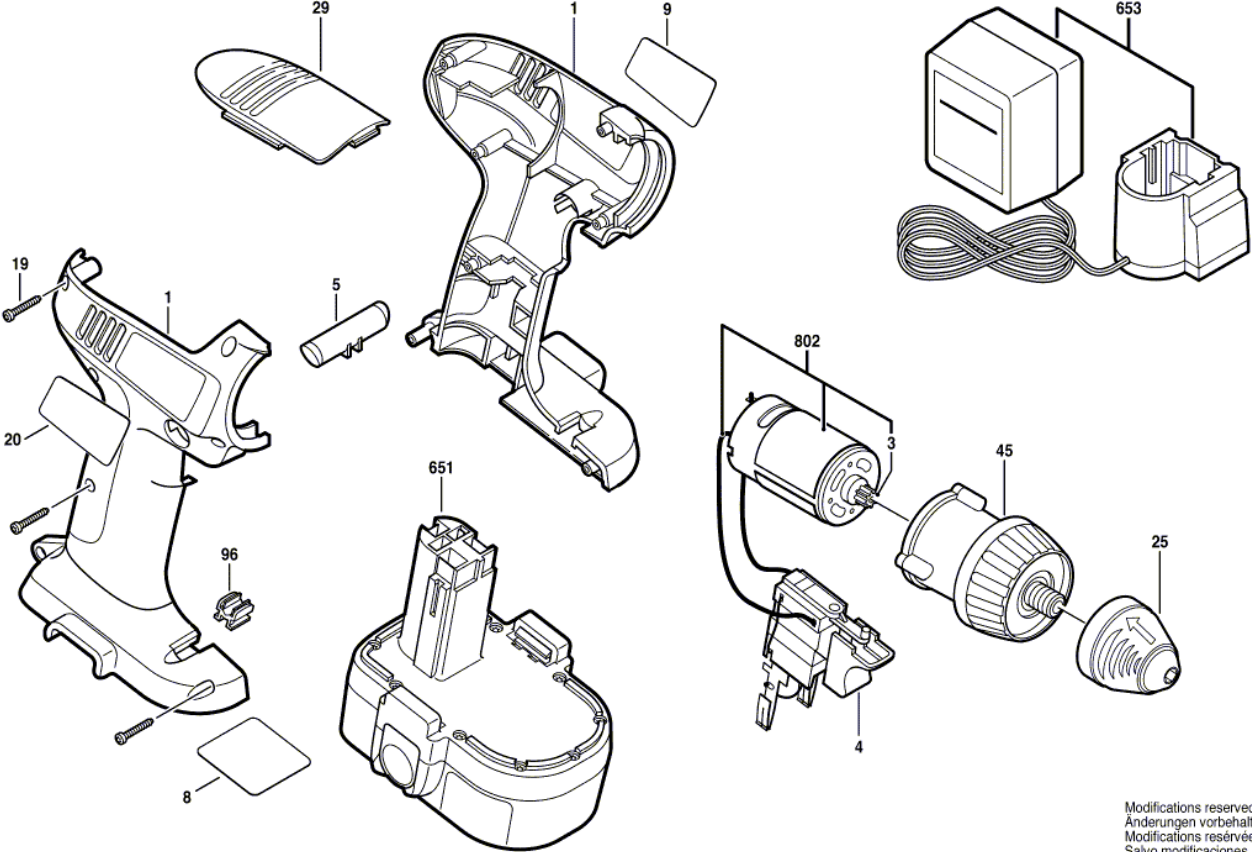


F012 246 900
Issue 02-03-04
Stand | **Fig./Abb. 1**



Modifications reserved
Änderungen vorbehalten
Modifications réservées
Salvo modificaciones

Pos.	Part Number	Description	Pos.	Part Number	Description
1	2 610 997 742	Housing Section			
3	2 610 967 133	Pinion			
4	2 607 200 449	On-Off Switch			
5	2 610 997 745	Switch Handle			
8	2 610 915 927	Nameplate			
9	2 610 915 928	Nameplate			
19	2 610 909 719	Screw			
20	2 610 916 065	Nameplate			
25	2 610 915 242	Chuck			
29	2 610 997 746	Housing Cover			
45	2 610 913 459	Planetary Gear Train			
96	2 610 911 815	Support			
651	2 607 335 329	Accumulator Battery			
653	2 607 225 367	Charger			
802	2 610 998 224	Motor			