



BOSCH

Impact Wrench

24614 | 3 601 JA1 T12

Table of Content

| | |
|--------------------------|---|
| Spare parts list..... | 2 |
| Illustration - Type..... | 3 |

| Spare parts list | | | |
|------------------|---------------|--------------------------------------|--------------|
| Item | Part Number | Description | Illustration |
| 1 | 2 609 101 136 | Housing | 1 |
| 4 | 1 607 233 479 | Electronics Module | 1 |
| 5 | 2 609 100 698 | Button | 1 |
| 8 | 2 609 131 989 | Warning Label | 1 |
| 9 | 2 609 132 045 | Nameplate IMPACTOR 14,4V | 1 |
| 21 | 2 609 111 485 | Wire Mesh | 1 |
| 45 | 2 609 199 696 | Gear Box | 1 |
| 45/60 | 2 609 170 128 | Cap | 1 |
| 46 | 1 609 280 477 | Compression Spring | 1 |
| 91 | 2 607 336 079 | Battery Set 14,4V, 2,6Ah, LI, MS | 1 |
| 91 | 2 607 336 153 | Battery Set 14,4V, 1,3Ah, LI, MS | 1 |
| 100 | 2 609 110 833 | Clip | 1 |
| 101 | 2 609 110 201 | Torx Flat-Head Screw 3x16 | 1 |
| 103 | 2 609 110 835 | Nut | 1 |
| 105 | 2 609 110 834 | Screw | 1 |
| 653 | 2 607 225 927 | Charger USA BC 1880 CV 13,3-18V/120V | 1 |
| 802 | 2 609 199 275 | DC motor 14,4V | 1 |
| 802/33 | 2 609 170 104 | O-Ring | 1 |
| 804 | 1 609 280 474 | Contact retainer | 1 |
| 808 | 2 609 132 597 | Label 24614 | 1 |
| 816 | 2 609 199 169 | Carbon-Brush Set | 1 |
| 848 | 2 609 199 190 | Brush-Cover | 1 |

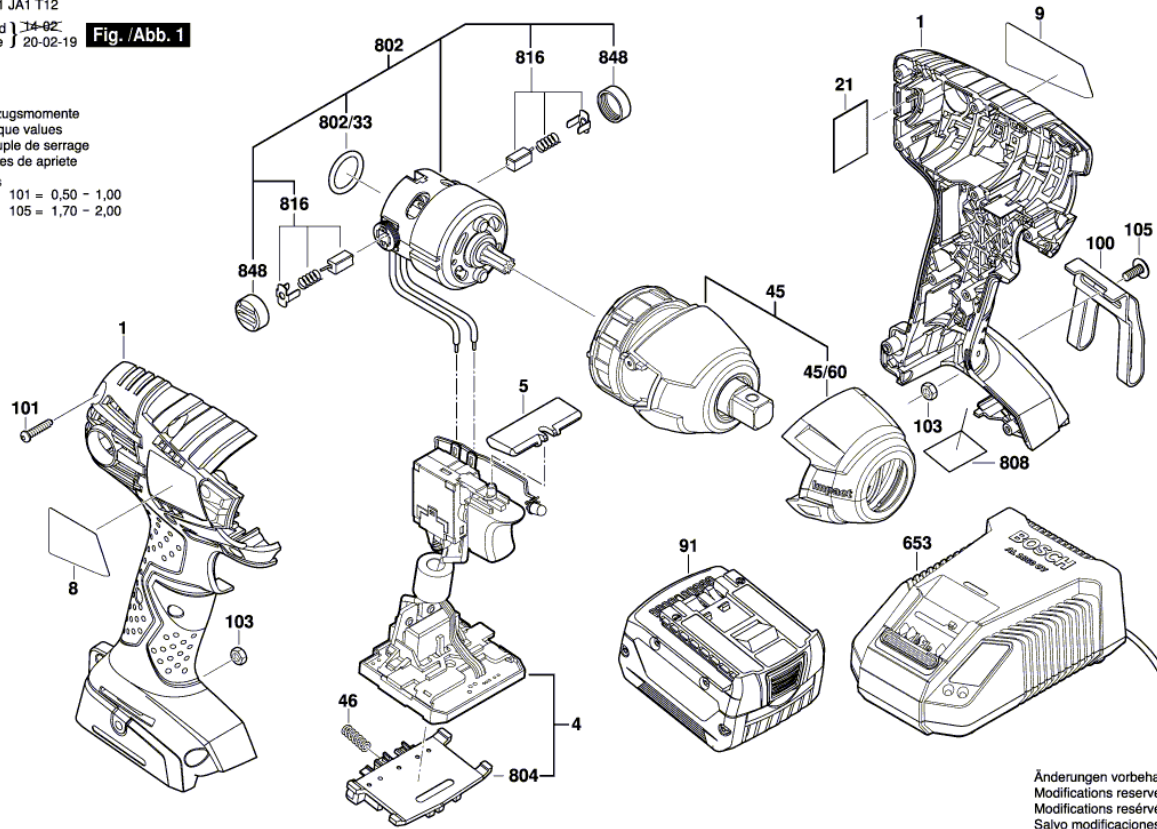
Illustration - Type - E

3 601 JA1 T12
 Stand } 2019-02
 Issue } 20-02-19

Fig. /Abb. 1

Anzugsmomente
 Torque values
 Couple de serrage
 Pares de apriete

Pos
 101 = 0,50 - 1,00
 105 = 1,70 - 2,00



Änderungen vorbehalten
 Modifications reserved
 Modifications réservées
 Salvo modificaciones