



SERVICE PARTS LIST

BULLETIN NO.
54-43-2400

SPECIFY CATALOG NO. AND SERIAL NO. WHEN ORDERING PARTS		REVISED BULLETIN	DATE
12 Volt Palm Nailer			Sept. 2010
CATALOG NO.	2458-20	STARTING SERIAL NO.	C70A
		WIRING INSTRUCTION See Reverse Side	

EXAMPLE:
Component Parts (Small #)
Are Included When Ordering
The Assembly (Large #).

00 0
2 46 47 48 51
52 55 56

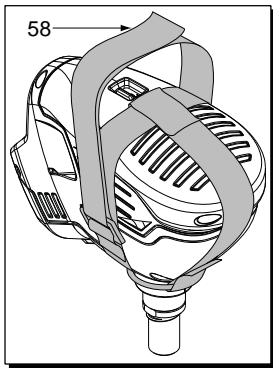
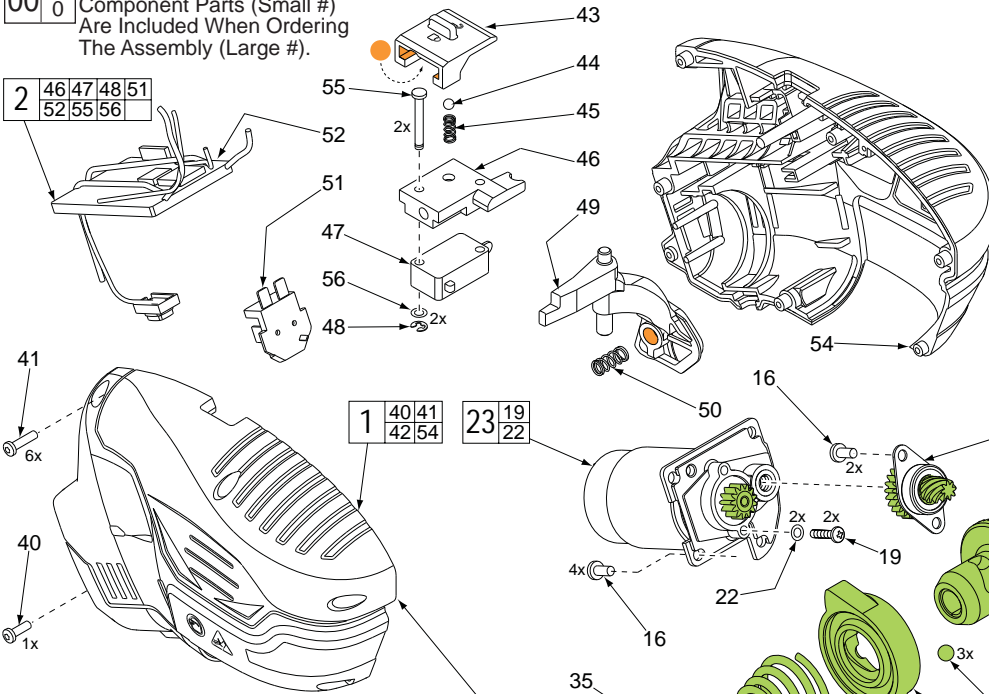


FIG.	PART NO.	DESCRIPTION OF PART	NO. REQ.
1	31-44-0980	Housing Halve Assembly	(1)
2	23-66-2375	Switch Assembly	(1)
3	44-40-0790	Collet Assembly	(1)
4	45-22-0780	Sleeve	(1)
5	34-40-0310	O-Ring	(1)
6	40-50-1490	Sleeve Spring	(1)
7	45-88-3110	Curved Washer	(1)
8	14-29-0700	Gearcase Assembly	(1)
11	14-73-0340	Anvil Assembly	(1)
13	32-40-2400	Bevel Pinion Assembly	(1)
16	05-78-0105	M4 x 10 Pan Hd. Tapt. T-20 ST Screw	(6)
19	05-81-1140	M3 x 16 Screw	(2)
22	45-88-1980	Spring Washer	(2)
23	14-50-0710	Motor/Diaphragm Assy. (w/ needle bearing)	(1)
24	-----	Left Gearcase Halve	(1)
25	06-57-0625	Nylon Lock Nut	(1)
26	45-88-3120	Washer	(1)
27	45-88-3130	Thrust Washer	(2)
28	02-80-1820	Thrust Bearing	(1)
30	32-05-0650	Bevel Gear Assembly	(1)
31	02-02-0600	5.0 Steel Ball	(3)
32	45-56-5400	Hammer	(1)
33	40-50-0860	Conical Spring	(1)
34	45-88-3140	Core Shaft Washer	(1)
35	02-02-0625	3.0 Steel Ball	(21)
36	45-08-0625	Core Shaft	(1)
38	-----	Right Gearcase Halve	(1)
39	05-81-1410	M4 x 16 Pan Hd. T-20 Screw	(4)
40	05-81-1420	M3 x 10 Pan Hd. Plastite T-10 Screw	(1)
41	05-81-1430	M3 x 14 Pan Hd. Plastite T-10 Screw	(6)
42	-----	Right Housing Halve	(1)
43	44-20-1210	Switch Lockout	(1)

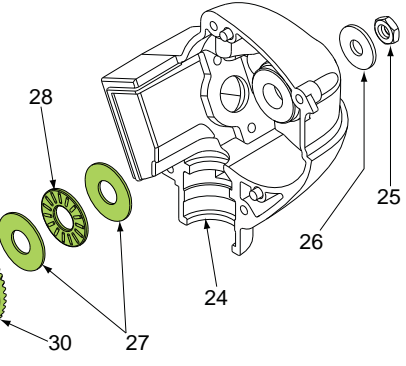


SERVICE NOTES:

It is recommended that the Nylon Lock Nut (25) be replaced if it is removed for servicing the tool. See torque chart on page two for proper setting.

The three Steel Balls (31) should be replaced if replacing the Bevel Gear Assembly (30) or the Hammer (32).

Place a few drops of thread locking sealant to the threads of Sleeve (4). Torque to 10 ft.-lbs.



LUBRICATION:
Use Type 'T' Grease, No. 49-08-4260

Apply a thin coat of grease to all parts shown in green.

Place a heavier amount to the Ball recesses and the gear teeth of the Bevel Gear Assembly (30).

Place a heavier amount to the Ball recesses and the striking surfaces of the Hammer (32).

Apply a heavier amount of grease to the teeth of the pinion gear of the Motor/ Diaphragm Assembly (23) and to the teeth of the corresponding gear and the pinion of the Bevel Pinion Assembly (13).

LUBRICATION:
Use Type 'Y' Grease, No. 49-08-5270

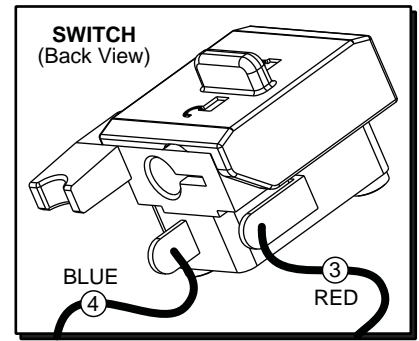
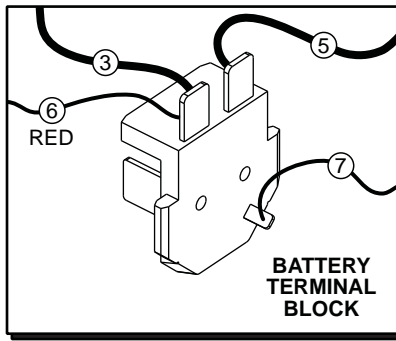
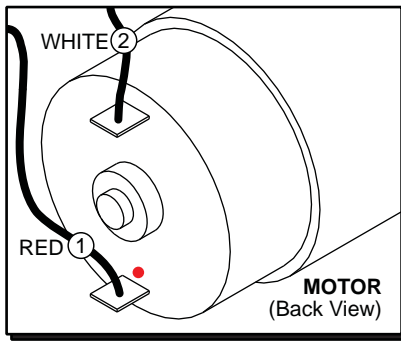
Apply a thin coat of grease to the bottom surface of the Switch Lockout (43).

Place a dab of grease in the round cavity of the On Button (49) to help hold Spring (50) in place.

FIG.	PART NO.	DESCRIPTION OF PART	NO. REQ.
44	02-02-7040	4.0 Steel Ball	(1)
45	40-50-1240	Spring	(1)
46	44-34-0460	Switch Mount	(1)
47	-----	Switch	(1)
48	44-90-0980	E-Ring	(2)
49	42-42-0870	On Button	(1)
50	40-50-2180	On Button Spring	(1)
51	-----	Battery Terminal Block	(1)
52	-----	PCB Assembly	(1)
54	-----	Left Housing Halve	(1)
55	44-50-1450	Pin	(2)
56	45-88-3150	Washer	(2)
57	42-55-3100	Soft Cover Carrying Case	(1)
58	45-56-2700	Hand Strap with Steel Ring	(1)
	12-20-2458	Service Nameplate (Not Shown)	(1)

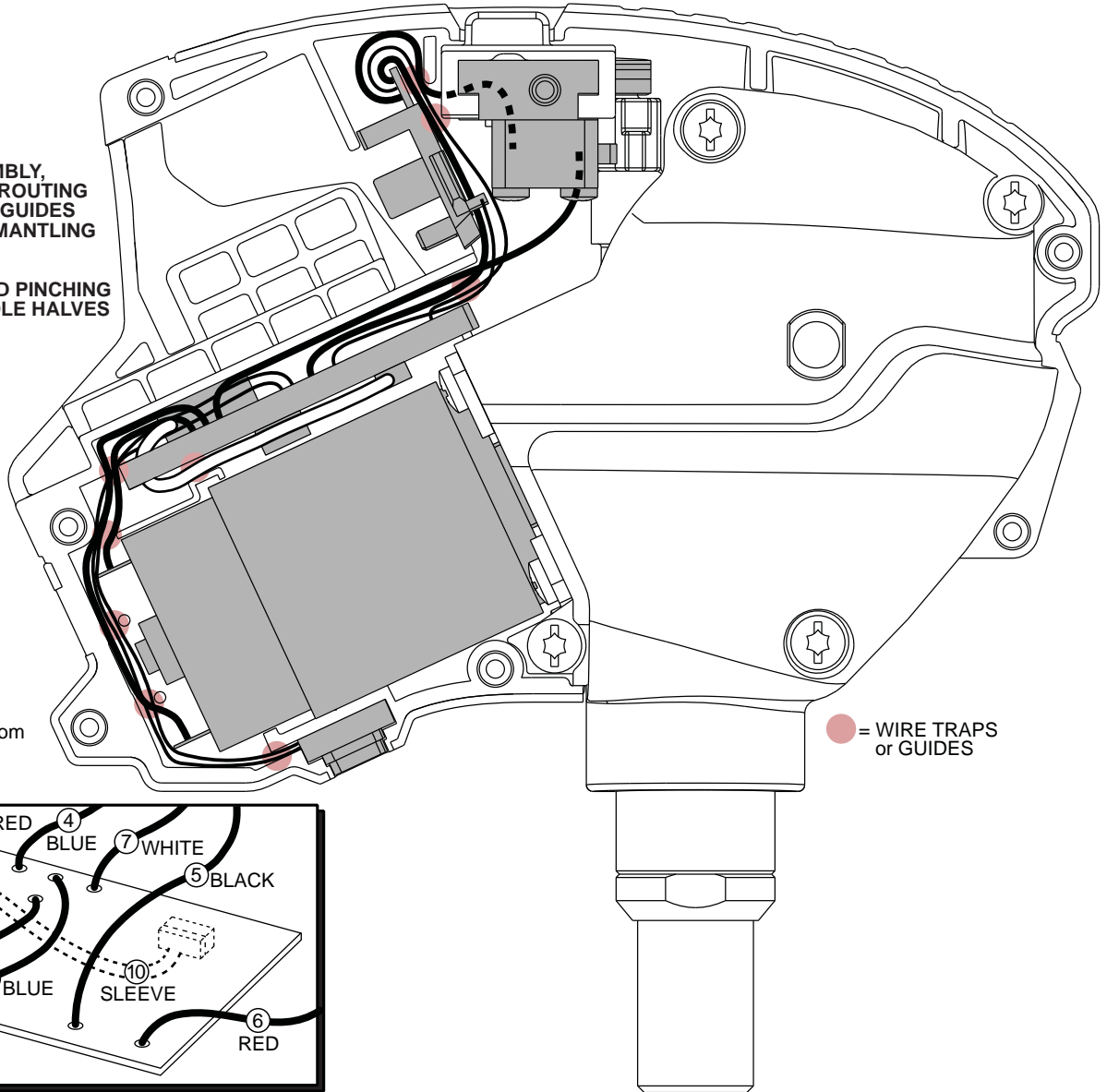
MILWAUKEE ELECTRIC TOOL CORPORATION
13135 W. Lisbon Road, Brookfield, WI 53005
Drwg. 2

Place motor in the left handle half with the positive terminal (marked with a red dot) to the bottom.

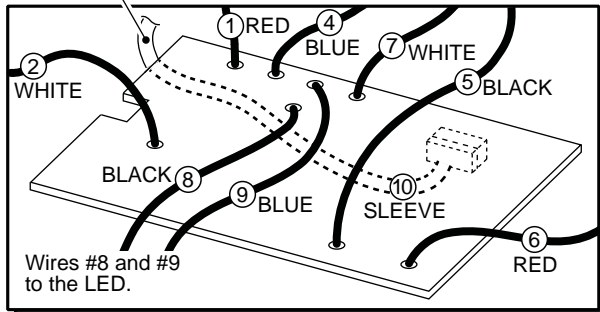


AS AN AID TO REASSEMBLY, TAKE NOTICE OF WIRE ROUTING AND POSITION IN WIRE GUIDES AND TRAPS WHILE DISMANTLING TOOL.

BE CAREFUL AND AVOID PINCHING WIRES BETWEEN HANDLE HALVES WHEN ASSEMBLING.



Five wire sleeve from the fuel gauge. Plugs into bottom of PCB assembly.



WIRING SPECIFICATIONS

Wire No.	Wire Color	Origin or Gauge	Length	Terminals, Connectors and 1 or 2 End Wire Preparation
1	Red	----	----	Component of the Switch Assembly 23-66-2375.
2	White	----	----	Component of the Switch Assembly 23-66-2375.
3	Red	----	----	Component of the Switch Assembly 23-66-2375.
4	Blue	----	----	Component of the Switch Assembly 23-66-2375.
5	Black	----	----	Component of the Switch Assembly 23-66-2375.
6	Red	----	----	Component of the Switch Assembly 23-66-2375.
7	White	----	----	Component of the Switch Assembly 23-66-2375.
8	Black	----	----	Component of the Switch Assembly 23-66-2375.
9	Blue	----	----	Component of the Switch Assembly 23-66-2375.
10	Sleeve	----	----	Fuel Gauge is a component of the Left Handle Halve.

SCREW TORQUE SPECS

Fig.	Part No.	Seat Torque (in-lbs.)
16	05-78-0105	19-22
19	05-81-1140	7-10
25	06-57-0625	68-72
39	05-81-1410	19-22
40	05-81-1420	3-4
41	05-81-1430	3-6