



SERVICE PARTS LIST

BULLETIN NO.
54-26-2463

SPECIFY CATALOG NO. AND SERIAL NO. WHEN ORDERING PARTS		REVISED BULLETIN	DATE
12 Volt 3/8" Square Drive Impact Wrench		54-26-2462	Mar. 2013
CATALOG NO.	2451-20	STARTING SERIAL NO.	C08D
		WIRING INSTRUCTION SEE REVERSE SIDE	

EXAMPLE:
00 0 Component Parts (Small #)
Are Included When Ordering
The Assembly (Large #).



★ = Part number change
from previous service parts list.

NOTE: Gear Assembly (28) must be attached to the Motor Assembly (7) prior to installing in Gearcase Assembly (36).

Service replacement Gear Assembly (28) comes with a motor mount plate that must be removed and discarded when servicing. A Motor Mount Plate (10) already exists on the Motor Assembly (7).

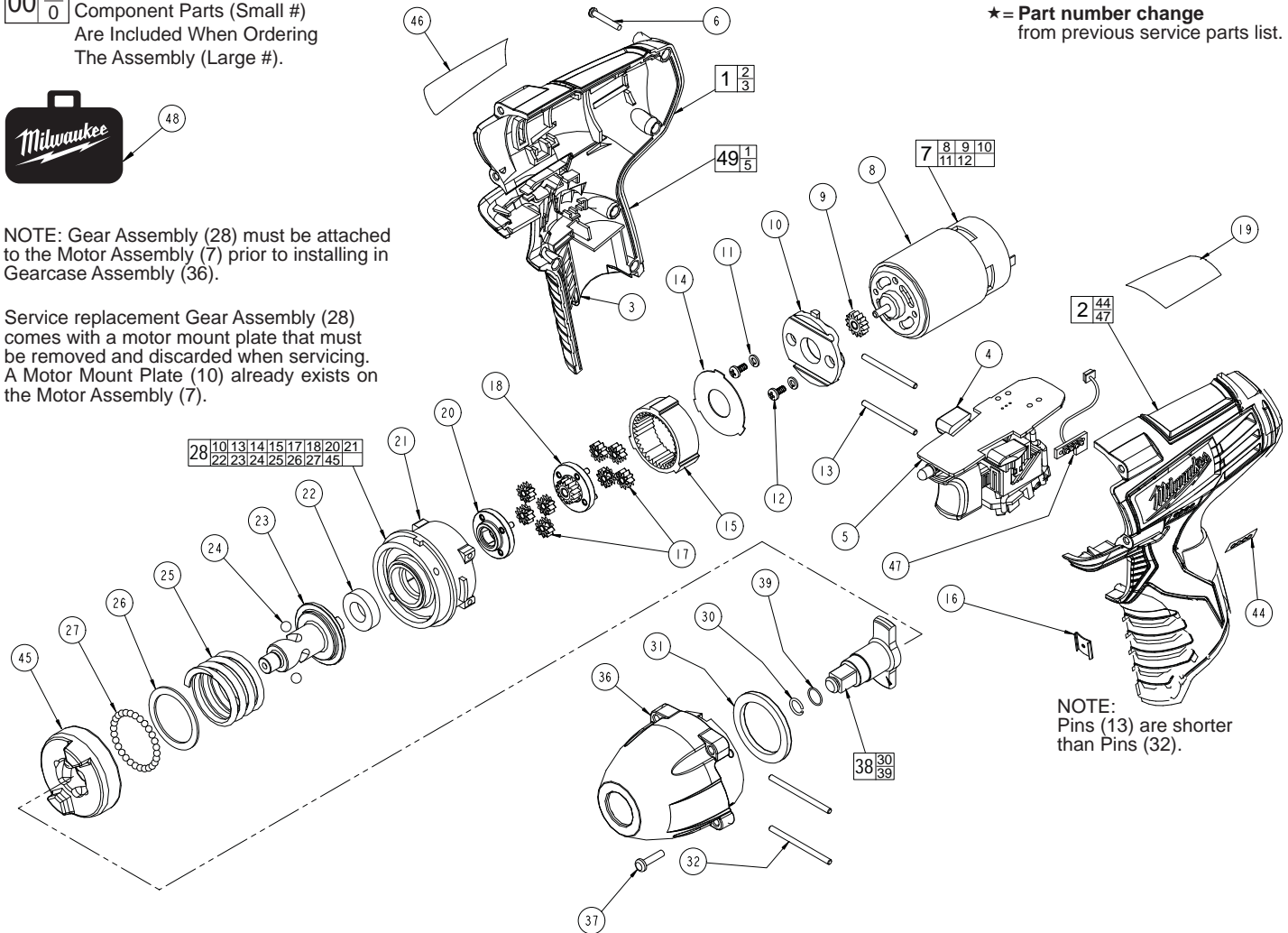
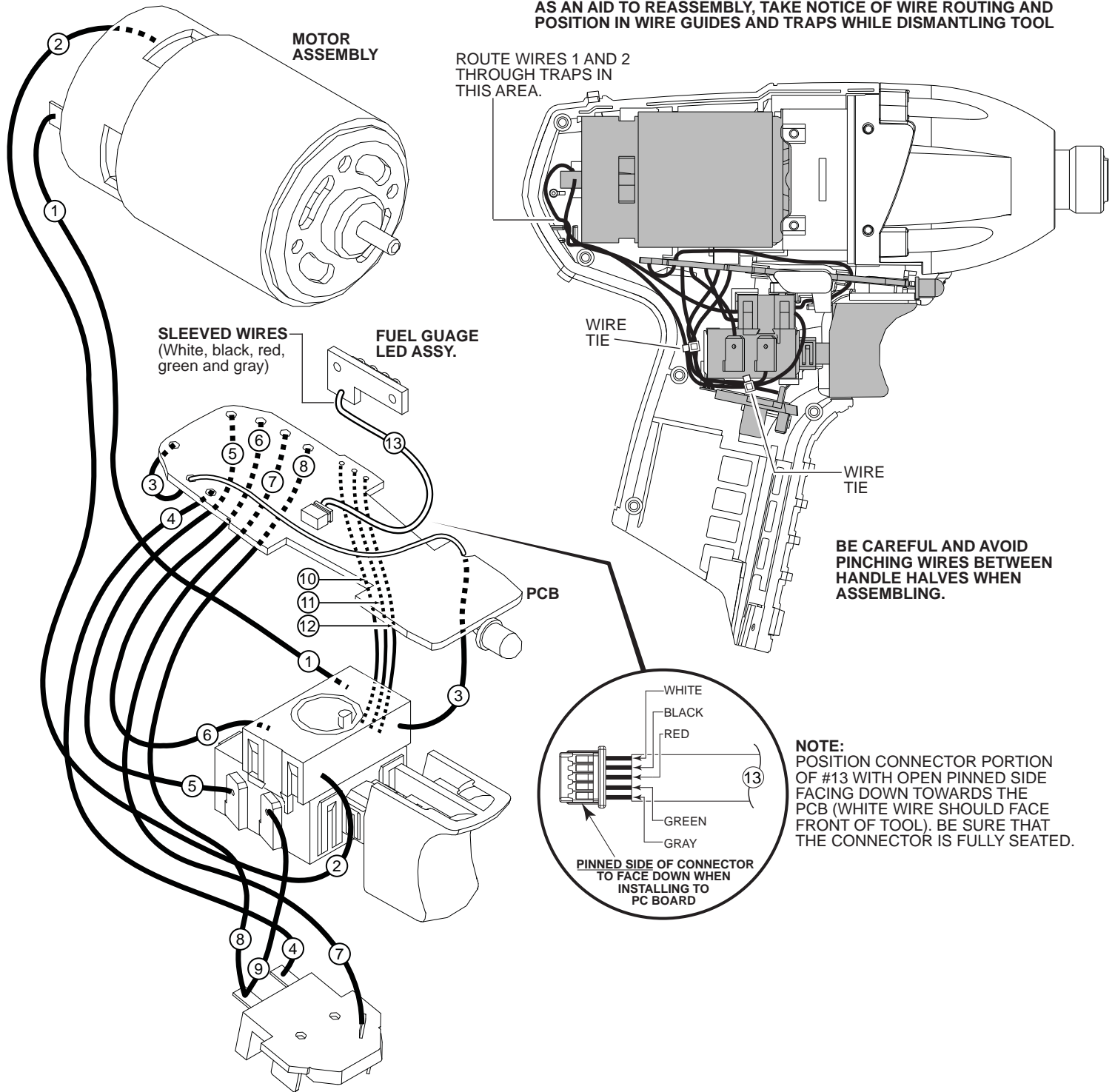


FIG.	PART NO.	DESCRIPTION OF PART	NO. REQ.
1	31-50-2403	Handle Set	(1)
2	-----	Left Handle Half	(1)
3	-----	Right Handle Half	(1)
4	45-24-0105	Fwd./Rev. Button	(1)
5	23-66-1132	Electronics Module Assembly	(1)
6	06-82-2385	M2.6 x 14 T-9 Screw	(5)
7	23-30-0090	Motor Service Assembly	(1)
8	-----	Motor	(1)
9	-----	Pinion	(1)
10	-----	Motor Mount	(1)
11	-----	Washer	(2)
12	-----	M3 x 6 Screw	(2)
13	06-65-0075	Pin	(2)
14	-----	Washer	(1)
15	-----	Ring Gear	(1)
16	42-70-0055	Clip	(1)
17	-----	Planet Gear Set	(8)
18	-----	Sun Gear	(1)
19	10-20-0790	Warning Label	(1)
20	-----	Carriage	(1)
21	-----	Rear Housing	(1)
22	-----	Ball Bearing	(1)
23	-----	Cam Shaft	(1)
24	-----	3/16" Dia. Steel Ball	(2)
25	-----	Compression Spring	(1)
26	-----	Washer	(1)
27	-----	3.0mm Dia. Steel Ball	(29)
28	14-29-0190	Gear Assembly	(1)

FIG.	PART NO.	DESCRIPTION OF PART	NO. REQ.
★30	44-90-1050	Hog Ring	(1)
31	45-88-0455	Washer	(1)
32	06-65-0085	Pin	(2)
35	-----	Gear Housing	(1)
36	14-30-0005	Gearcase Assembly with Bushing	(1)
37	06-81-0005	M3.5 x 24 Screw	(4)
★38	42-06-0310	3/8" Square Drive Anvil Assembly	(1)
★39	34-40-1885	Rubber Ring	(1)
44	-----	LED Label	(1)
45	-----	Hammer	(1)
46	12-20-2452	Service Nameplate	(1)
47	-----	Fuel Gauge LED Assembly	(1)
48	42-55-2450	Carrying Case, Optional	(1)
49	14-46-1705	Handle Set and Switch Assembly	(1)

FIG. LUBRICATION
(Type 'J' Grease, No. 49-08-4220):
36 Coat inside grooves of Bushing inside of gearcase with grease.
38 Lightly coat front washer surface of Anvil (38) with grease. Place a dab of grease in the Ball holes and in the hole in the back of the Anvil.

AS AN AID TO REASSEMBLY, TAKE NOTICE OF WIRE ROUTING AND POSITION IN WIRE GUIDES AND TRAPS WHILE DISMANTLING TOOL



WIRING SPECIFICATIONS

Wire No.	Wire Color	Origin or Gauge	Length	Terminals, Connectors and 1 or 2 End Wire Preparation
1	Black	23-30-0090	-----	Component of the motor assembly.
2	Red	23-30-0090	-----	Component of the motor assembly.
3	White	23-66-1132	-----	Component of the electronics module assembly.
4	Black	23-66-1132	-----	Component of the electronics module assembly.
5	Black	23-66-1132	-----	Component of the electronics module assembly.
6	Red	23-66-1132	-----	Component of the electronics module assembly.
7	White	23-66-1132	-----	Component of the electronics module assembly.
8	Red	23-66-1132	-----	Component of the electronics module assembly.
9	Red	23-66-1132	-----	Component of the electronics module assembly.
10	Yellow	23-66-1132	-----	Component of the electronics module assembly.
11	Blue	23-66-1132	-----	Component of the electronics module assembly.
12	Black	23-66-1132	-----	Component of the electronics module assembly.
13	Sleeve	23-66-1132	-----	Component of the electronics module assy. / Fuel gauge LED.