



SERVICE PARTS LIST

BULLETIN NO.
55-26-2461

SPECIFY CATALOG NO. AND SERIAL NO. WHEN ORDERING PARTS		REVISED BULLETIN	DATE
12 Volt 3/8" Square Drive Impact Wrench		55-26-2460	Mar. 2013
CATALOG NO.	2451-059	STARTING SERIAL NO.	D28B
		WIRING INSTRUCTION SEE PAGE THREE	

EXAMPLE:
 00 0 Component Parts (Small #)
 Are Included When Ordering
 The Assembly (Large #).



NOTE: Gear Assembly (28) must be attached to the Motor Assembly (7) prior to installing in Gearcase Assembly (36).

Service replacement Gear Assembly (28) comes with a motor mount plate that must be removed and discarded when servicing. A Motor Mount Plate (10) already exists on the Motor Assembly (7).

★ = Part number change from previous service parts list.

NOTE: Pins (13) are shorter than Pins (32).

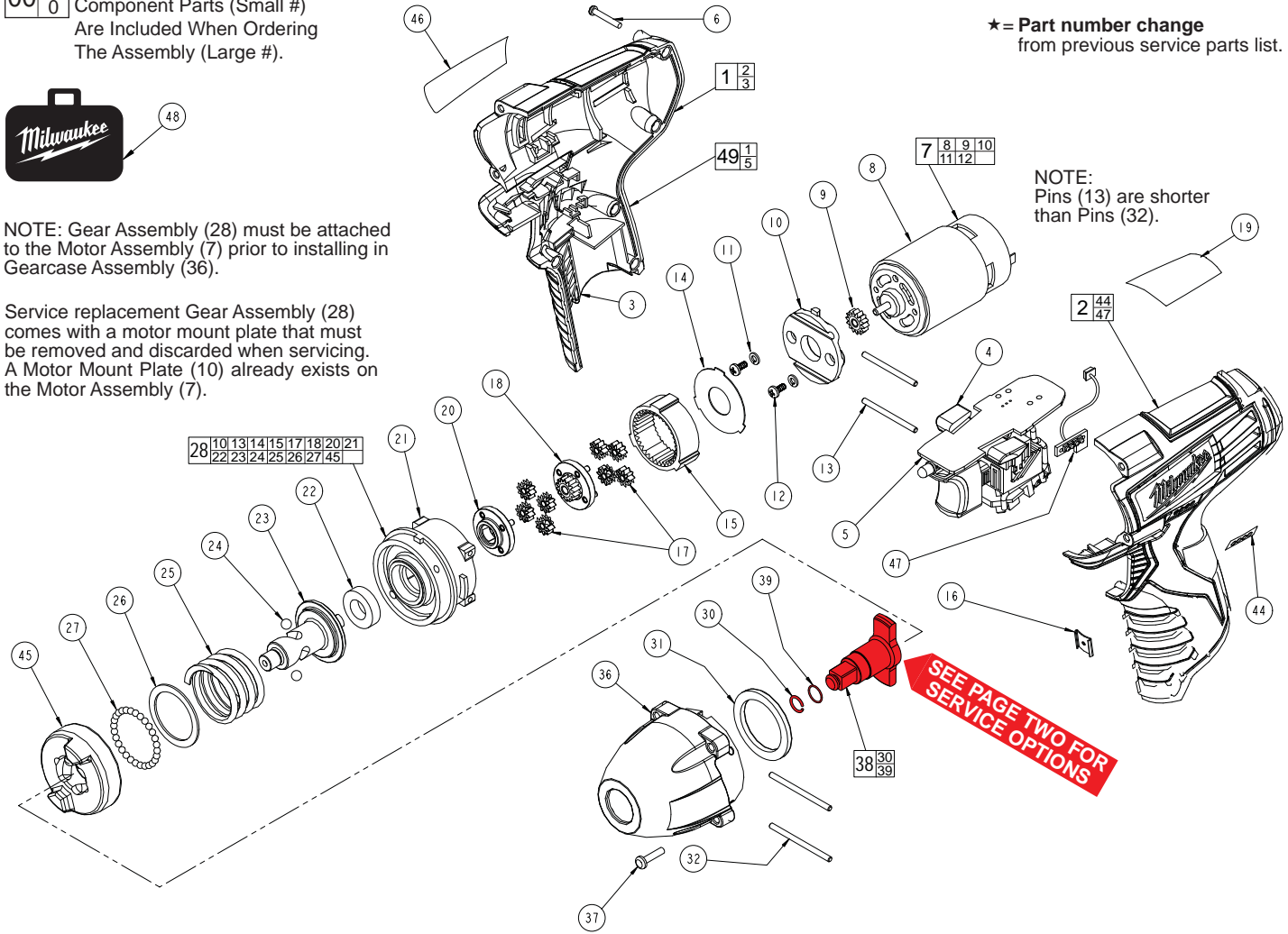


FIG.	PART NO.	DESCRIPTION OF PART	NO. REQ.	FIG.	PART NO.	DESCRIPTION OF PART	NO. REQ.
★ 1	31-50-2403	Handle Set	(1)	30	-----	Hog Ring <i>(See page two)</i>	(1)
2	-----	Left Handle Half	(1)	31	45-88-0455	Washer	(1)
3	-----	Right Handle Half	(1)	32	06-65-0085	Pin	(2)
4	45-24-0105	Fwd./Rev. Button	(1)	36	14-30-0005	Gearcase Assembly with Bushing	(1)
★ 5	23-66-1132	Electronics Module Assembly	(1)	37	06-81-0005	M3.5 x 24 Screw	(4)
6	06-82-2385	M2.6 x 14 T-9 Screw	(5)	38	-----	Anvil Assembly <i>(See page two)</i>	(1)
7	23-30-0090	Motor Service Assembly	(1)	39	-----	Rubber Ring <i>(See page two)</i>	(1)
8	-----	Motor	(1)	44	-----	LED Label	(1)
9	-----	Pinion	(1)	45	-----	Hammer	(1)
10	-----	Motor Mount	(1)	46	-----	Service Nameplate	(1)
11	-----	Washer	(2)	47	-----	Fuel Gauge LED Assembly	(1)
12	-----	M3 x 6 Screw	(2)	48	42-55-2450	Carrying Case, Optional	(1)
13	06-65-0075	Pin	(2)	★ 49	14-46-1705	Handle Set and Switch Assembly	(1)
14	-----	Washer	(1)				
15	-----	Ring Gear	(1)				
16	42-70-0055	Clip	(1)				
17	-----	Planet Gear Set	(8)				
18	-----	Sun Gear	(1)				
19	10-20-0790	Warning Label	(1)				
20	-----	Carriage	(1)				
21	-----	Rear Housing	(1)				
22	-----	Ball Bearing	(1)				
23	-----	Cam Shaft	(1)				
24	-----	3/16" Dia. Steel Ball	(2)				
25	-----	Compression Spring	(1)				
26	-----	Washer	(1)				
27	-----	3.0mm Dia. Steel Ball	(29)				
28	14-29-0190	Gear Assembly	(1)				

FIG. LUBRICATION
 (Type 'J' Grease, No. 49-08-4220):
 36 Coat inside grooves of Bushing (inside gearcase) with grease.
 38 Lightly coat front washer surface of Anvil (38) with grease. Place a dab of grease in the Ball holes and in the hole in the back of the Anvil.

No. 42-06-0301 3/8" SQUARE ANVIL ASSEMBLY
(Original Design)

- | | | | |
|----|------------|--|-----|
| 38 | 42-06-0301 | 3/8" Square Drive Anvil Assembly with Needle Bearing | (1) |
| 30 | 44-90-1000 | Hog Ring | (1) |
| 39 | 34-40-0475 | Rubber Ring | (1) |

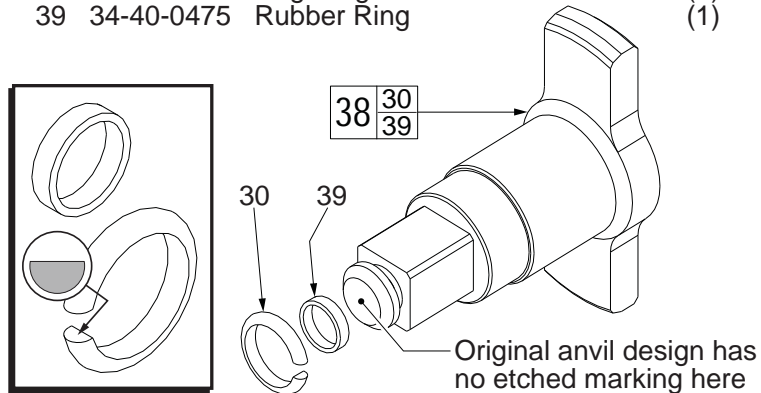


FIG. 1

IMPORTANT!
Hog Ring and O-Ring components of the 3/8" Square Anvil Assemblies for M12™ Impact Wrenches are unique and are NOT INTERCHANGEABLE between Anvil Assemblies

Original Anvil Assembly 42-06-0301 (Fig. 1) uses Hog Ring 44-90-1000 and O-Ring 34-40-0475

Service Replacement Anvil Assembly 42-06-0310 (Fig. 2), identified by an etched symbol on the front face of the anvil, use Hog Ring 44-90-1050 and O-Ring 34-40-1885

If you have any questions please call
After-Sales Service-Technical Support
1.800.729.3878

No. 42-06-0310 3/8" SQUARE ANVIL ASSEMBLY
(Service Replacement)

- | | | | |
|----|-------------------|--|-----|
| 38 | 42-06-0310 | 3/8" Square Drive Anvil Assembly with Needle Bearing | (1) |
| 30 | 44-90-1050 | Hog Ring | (1) |
| 39 | 34-40-1885 | Rubber Ring | (1) |

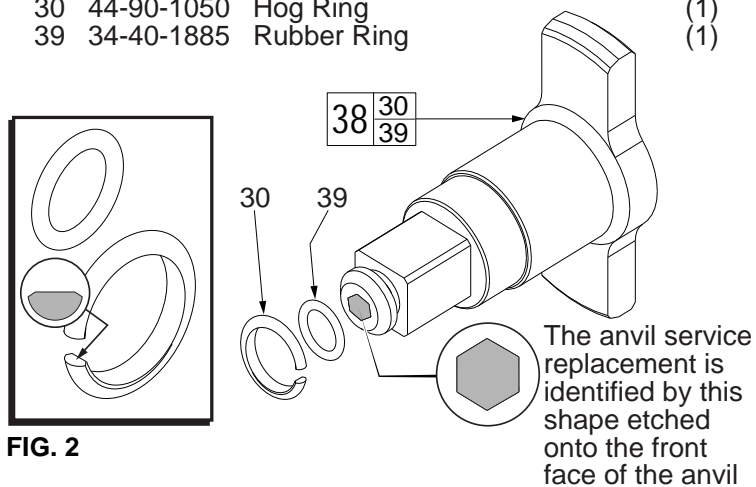
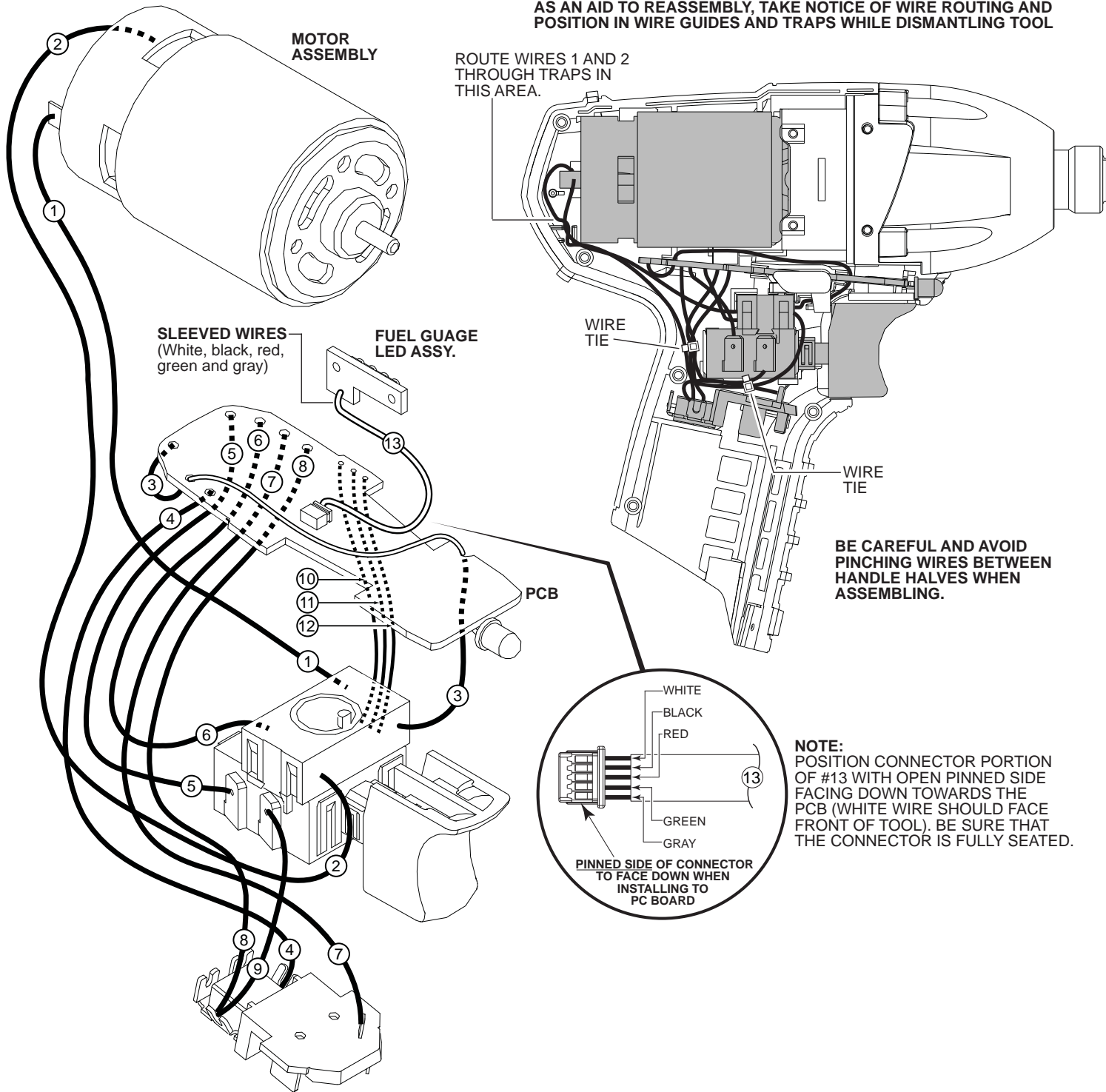


FIG. 2

AS AN AID TO REASSEMBLY, TAKE NOTICE OF WIRE ROUTING AND POSITION IN WIRE GUIDES AND TRAPS WHILE DISMANTLING TOOL



WIRING SPECIFICATIONS

Wire No.	Wire Color	Origin or Gauge	Length	Terminals, Connectors and 1 or 2 End Wire Preparation
1	Black	23-30-0090	-----	Component of the motor assembly.
2	Red	23-30-0090	-----	Component of the motor assembly.
3	White	23-66-1105	-----	Component of the electronics module assembly.
4	Black	23-66-1105	-----	Component of the electronics module assembly.
5	Black	23-66-1105	-----	Component of the electronics module assembly.
6	Red	23-66-1105	-----	Component of the electronics module assembly.
7	White	23-66-1105	-----	Component of the electronics module assembly.
8	Red	23-66-1105	-----	Component of the electronics module assembly.
9	Red	23-66-1105	-----	Component of the electronics module assembly.
10	Yellow	23-66-1105	-----	Component of the electronics module assembly.
11	Blue	23-66-1105	-----	Component of the electronics module assembly.
12	Black	23-66-1105	-----	Component of the electronics module assembly.
13	Sleeve	23-66-1105	-----	Component of the electronics module assy. / Fuel gauge LED.