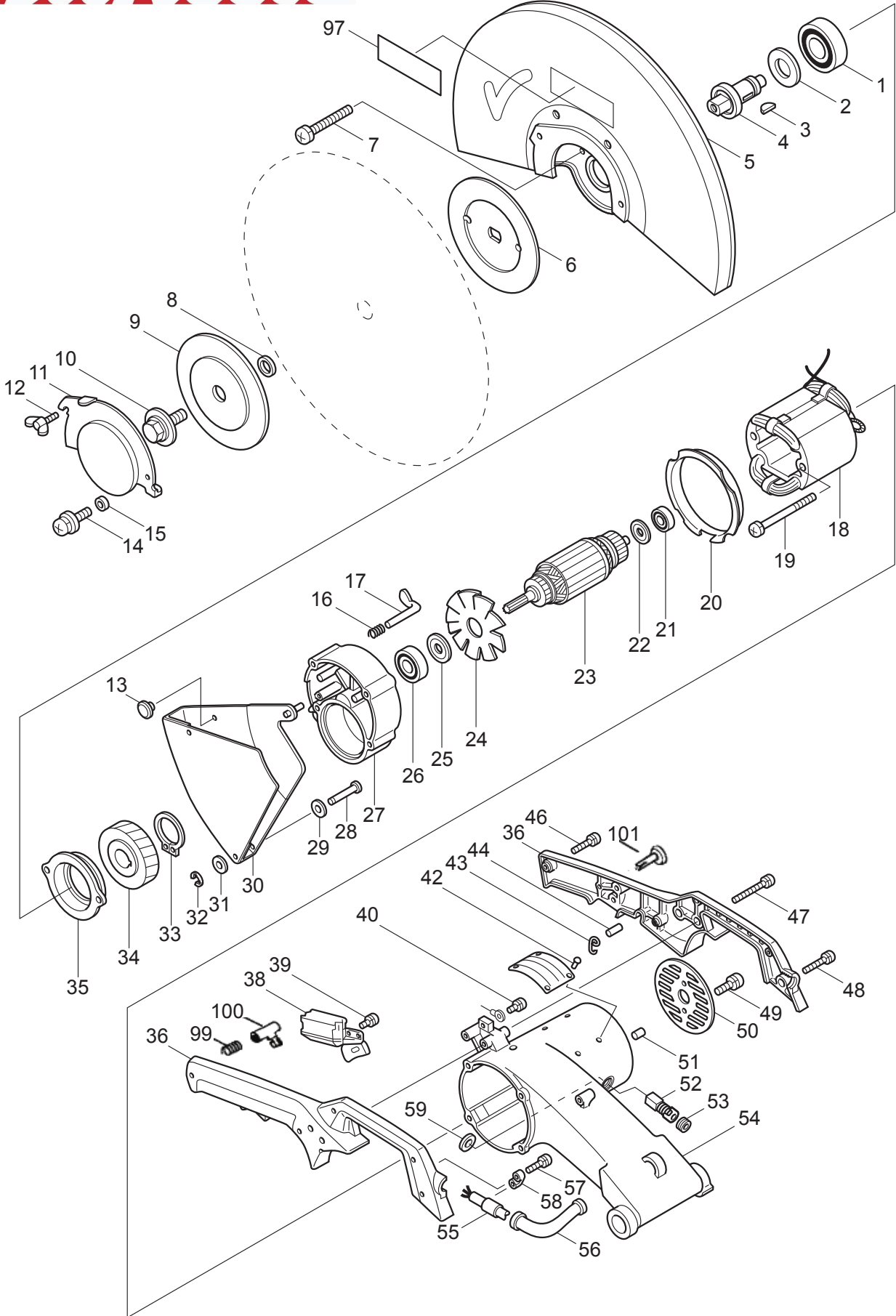
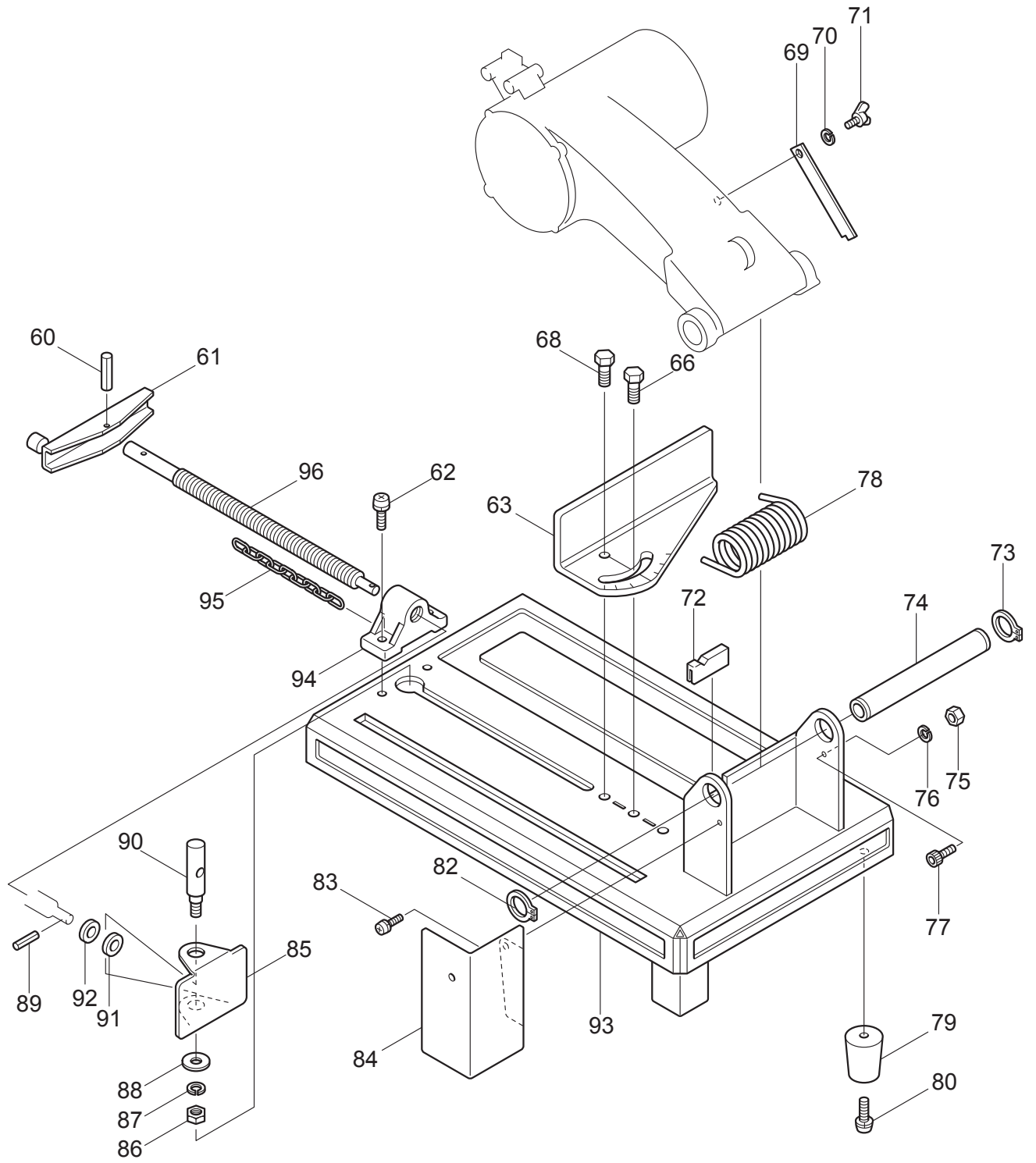




08 - 2010  
2416S  
16" CUT-OFF SAW





Item No.	Type	Sub	Part No.	Description	Qty	Unit
1			211361-5	BALL BEARING 6305LLB	1	PC.
2			253888-9	FLAT WASHER 25	1	PC.
3			254032-1	WOODRUFF KEY 5	1	PC.
4			321645-4	SPINDLE	1	PC.
5	1		155690-5	SAFETY COVER COM. (ENGLISH LABEL)	1	PC.
	2		155736-7	SAFETY COVER COMPLETE (ENG & FR LABEL)	1	PC.
6			224219-9	INNER FLANGE 102	1	PC.
7			911381-6	PAN HEAD SCREW M6X60	4	PC.
8			257104-1	RING 22	1	PC.
9			224218-1	OUTER FLANGE 102	1	PC.
10			251680-7	HEX. BOLT M10X25	1	PC.
11			342666-3	CENTER CAP	1	PC.
12			924306-1	WING BOLT M6X10	1	PC.
13			416771-3	PLUG	2	PC.
14			911309-4	PAN HEAD SCREW M6X10	1	PC.
15			257105-9	RING 6	1	PC.
16			231240-1	COMPRESSION SPRING 7	1	PC.
17			321682-8	STOPPER	1	PC.
18			524751-6	FIELD ASS'Y 115V (OLD# 624751-7)	1	PC.
		INC.	654020-2	RING TERMINAL	2	PC.
		INC.	654502-4	CONNECTOR P-2	2	PC.
19			911938-3	PAN HEAD SCREW M5X85	2	PC.
20			343299-7	BAFFLE PLATE	1	PC.
21			211066-7	BALL BEARING 6200LLB	1	PC.
22			213051-6	DUST SEAL 10	1	PC.
23			514881-1	* ARMATURE ASS'Y 115V	1	PC.
		INC.		* Item No. 21,22,24		
24			241515-0	FAN 92 (OLD# 241054-0)	1	PC.
25			253887-1	FLAT WASHER 15	1	PC.
26			211211-4	BALL BEARING 6302LLB	1	PC.
27	1		157822-0	* GEAR HOUSING - N/L/A	1	PC.
		INC.	267039-8	FLAT WASHER 32	1	PC.
		INC.	213513-4	O RING 39	1	PC.
	2		151829-8	* GEAR HOUSING COMPLETE	1	PC.
		INC.	212104-8	NEEDLE BEARING 1212	1	PC.
		INC.	213513-4	O RING 39	1	PC.
		INC.	213561-3	O RING 42	1	PC.
		INC.	267039-8	FLAT WASHER 32	1	PC.
28			256643-8	PIN 7	1	PC.
29			253022-1	FLAT WASHER 8	1	PC.
30			165276-7	* SAFETY GUARD	1	PC.
31			253022-1	FLAT WASHER 8	1	PC.
32			961018-5	STOP RING E-5	1	PC.
33			961105-0	RETAINING RING S-25	1	PC.
34			221730-2	HELICAL GEAR 53	1	PC.
35			315636-5	BEARING HOUSING	1	PC.
36			181978-7	HANDLE SET	1	SET
		INC.	931102-0	HEX NUT 4	4	PC.
		INC.	931202-6	HEX NUT 5	3	PC.
38			651131-4	SWITCH C3D-15MS	1	PC.
39			911113-1	PAN HEAD SCREW M4X10	1	PC.
40			652014-1	PAN HEAD SCREW M4X8	1	PC.
42			953106-2	RIVET 0-5	4	PC.
43	1		281207-9	HANGER	1	PC.
	2		281216-8	HANGER	1	PC.
44			256012-3	PIN 6	1	PC.
46			911148-2	PAN HEAD SCREW M4X25	4	PC.

Item No.	Type	Sub	Part No.	Description	Qty	Unit
47			911273-9	PAN HEAD SCREW M5X50	2	PC.
48			911253-5	PAN HEAD SCREW M5X30	1	PC.
49			911211-1	PAN HEAD SCREW M5X12	2	PC.
50			284010-7	REAR COVER	1	PC.
51			263002-9	RUBBER PIN 4	1	PC.
52	1		181047-4	CARBON BRUSH CB-154 2PC/SET (W/O ORIGIN)	1	SET
	2		194986-9	CARBON BRUSH CB-154 2PC/SET (W/ ORIGIN)	1	SET
	Opt.1		181048-2	A.C. CARBON BRUSH CB-155 2PC/SET (W/O ORIGIN)	1	SET
	Opt.2		194987-7	A.C. CARBON BRUSH CB-155 2PC/SET (W/ ORIGIN)	1	SET
53			643650-4	BRUSH HOLDER CAP 6.5-13.5	2	PC.
54			157753-3	* MOTOR HOUSING COMPLETE	1	PC.
		INC.	643653-8	* BRUSH HOLDER 6.5-13.5	2	PC.
		INC.	913206-0	* SET SCREW M5X8	2	PC.
		INC.		* Item No. 51		
55			664820-2	CORD W/PLUG 3P-14-2.5M, SJ	1	PC.
56			682507-4	CORD GUARD 12-200	1	PC.
57			911133-5	PAN HEAD SCREW M4X18 (OLD# 911131-9)	2	PC.
58			687000-3	STRAIN RELIEF (OLD# 687001-1)	1	PC.
59			681002-1	INSULATION WASHER	2	PC.
60			951163-4	SPRING PIN 5-20	1	PC.
61	1		272019-1	HANDLE 120 (For Regular Vice)	1	PC.
	2		272021-4	HANDLE 120 (For Quick Vice)	1	PC.
62			911451-1	PAN HEAD SCREW M8X30 (OLD# 911441-4)	2	PC.
63			331252-5	GUIDE	1	PC.
66			265201-9	HEX. BOLT M10X25	1	PC.
68			265201-9	HEX. BOLT M10X25	1	PC.
69			343422-4	* STOPPER PLATE	1	PC.
70			942151-2	* SPRING WASHER 6	1	PC.
71			924316-8	* WING BOLT M6X15	1	PC.
72			342759-6	RETAINER	1	PC.
73			961104-2	RETAINING RING S-24	1	PC.
74			331251-7	PIPE 24	1	PC.
75			931302-2	HEX. NUT M6	1	PC.
76			942151-2	SPRING WASHER 6	1	PC.
77			922317-0	HEX. SOCKET HEAD BOLT M6X14	1	PC.
78			231569-5	TORSION SPRING 30	1	PC.
79			421277-8	CUSHION	3	PC.
80			911349-2	PAN HEAD SCREW M6X28	3	PC.
82			961104-2	RETAINING RING S-24	1	PC.
83			911316-7	PAN HEAD SCREW M6X14	1	PC.
84			342678-6	SPARK CHUTE	1	PC.
85			342679-4	VICE PLATE (OLD# 343546-6)	1	PC.
86			931402-8	HEX. NUT M8 (OLD# 931401-0)	1	PC.
87			942201-3	SPRING WASHER 8	1	PC.
88			253752-4	FLAT WASHER 8	1	PC.
89			951066-2	SPRING PIN 3-18	1	PC.
90			321680-2	SCREW M8 (OLD# 265922-3)	1	PC.
91			253731-2	FLAT WASHER 8	1	PC.
92			253731-2	FLAT WASHER 8	1	PC.
93			164710-4	BASE	1	PC.
94	1		311714-9	VICE NUT (For Regular Vice)	1	PC.
	2		322209-7	VICE NUT (For Quick Vice)	1	PC.
95	1		282010-1	CHAIN - N/L/A	1	PC.
	2		282016-9	CHAIN	1	PC.
96	1		321681-0	VICE SCREW (For Regular Vice)	1	PC.
	2		322240-3	VICE SCREW (For Quick Vice)	1	PC.
97			819064-1	MAKITA MARK	1	PC.

Item No.	Type	Sub Part No.	Description	Qty	Unit
99		231026-3	COMPRESSION SPRING 4	1	PC.
100		411446-9	SWITCH LOCK TYPE 2	1	PC.
101		411447-7	LOCK-OFF BUTTON	1	PC.
103		311949-2	SCREW GUIDE (For Quick Vice)	1	PC.
200		652014-1	P.H. SCREW M4 X 18	5	PC.
201		654002-4	EYE TERMINAL 1.25-M4	5	PC.

### ACCESSORIES

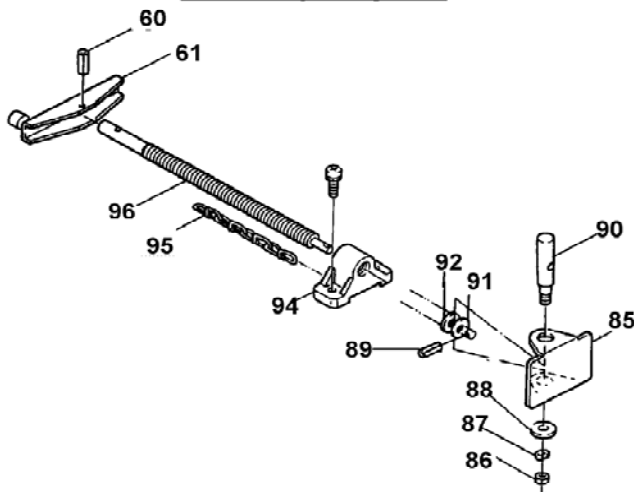
- See catalogue or visit [www.makita.ca](http://www.makita.ca) for other optional accessories -

A01	A-90174	16" CUT-OFF WHEEL A36PDF 5PC/PK	1	PC.
	A-05050	16" CUT-OFF WHEEL A36PBF 25PC/PK	1	PC.
A02	782210-8	SOCKET WRENCH 17	1	PC.
A03	134549-9	QUICK VISE ASSY	1	PC.

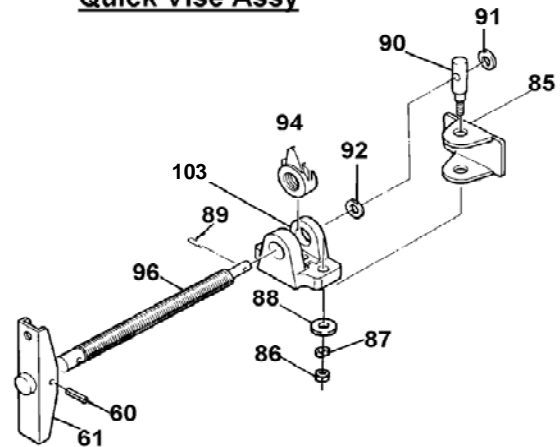
### REGULAR VICE ASSY vs. QUICK VICE ASSY

Regular Vice Assy (Type1)			Quick Vice Assy (Type2)	
Item No.	Part No.	Description	Part No.	Description
A03	N/A	<b>REGULAR VICE ASSY (Includes below parts)</b>	<b>134549-9</b>	<b>QUICK VICE ASSY (Includes below parts)</b>
60	951163-4	SPRING PIN 5-20	951163-4	SPRING PIN 5-20
61	272019-1	HANDLE 120	272021-4	HANDLE 120
85	342679-4	VICE PLATE	342679-4	VICE PLATE (OLD# 343546-6)
86	931402-8	HEX. NUT M8 (OLD# 931401-0)	931402-8	HEX. NUT M8
87	942201-3	SPRING WASHER 8	942201-3	SPRING WASHER 8
88	253752-4	FLAT WASHER 8	253752-4	FLAT WASHER 8
89	951066-2	SPRING PIN 3-18	951066-2	SPRING PIN 3-18
90	321680-2	SCREW M8	321680-2	SCREW M8 (OLD# 265922-3)
91	253731-2	FLAT WASHER 8	253731-2	FLAT WASHER 8
92	253731-2	FLAT WASHER 8	253731-2	FLAT WASHER 8
94	311714-9	VICE NUT	322209-7	VICE NUT
96	321681-0	VICE SCREW	322240-3	VICE SCREW
103	N/A	SCREW GUIDE	311949-2	SCREW GUIDE

#### Vice Assy (Regular)



#### Quick Vice Assy



(T/l# 89417)