

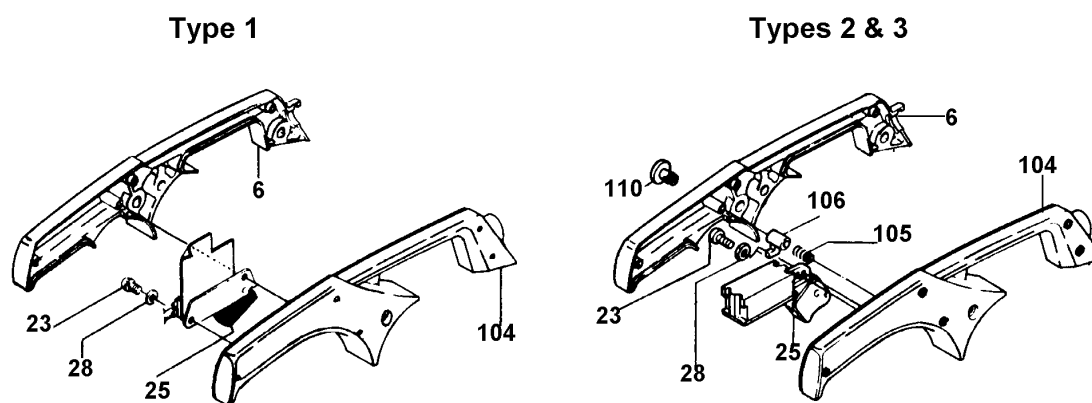
Item No.	Part No.	No. Used	Description	Item No.	Part No.	No. Used	Description
1	911148-2	3	P.H. Screw M4x25 (With Washer)	52	*	1	Gear Housing
2	654502-4	2	Solderless Connector P-2	53	211061-7	1	Ball Bearing 6000LLB
3	911273-9	2	P.H. Screw M5x50 (With Washer)	54	961060-6	1	Retaining Ring S-20
4	911253-5	1	P.H. Screw M5x30 (With Washer)	55	221628-3	1	Helical Gear 54
5	931102-0	3	Hex Nut M4	56	312911-0	1	Bearing Housing
6	*	1	Handle (L)	57	253755-8	1	Flat Washer 20
7	911133-5	2	P.H. Screw M4x18 (With Washer) (Old 911131-9)	58	911276-3	4	P.H. Screw M5x5 5 (With Washer)
8	687001-1	1	Strain Relief	59	224139-7	1	Inner Flange
9	682507-4	1	Cord Guard	60	257060-5	1	Ring
10	664723-0	1	Cord With Plug 3P-16-2.5, SJ	61	224136-3	1	Outer Flange
11	911334-5	1	P.H. Screw M6x20 (With Washer) * (Old)	62	251680-7	1	Hex Bolt M10x25 (With Washer)
12	322049-3	1	Hook	63	253751-6	1	Flat Washer 24
13	924206-5	1	Thumb Screw M5x10	64	251 683-1	1	Hex Bolt M8x40
14	942101-7	1	Spring Washer 5	65	942201-3	1	Spring Washer 8
15	341395-5	1	Stopper Plate	66	345141-8	1	Pipe Cover (L)
16	931302-2	1	Hex Nut M6 * (Old)	67	251683-1	1	Hex Bolt M8x40
17	931302-2	1	Hex Nut M6	68	942201-3	1	Spring Washer 8
18	942151-2	1	Spring Washer 6	69	345142-6	1	Pipe Cover (R)
19	253011-6	1	Flat Washer 6	70	253751-6	1	Flat Washer 24
20	*	1	Chain	71	331087-4	1	Pipe 24
21	265380-3	1	Hex Bolt M6x18 *	72	231 526-3	1	Torsion Spring 26
22	953106-2	4	Rivet 0-5	73	942251-8	2	Spring Washer 10
23	*	*	P.H. Screw (With Washer)	74	265201-9	2	Hex Bolt M10x25 (With Washer)
24	284010-7	1	Rear Cover	75	941251-5	1	Flat Washer 10
25	*	1	Switch	76	345145-0	1	Guide Plate (Type 1) *
26	911211-1	2	P.H. Screw M5x12 (With Washer)	345145-0A	1	Guide Plate (Type 2) *	
27	654020-2	2	Garter Spring	77	345147-6	1	Chip Guide
28	*	*	Flat Washer 4	78	*	3	P.H. Screw M6x20 (With Washer)
29	263002-9	1	Rubber Pin 4	79	*	3	Flat Washer 6
30	643650-4	2	Brush Holder Cap	80	*	3	Cushion
31	181047-4	2	Carbon Brush CB-154 (2pcs/Set)	81	*	3	Cover
	181048-2	2	Auto Cut-Off Carbon Brush CB-155 (2pcs/Set)	82	*	1	Handle
32	156409-5	1	Motor Housing (With Items 29, 111 & 112) (Old 156770-0)	83	*	1	Spring Pin
33	681002-1	2	Insulation Washer	84	164450-4	1	Base Assy (Includes Items 78-81)
34	343299-7	1	Baffle Plate (Fan Guide)	85	931401-0	1	Hex Nut M8*
35	211066-7	1	Ball Bearing 6200LLB	86	942201-3	1	Spring Washer 8.
36	213051-6	1	Dust Seal 10	87	253752-4	1	Flat Washer 8*
37	624491-7	1	Field Assy (With Items 2 & 27)	88	232047-8	1	Leaf Spring (Old) *
38	911938-3	2	P.H. Screw M5x85 (With Washer & Bond) (Old 925901 -0)	89	253011-6	1	Flat Washer 6
39	614541-6	1	Armature Assy (Includes Items 35, 36 & 40 - 42)	90	911316-7	1	P.H. Screw M6x14 (With Washer)
40	24151 5-0	1	Fan 92 (Old 241054-0)	91	*	1	Vise Plate
41	213202-1	1	Dust Seal 15	92	*	1	Hex Bolt/Screw
42	211206-7	1	Ball Bearing 6202LLB	93	342497-0	1	Screw Cover (Old) *
43	155201-6	1	Safety Cover	94	*	1	Flat Washer
44	325530-3	1	Spindle 5/8"	95	342496-2	1	Connector (Old) *
45	254032-1	1	Woodruff Key 5	96	911451-1	2	P.H. Screw M8x30 (With Washer)
46	211306-3	1	Ball Bearing 6204LLB	97	*	1	Flat Washer
47	263005-3	1	Rubber Pin 6	98	*	1	Vise Nut
48	263002-9	1	Rubber Pin 4	99	*	1	Spring Pin
49	231240-1	1	Compression Spring 7	100	*	1	Vise Screw
50	325518-3	1	Stopper (Shaft Lock)	101	961012-7	1	Stop Ring E-6 (Type 2) *
51	*	1	Rubber Pin 6 (Type 1)	102	271607-1	1	Knob 20 (Type 2) *
				103	256614-5	1	Pin 8 (Type 2) *
				104	*	1	Handle (R) (Includes Items 5 & 107)
				105	*	1	Compression Spring 4 (Type 2 Added)
				106	*	1	Switch Lock (Type 2 Added)
				107	931202-6	3	Hex Nut M5

* SEE SERVICE CHANGES

Item No.	Part No.	No. Used	Description	Item No.	Part No.	No. Used	Description
108	911106-8	1	Screw M4x8	Accessories			
109	*	1	O Ring 35 (Type 2)	A01	782210-8	1	Socket Wrench 17
110	411447-7	1	Lock-Off Switch Button *	A02	---	1	Cut-Off Wheel (See Catalogue for Details)
111	643653-8	2	Brush Holder	A03	*	1	Vise Assembly (Types 1 & 2) (Includes Type 1 Items 82, 83, 85-88, 91-95, & 97-100 or Type 2 Items 82, 83, 85-88, 91-95, & 97-103)
112	913206-0	2	Set Screw M5x8	A04	134548-1	1	Quick Vise Assy (Type 3) (Includes Items 82, 83, 85-87, 91, 92, 94, 97-100 & 113)
113	311949-2	1	Screw Guide (Old 311830-7) *				
114	416771-3	1	Plug				
200	652014-1	5	(+) P.H. Screw M4x8				
201	654038-3	2	Insulated Eye Terminal FV1.25-M4				
202	654002-4	1	Solderless Eye Terminal 1.25-M4				
203	654014-7	2	Insulated Eye Terminal FV2-M4				

SERVICE CHANGES

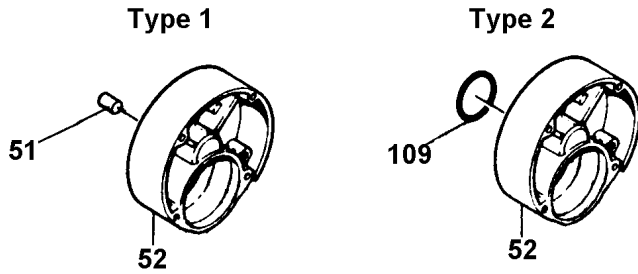
1. Change on Handle and Switch.



Item No.	Description	Type 1	Type 2	Type 3
6	Handle (L)	411380-3 (No Longer Available)	411433-8 (No Longer Available)	181153-5 (Set)
104	Handle (R)	411381-1 (No Longer Available)	411434-6	
23	P.H. Screw	911101-8 (M4X6) (1pc)	911111-5 or 911113-1 (M4X10) (2pcs)	
25	Switch	651008-3 (No Longer Available)	651113-6 (No Longer Available)	651131-4
		(AC Single Pole)	(AC/DC Double Pole)	
28	Flat Washer 4	941052-1 (1pc)	941051-3 (2pcs)	
105	Compression Spring 4	-----	231026-3 (Added)	
106	Switch Lock	-----	411446-9 (Added)	
110	Lock-Off Switch Button	-----	411447-7	
	Serial #	~ 3389E	3390E ~ 244866E	244867E ~

Above parts are completely interchangeable as a set.

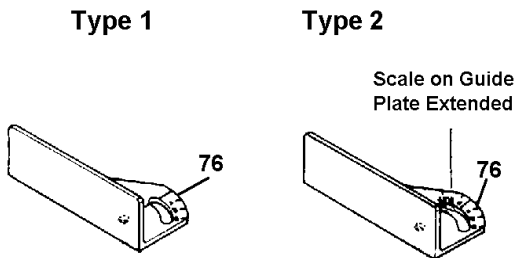
2. Change on Gear Housing.



Item No.	Description	Type 1	Type 2
51	Rubber Pin 6	263005-3	(Discontinued)
52	Gear Housing	312913-6 (No Longer Available)	157331-9
109	O Ring 35	-----	213460-9
	Serial #	~ 142453E	142454E ~

Above parts are completely interchangeable as a set.

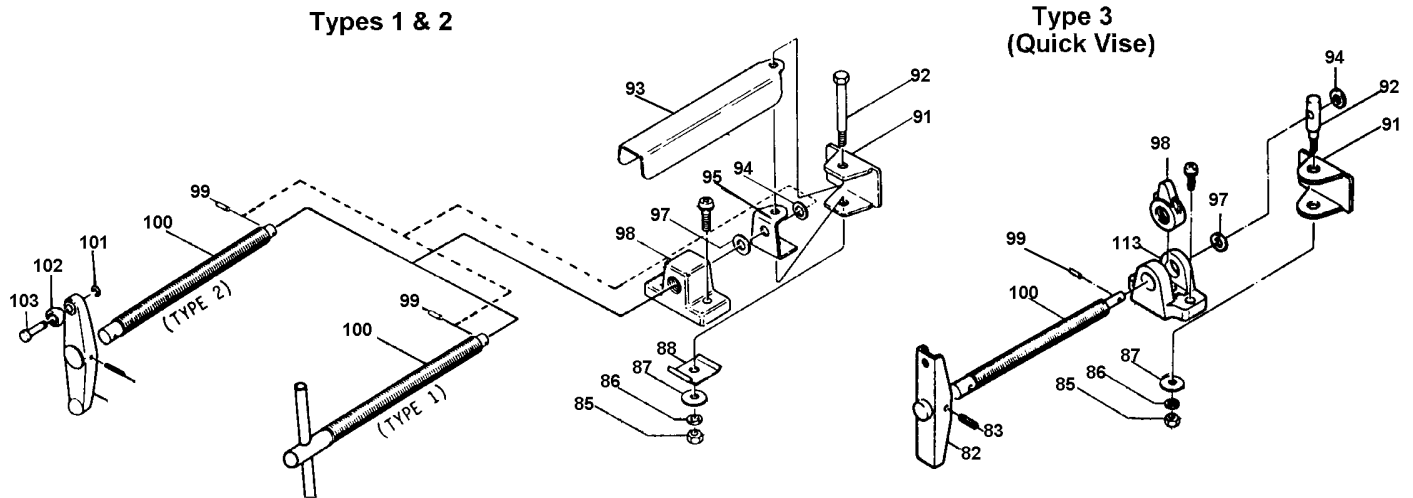
3. Change on Guide Plate.



Item No.	Description	Type 1	Type 2
76	Guide Plate	345145-0 (No Longer Available)	345145-0A
	Serial #	~ 115387E	115388E ~

Above part is completely interchangeable as itself.

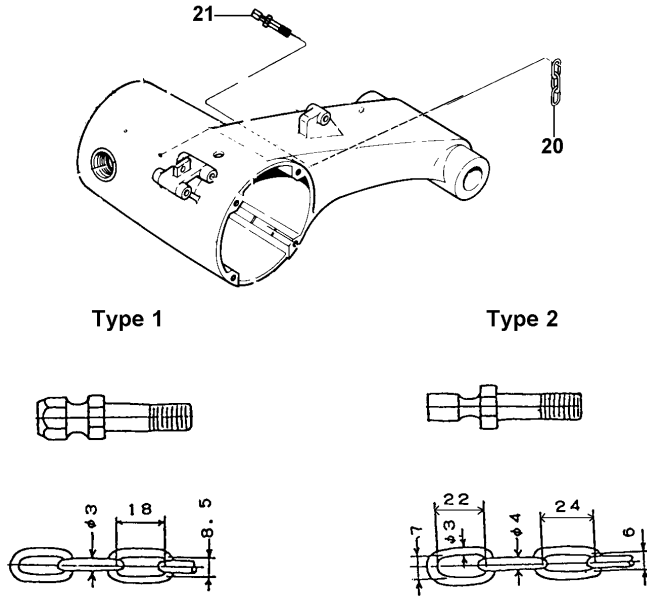
4. Change on Vice Assembly.



Item No	Description	Type 1	Type 2	Type 3 (Quick Vice)
82	Handle 130/120	-----	272014-1	272021-4
83	Spring Pin 5-28/5-20	-----	951169-2	951163-4
85	Hex Nut M8		931401-0	
86	Spring Washer 8		942201-3	
87	Flat Washer 8		253752-4	
88	Leaf Spring	232047-8		-----
91	Vise Plate	342495-4		343546-6
92	Hex Bolt M6/Screw M8	251679-2		265922-3
93	Screw Cover	342497-0		-----
94	Flat Washer 12/8	253052-2		253731-2
95	Connector	342496-2		-----
97	Flat Washer 12/8	253744-3		253731-2
98	Vise Nut	311402-8		322209-7
99	Spring Pin 4-20/3-18	951116-3		951066-2
100	Vise Screw	163095-5 (No Longer Available)	323689-0	322239-8
101	Stop Ring E-6	-----	961012-7	-----
102	Knob 20	-----	271607-1	-----
103	Pin 8	-----	256614-5	-----
113	Screw Guide	-----	-----	311949-2 (Old 311831-7)
A03/A04	Vice Assembly	-----	132373-4 (No Longer Available)	134548-1
	Serial #	N/A	~ 226507E	226508E ~

Above parts are completely interchangeable as a set.

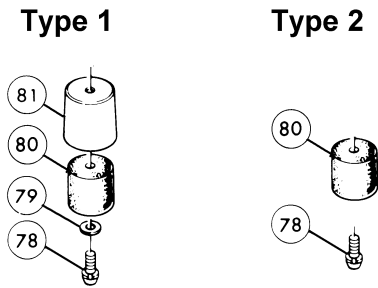
5. Change on Chain and Hex Bolt M6X18.



Item No.	Description	Type 1	Type 2
20	Chain	282005-4 (No Longer Available)	282013-5
21	Hex Bolt M6X18	251682-3 (No Longer Available)	265380-3
	Serial No.	~ 227380E	227381E ~

Above parts are completely interchangeable as a set.
Type 2 Hex Bolt can fit to Type 1 chain.

6. Change on Cushion and Cover.



Item No.	Description	Type 1	Type 2
78	P.H. Screw	911331-1(M6X20)	911349-2 (M6X28)
79	Flat Washer 6	253111-2	-----
80	Cushion	411387-9	421277-8
81	Cover	342498-8	-----

Above parts are completely interchangeable as a set.