



SERVICE PARTS LIST

BULLETIN NO.
55-06-2410

SPECIFY CATALOG NO. AND SERIAL NO. WHEN ORDERING PARTS		REVISED BULLETIN	DATE
Cordless 12 Volt 3/8" Driver Drill			Nov. 2013
CATALOG NO.	2410-059	STARTING SERIAL NO.	D22A
		WIRING INSTRUCTION SEE REVERSE SIDE	

EXAMPLE:

00	0
----	---

 Component Parts (Small #)
 Are Included When Ordering
 The Assembly (Large #).

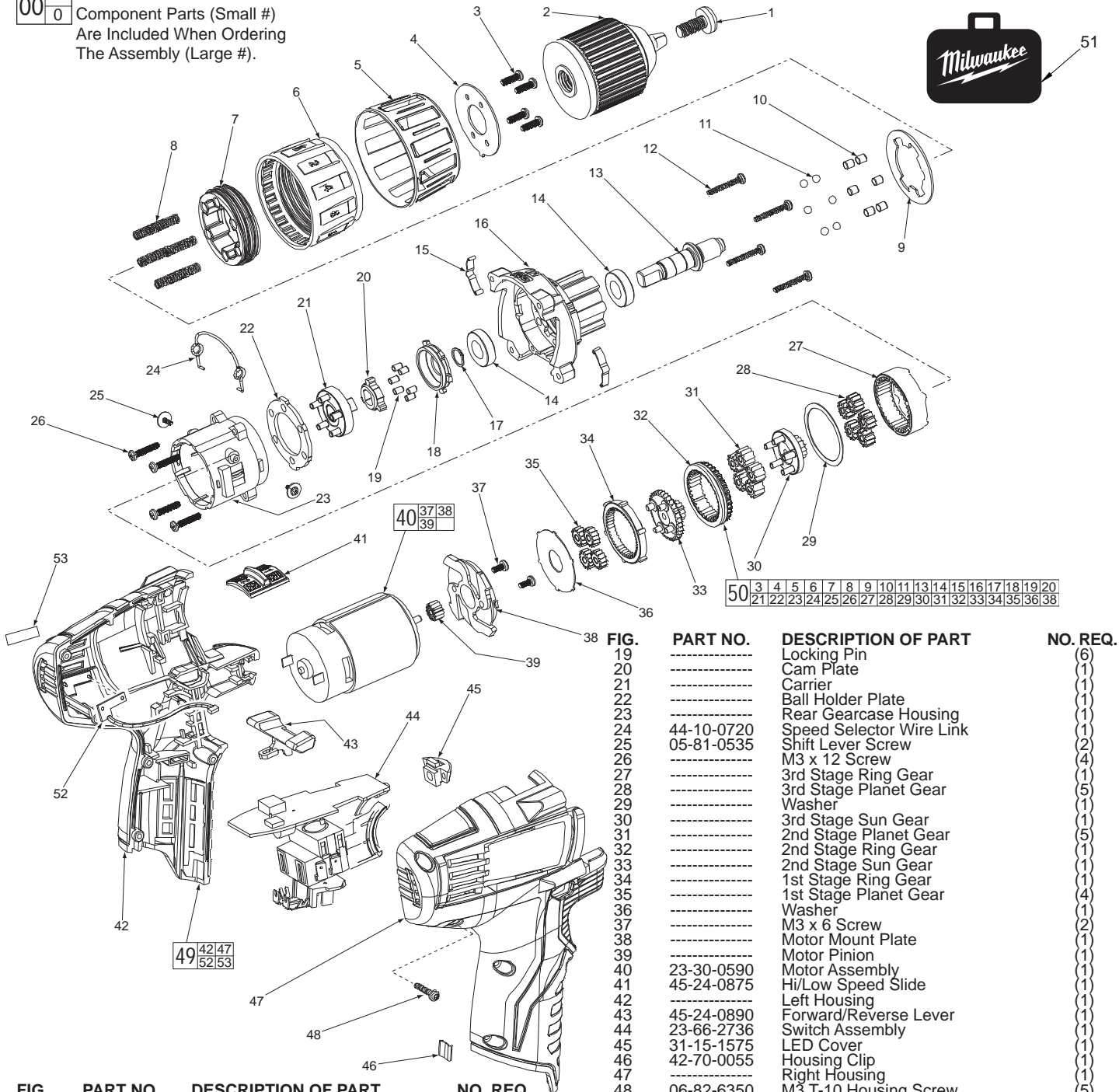
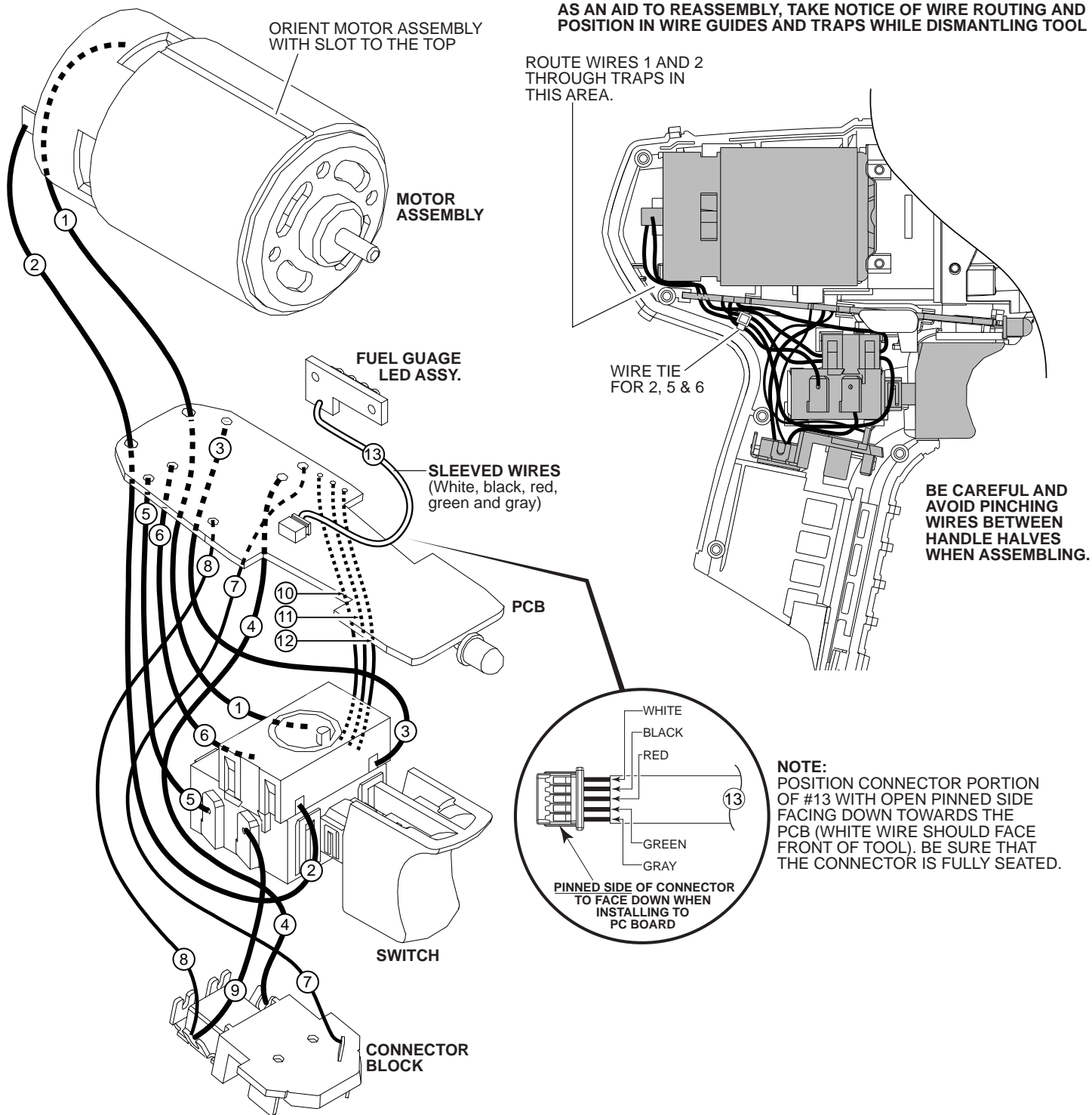


FIG.	PART NO.	DESCRIPTION OF PART	NO. REQ.
1	05-88-1680	Chuck Screw	(1)
2	42-66-0825	Chuck	(1)
3	-----	M3 x 10 Screw	(4)
4	-----	Spring plate Holder	(1)
5	-----	Clutch Ring Cap	(1)
6	-----	Clutch Ring Cup	(1)
7	-----	Sleeve	(1)
8	-----	Spring	(6)
9	-----	Clutch Washer	(1)
10	-----	Pin	(6)
11	-----	Ball	(6)
12	06-82-7336	Gearcase Screw	(4)
13	-----	Output Shaft	(1)
14	-----	Ball Bearing	(2)
15	-----	Stamping	(2)
16	-----	Front Gearcase Housing	(1)
17	-----	Retaining Ring	(1)
18	-----	Outer Bracket	(1)

FIG.	PART NO.	DESCRIPTION OF PART	NO. REQ.
19	-----	Locking Pin	(6)
20	-----	Cam Plate	(1)
21	-----	Carrier	(1)
22	-----	Ball Holder Plate	(1)
23	-----	Rear Gearcase Housing	(1)
24	44-10-0720	Speed Selector Wire Link	(1)
25	05-81-0535	Shift Lever Screw	(2)
26	-----	M3 x 12 Screw	(4)
27	-----	3rd Stage Ring Gear	(1)
28	-----	3rd Stage Planet Gear	(5)
29	-----	Washer	(1)
30	-----	3rd Stage Sun Gear	(1)
31	-----	2nd Stage Planet Gear	(5)
32	-----	2nd Stage Ring Gear	(1)
33	-----	2nd Stage Sun Gear	(1)
34	-----	1st Stage Ring Gear	(1)
35	-----	1st Stage Planet Gear	(4)
36	-----	Washer	(1)
37	-----	M3 x 6 Screw	(2)
38	-----	Motor Mount Plate	(1)
39	-----	Motor Pinion	(1)
40	23-30-0590	Motor Assembly	(1)
41	45-24-0875	Hi/Low Speed Slide	(1)
42	-----	Left Housing	(1)
43	45-24-0890	Forward/Reverse Lever	(1)
44	23-66-2736	Switch Assembly	(1)
45	31-15-1575	LED Cover	(1)
46	42-70-0055	Housing Clip	(1)
47	-----	Right Housing	(1)
48	06-82-6350	M3 T-10 Housing Screw	(5)
49	31-44-1240	Housing Kit	(1)
50	14-30-1000	Gearcase Assembly	(1)
51	42-55-2410	Carrying Case, Optional	(1)
52	-----	Fuel Gauge	(1)
53	-----	Fuel Gauge Label	(1)
	10-20-2698	Service Nameplate (Not Shown)	(1)
		Warning Label (Not Shown)	(1)

FIG. 38,40,50
NOTES:
 Service replacement gearcase assembly (50) comes with a motor mount plate (38) that must be removed and discarded when servicing. A motor mount plate already exists on the motor assembly (40).

AS AN AID TO REASSEMBLY, TAKE NOTICE OF WIRE ROUTING AND POSITION IN WIRE GUIDES AND TRAPS WHILE DISMANTLING TOOL



WIRING SPECIFICATIONS

Wire No.	Wire Color	Origin or Gauge	Length	Terminals, Connectors and 1 or 2 End Wire Preparation
1	Black	23-30-0590	-----	Component of the motor assembly.
2	Red	23-30-0590	-----	Component of the motor assembly.
3	White	23-66-2736	-----	Component of the switch assembly.
4	Black	23-66-2736	-----	Component of the switch assembly.
5	Black	23-66-2736	-----	Component of the switch assembly.
6	Red	23-66-2736	-----	Component of the switch assembly.
7	White	23-66-2736	-----	Component of the switch assembly.
8	Red	23-66-2736	-----	Component of the switch assembly.
9	Red	23-66-2736	-----	Component of the switch assembly.
10	Yellow	23-66-2736	-----	Component of the switch assembly.
11	Blue	23-66-2736	-----	Component of the switch assembly.
12	Black	23-66-2736	-----	Component of the switch assembly.
13	Sleeve	23-66-2736	-----	Component of the switch assembly / fuel gauge LED.