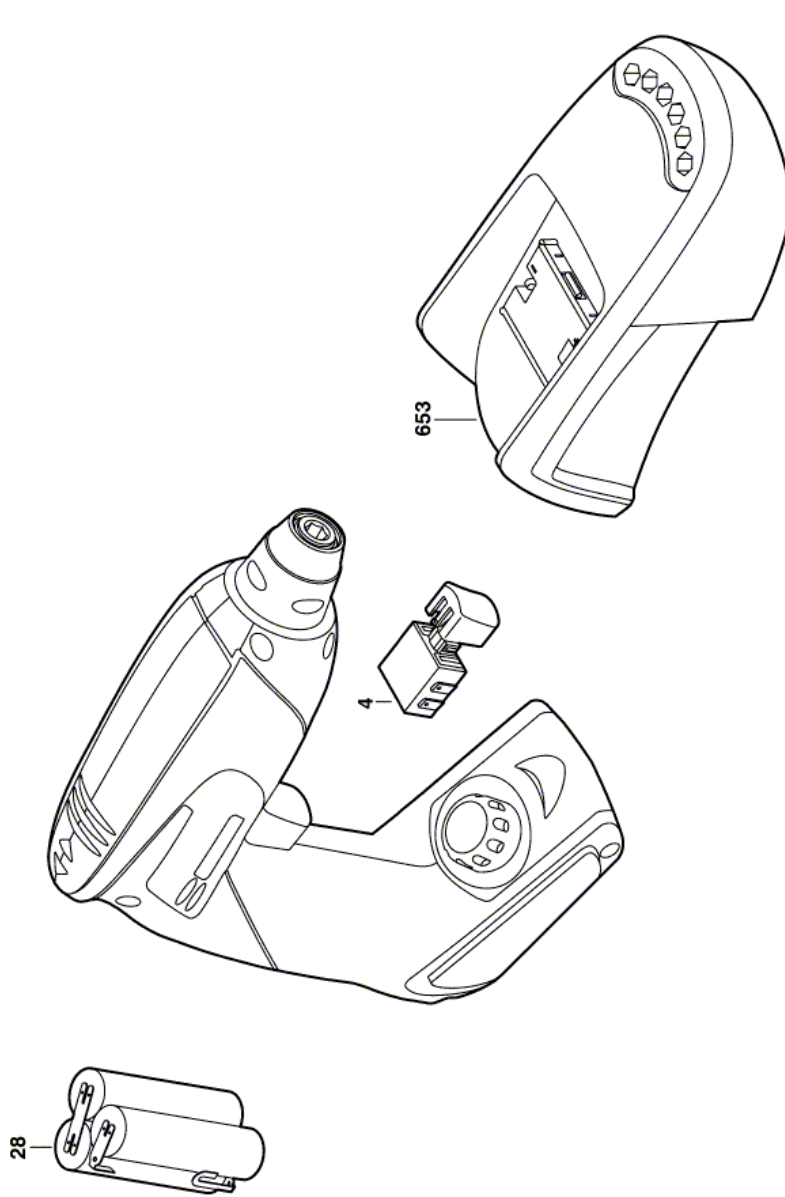


04.08.2015 |

Cordless Drill - F 012 241 000 - 2410

| Item | Part Number | Description | Illustration | Price | Quantity | Price Group |
|------|---------------|--------------------------------------|--------------|-------|----------|-------------|
| 4 | 1 619 X01 499 | Mains switch | | 1 | -,- | 1 - |
| 28 | 2 609 199 077 | Accumulator Battery 10,8V, 1,0Ah, Li | | 1 | -,- | 1 38 |
| 653 | 2 607 225 301 | Charger USA 120V | | 1 | -,- | 1 - |

Illustration - Type E



F 012 410 000
Stand }
Issue } 06-12-20
Fig./Abb. 1

Änderungen vorbehalten
Modifications reserved
Modificaciones reservadas
Salvo modificaciones

Information subject to change without further notice.