



SERVICE PARTS LIST

BULLETIN NO.
55-06-2490

SPECIFY CATALOG NO. AND SERIAL NO. WHEN ORDERING PARTS		REVISED BULLETIN	DATE
Cordless M12™ 3/8" Driver-Drill			May 2017
CATALOG NO.	2407-059	WIRING INSTRUCTION	
STARTING SERIAL NO.	F54A	SEE REVERSE SIDE	

EXAMPLE:
Component Parts (Small #)
Are Included When Ordering
The Assembly (Large #).

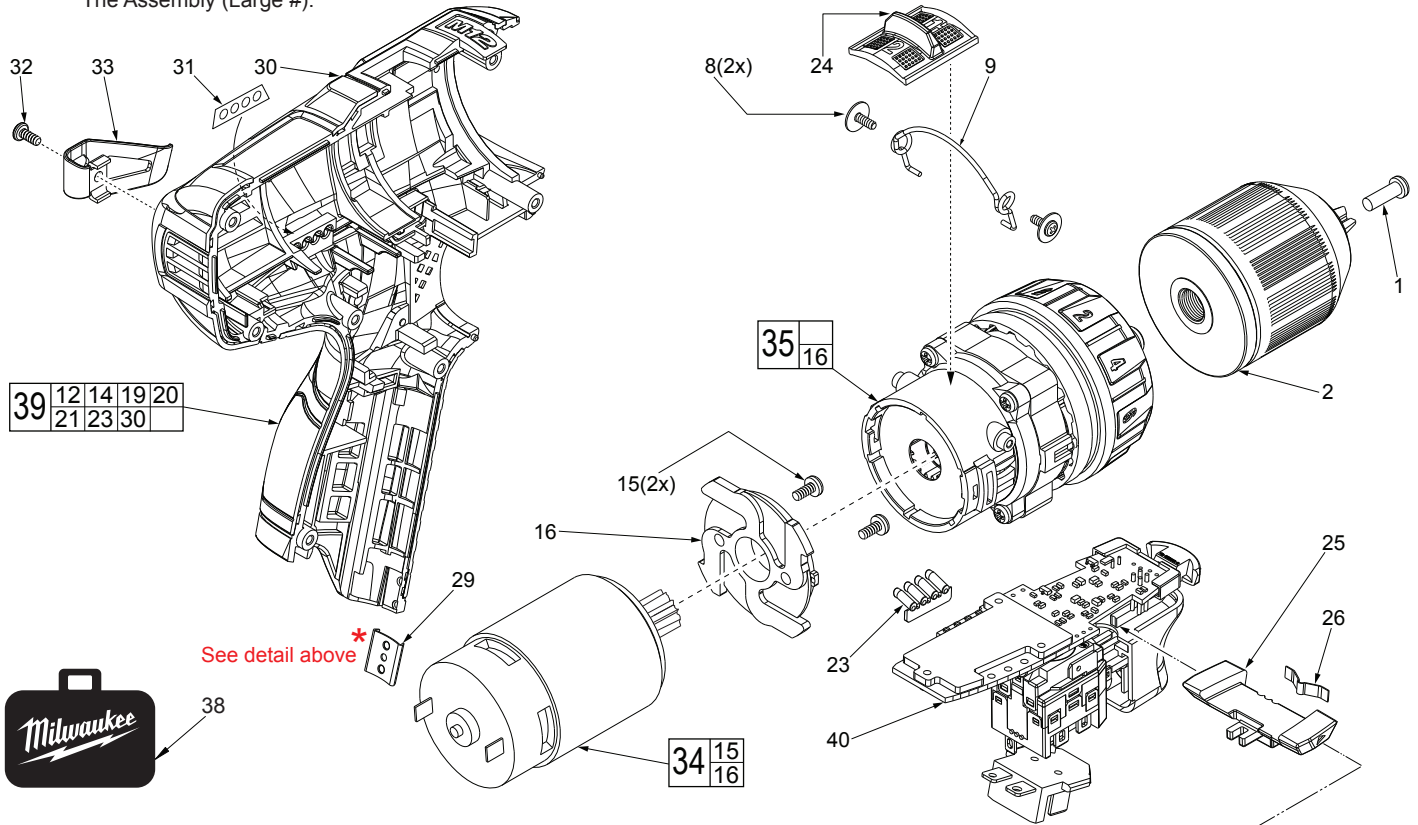
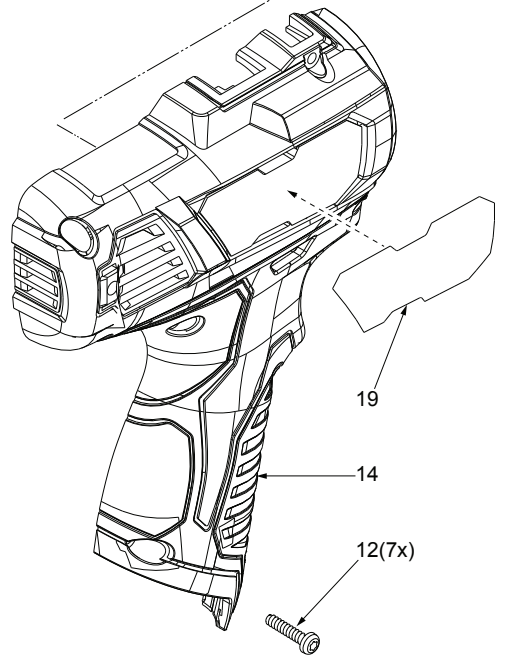
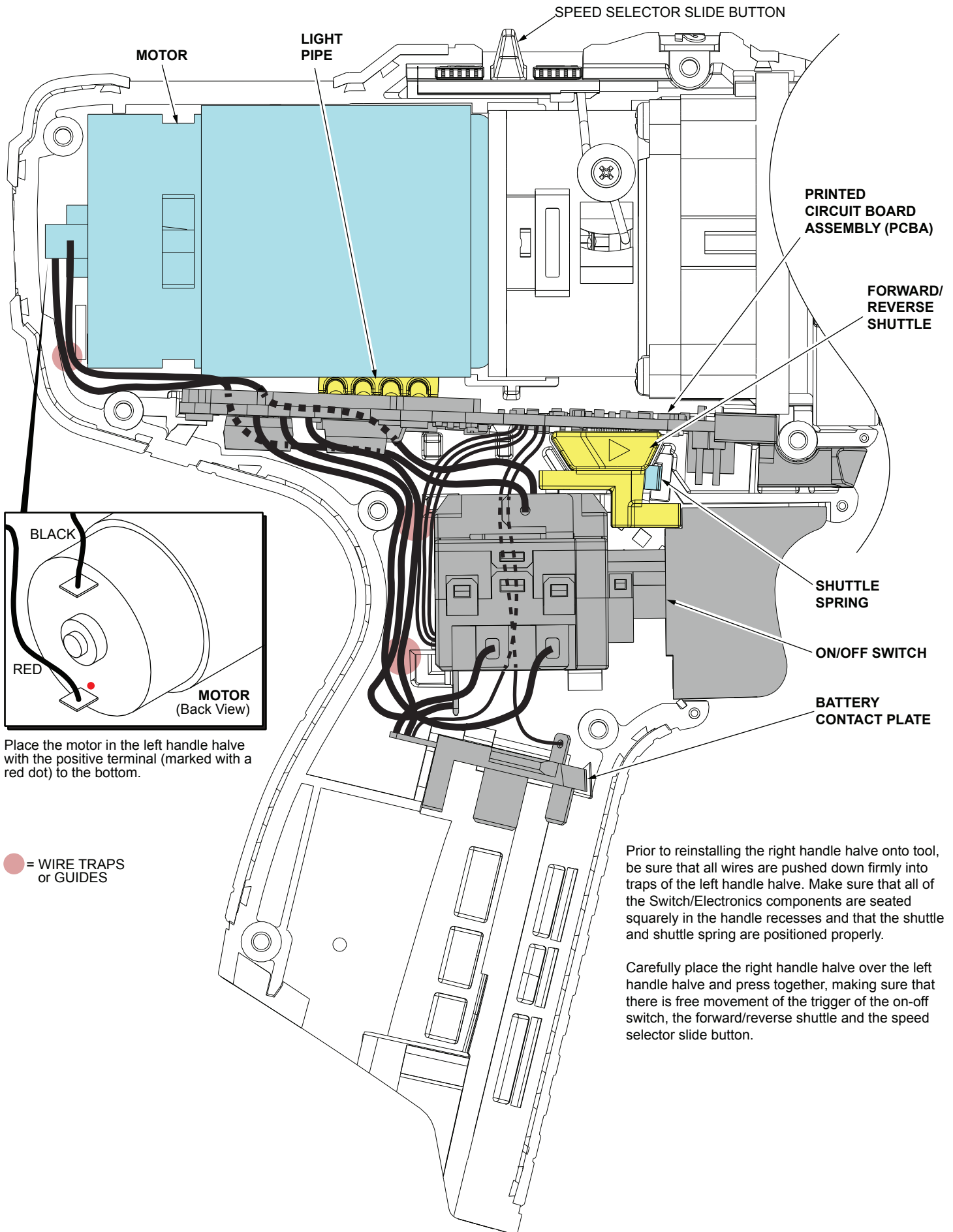


FIG.	PART NO.	DESCRIPTION OF PART	NO. REQ.
1	05-88-1680	M5 x 0.8 x 18.5mm LH Chuck Screw	(1)
2	42-66-0530	3/8" Keyless Chuck	(1)
8	05-81-0542	M2.3 x 4.5mm ST Screw	(2)
9	44-10-0710	Speed Selector Lever	(1)
12	06-82-1080	M3.0 x 14mm Pan Hd. T-10 ST Screw	(7)
14	-----	Housing Cover (Right Handle Halve)	(1)
15	-----	M3 x 6mm Screw	(2)
16	44-66-1585	Motor Mount Plate	(1)
19	-----	Service Nameplate	(1)
20	10-20-2810	Warning Label (Not Shown)	(1)
23	31-01-0003	Light Pipe	(1)
24	45-24-0325	Speed Selector Slide Button	(1)
25	42-42-0820	Forward/Reverse Shuttle	(1)
26	40-50-1135	Shuttle Spring Plate	(1)
29	42-70-0055	Housing Clip	(1)
30	-----	Housing Support (Left Handle Halve)	(1)
31	-----	Fuel Gauge Label	(1)
32	05-88-1010	M2.5 x 6mm Pan Hd. Phillips Screw	(1)
33	42-70-0580	Belt Clip	(1)
34	14-50-2430	Service Motor Assembly with Pinion	(1)
35	14-29-0825	Service Gearcase Assembly	(1)
38	42-55-2105	Carrying Case	(1)
39	14-38-0250	Service Housing Set	(1)
40	23-66-1795	Service Switch/Electronics Assembly	(1)

FIG. NOTES:
16,34,35 Service replacement gearcase assembly (35) comes with a motor mount plate (16) that must be removed and discarded when servicing. A motor mount plate already exists on the motor assembly (34).



AS AN AID TO REASSEMBLY, TAKE NOTICE OF WIRE ROUTING AND POSITION IN WIRE GUIDES AND TRAPS WHILE DISMANTLING TOOL



Place the motor in the left handle halve with the positive terminal (marked with a red dot) to the bottom.

● = WIRE TRAPS or GUIDES

Prior to reinstalling the right handle halve onto tool, be sure that all wires are pushed down firmly into traps of the left handle halve. Make sure that all of the Switch/Electronics components are seated squarely in the handle recesses and that the shuttle and shuttle spring are positioned properly.

Carefully place the right handle halve over the left handle halve and press together, making sure that there is free movement of the trigger of the on-off switch, the forward/reverse shuttle and the speed selector slide button.