



# SERVICE PARTS LIST

BULLETIN NO.  
54-12-0275

SPECIFY CATALOG NO. AND SERIAL NO. WHEN ORDERING PARTS		REVISED BULLETIN	DATE
VARIABLE SPEED SUPER HOLE-SHOOTER			July '97
CATALOG NO. 2405-20	SERIAL NUMBER 933A	WIRING INSTRUCTION 58-01-0685	

00 0

**EXAMPLE:**  
Component Parts (Small #)  
Are Included When Ordering  
The Assembly (Large #).

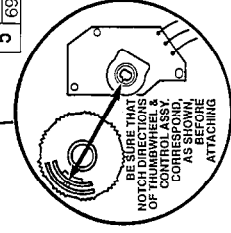
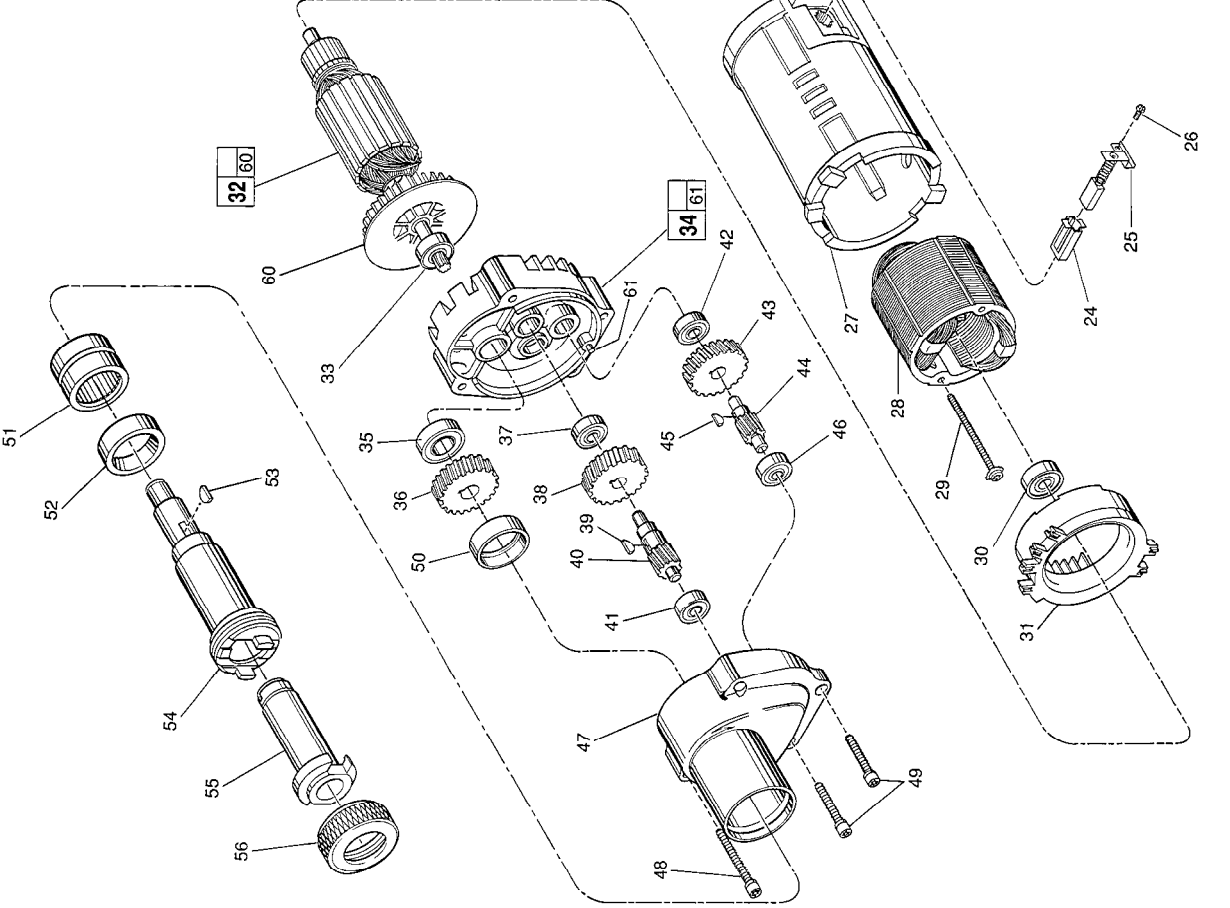
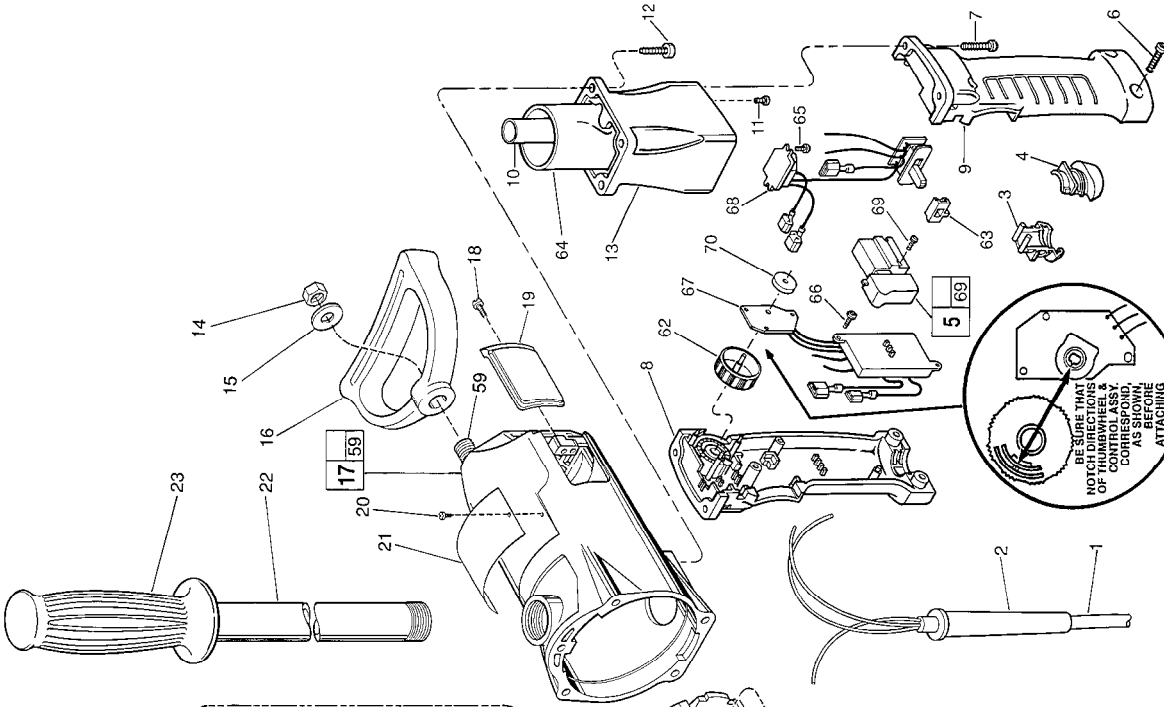
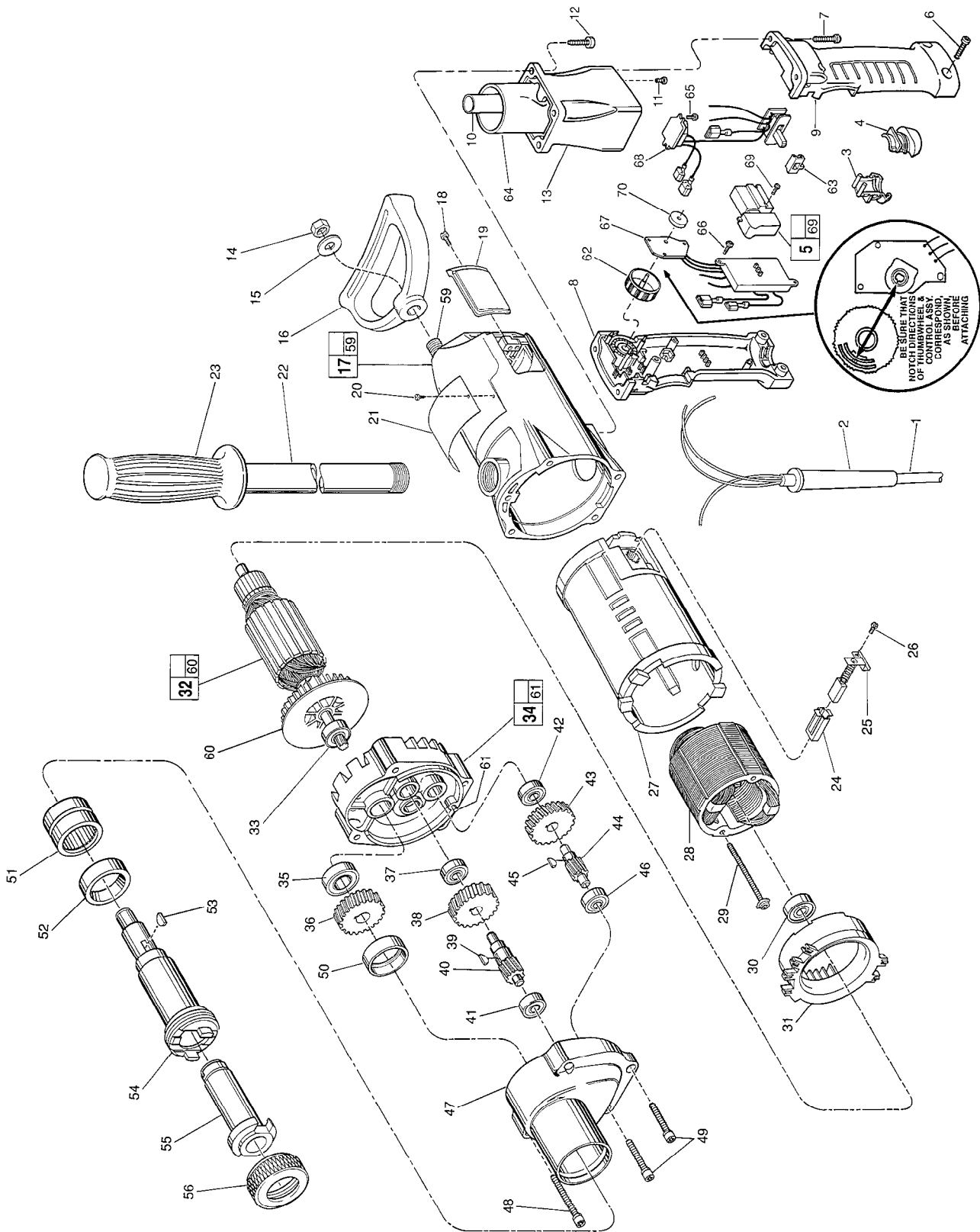
FIG.	PART NO.	DESCRIPTION OF PART	NO. REQ.	FIG.	PART NO.	DESCRIPTION OF PART	NO. REQ.
1	22-64-0175	Cord Set	(1)	39	06-42-2000	Woodruff Key	(1)
2	44-76-0210	Cord Protector	(1)	40	36-66-0571	Intermediate Pinion Shaft	(1)
3	31-17-0260	Lower Cord Clamp	(1)	41	02-04-1210	Ball Bearing	(1)
4	31-17-0265	Upper Cord Clamp	(1)	42	02-04-0910	Ball Bearing	(1)
5	23-66-0115	Switch	(1)	43	32-42-1201	Intermediate Gear	(1)
6	06-82-7284	8-16 x 3/4" Slotted Plastite T-20 Screw	(3)	44	36-66-0551	Intermediate Pinion Shaft	(1)
7	06-82-5382	1/4-20 x 3/4" Pan Hd. Taptite T-27 Screw	(4)	45	06-42-1200	Woodruff Key	(1)
8	31-44-1500	Right Handle Half	(1)	46	02-04-0910	Ball Bearing	(1)
9	31-44-1505	Left Handle Half	(1)	47	28-14-1940	Gear Case	(1)
10	23-48-7220	Insulating Sleeve	(1)	48	06-82-8550	1/4-20 x 3-1/8" Fil. Taptite T-30 Sems	(2)
11	06-95-5200	8-32 x 5/16" Slotted Hex Hd. Screw	(1)	49	06-82-8396	1/4-20 x 2-1/4" Fil. Taptite T-30 Sems	(2)
12	06-95-5645	1/4-20 x 3/4" Pan Hd. Taptite Screw	(4)	50	42-24-0070	Thrust Bearing	(1)
13	25-86-1615	Handle Spacer	(1)	51	02-50-9976	Needle Bearing	(1)
14	06-55-2850	1/2-13 Hex Nut	(1)	52	45-06-0380	Oil Seal	(1)
15	45-88-5253	Thrust Washer	(1)	53	06-42-2400	Woodruff Key	(1)
16	31-44-1450	Spade Handle	(1)	54	38-50-5460	Spindle	(1)
17	28-50-6365	Motor Housing	(1)	55	45-34-0110	No. 3 Taper Socket	(1)
18	06-82-5316	8-32 x 1/2" Sit. Pan Hd. Taptite T-20 Screw	(2)	56	42-52-0050	Taper Socket Cap	(1)
19	22-32-0350	Brush Cover	(2)	59	06-14-0010	1/2 x 13 x 1-3/8" Hex Hd. Bolt	(1)
20	06-72-1720	Nameplate Rivet	(2)	60	22-84-0790	Fan	(1)
21	12-15-7510	Service Nameplate	(1)	61	06-65-1155	Pin	(1)
22	43-62-0121	Pipe Handle	(1)	62	45-94-0380	Thumbwheel	(1)
23	43-62-0246	Handle Grip	(1)	63	43-72-0220	Interlock	(1)
24	22-20-0680	Brush Tube	(2)	64	23-48-7215	Insulation Sleeve	(1)
25	22-18-0701	Carbon Brush Assembly	(2)	65	06-82-5266	4-40 x 1/4" Pan Hd. Taptite T-10	(2)
26	06-82-8835	8-32 x 5/16" Pan Hd. T-20 Sems	(2)	66	06-82-7240	6-19 x 1/2" Pan Hd. Plastite T-15	(1)
27	23-16-1420	Insulated Housing	(1)	67	14-20-3075	Control Assembly	(1)
28	18-70-0315	120 V. Field	(1)	68	14-20-3080	Triac/Reversing Assembly	(1)
29	06-82-9072	10-24 x 2-1/8" Pan Hd. T-25 Sems	(2)	69	05-81-0125	M3 x 5 Switch Screw	(1)
30	02-04-1041	Ball Bearing	(1)	70	45-88-8710	Foam Washer	(1)
31	42-14-0291	Baffle	(1)		10-98-0590	Warning Label	(1)
32	16-70-0360	120 V. Armature	(1)				
33	02-04-1229	Ball Bearing	(1)				
34	14-13-0230	Diaphragm Assembly	(1)				
35	02-04-1710	Ball Bearing	(1)				
36	32-75-1261	Spindle Gear	(1)				
37	02-04-1022	Ball Bearing	(1)				
38	32-44-1101	Intermediate Gear	(1)				

**FIG. LUBRICATION**

47 7-3/4 Oz. "J" Grease, No .49-08-0800.

**FIG. NOTES**

12 Tighten one screw until lockwasher is touching handle



32 60

34 61

17 59

5 69