

Cordless Screwdriver - F 012 236 500 - 2365

www.powertools-aftersaleservice.com



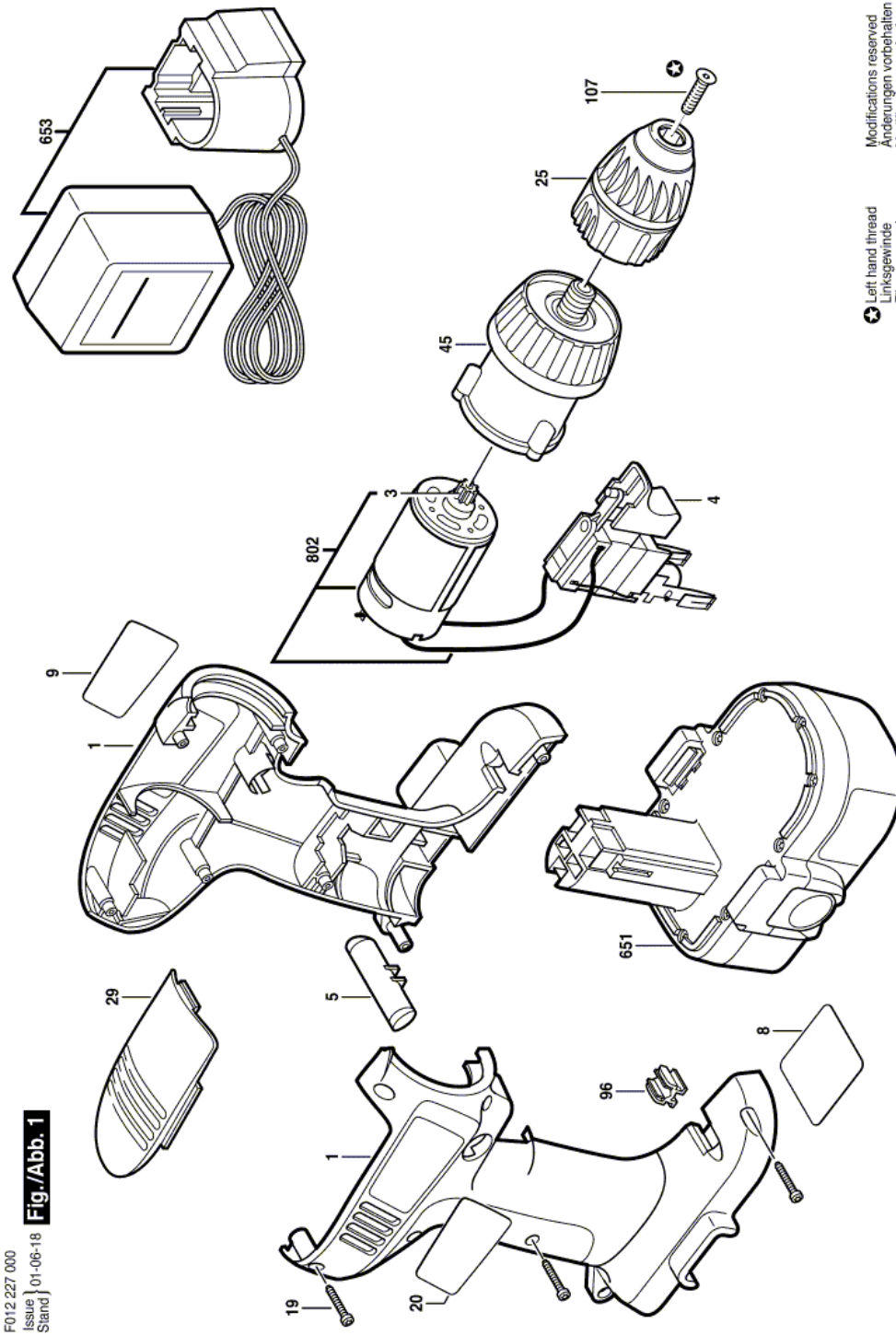
BOSCH

Item	Part Number	Description	Illustration	Price	Quantity	Price Group
1	2 610 997 741	Housing Section	1	-,-	1	-
3	2 610 967 133	Pinion	1	-,-	1	11
4	2 607 200 429	On-Off Switch	1	-,-	1	31
5	2 610 997 745	Reverse-Transfer Lever	1	-,-	1	-
8	2 610 908 169	Nameplate	1	-,-	1	-
9	2 610 908 174	Reference Plate	1	-,-	1	-
19	2 610 909 719	Screw BLACK	1	-,-	7	11
20	2 610 908 173	Warning Plate	1	-,-	1	-
25	2 610 995 899	Chuck 3/8"	1	-,-	1	-
29	2 610 997 746	Housing Cover	1	-,-	1	-
45	2 610 913 459	Gear Box	1	-,-	1	-
96	2 610 911 815	Bit holder	1	-,-	1	-
107	2 609 110 721	Countersunk-Head Screw M5x20	1	-,-	1	11
651	2 610 908 161	Battery Set 9,6V	1	-,-	1	-
653	2 607 225 367	Fast Charger USA 120/9,6V-18V, 3h	1	-,-	1	31
802	2 610 998 224	Motor 12V	1	-,-	1	-

Product information Cordless Screwdriver - F 012 236 500 - 2365

Product No	F 012 236 500
Description	183.490; Cordless Screwdriver
DIN-Text	
ID_Text_Ext	0
Trading_Description	2365
Voltage_1	9,6 V
ID_Country_Product	USA

Illustration - Type E



F012 227 000
Issue 01-06-18
Stand **Fig./Abb. 1**

Modifications reserved
Änderungen vorbehalten
Modifications réservées
Salvo modificaciones

Left hand thread
Linksgewinde
Filetage gauche
Rosca Izquierda

Information subject to change without further notice.