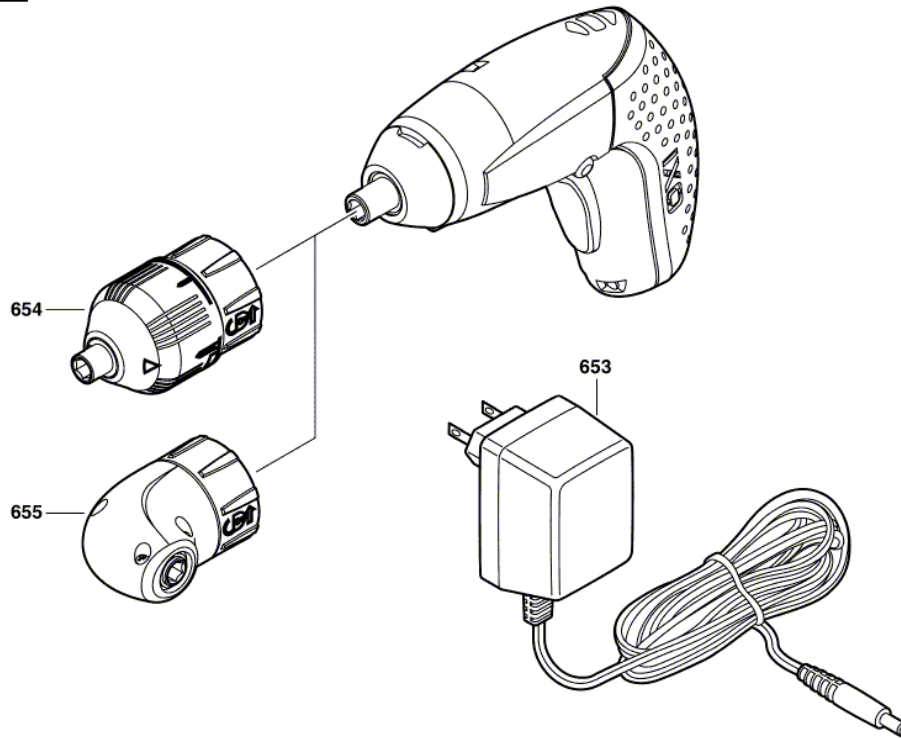


F 012 234 602

Stand } 08-10-14 **Abb./Fig. 1**  
Issue }



Änderungen vorbehalten  
Modifications reserved  
Modifications reserves  
Salvo modificaciones

Pos.	Part Number	Description	Pos.	Part Number	Description
653	2 607 225 503				
654	2 609 002 363	Attachment			
655	2 609 002 364	Combi Angle Drive			