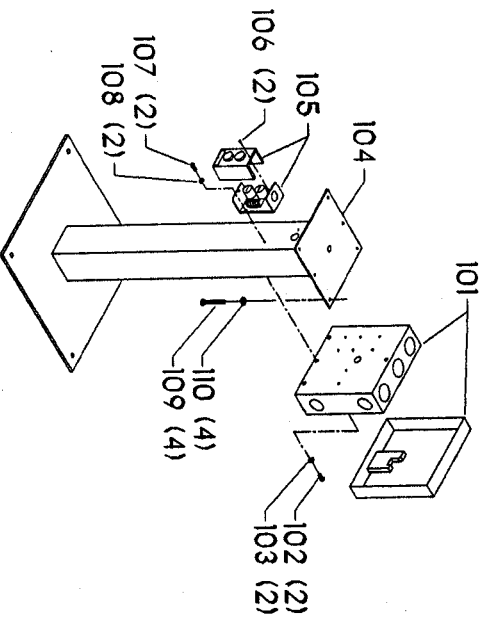
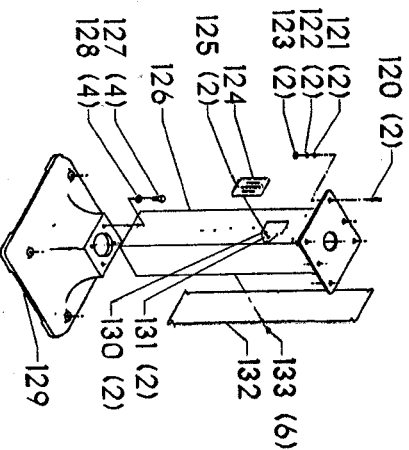




**SERVICE NOTE:**  
 B - Part Number 1349797 (STARTER ASSY) does not include an overload relay. If an overload relay is needed, then order Part Number 1349790 (OVERLOAD RELAY)



23-919 PEDESTAL  
 CURRENT MODELS ONLY



23-805 PEDESTAL  
 EARLY MODELS ONLY

## Parts List for 23-910 Type 1

Item Number	Part Number	Description	Qty Required
1	000000-00	No Longer Available	2
2	901010600612S	CAP SCREW	8
3	412100795002	HEX NUT L H	1
4	412101035001	OUTSIDE FLANGE	2
5	000000-00	No Longer Available	2
6	901010600626S	CAP SCREW	6
7	412100895001	TOOL REST L H	1
8	000000-00	No Longer Available	4
9	904010101607	STEEL WASHER	4
10	412100145001	TOOL REST ARM	2
11	901010600614	CAP SCREW	2
12	412100545001	GUARD L H	1
13	902040101402	WING NUT	2
14	904030201667	WASHER	2
15	000000-00	No Longer Available	2
16	412100365001	SPARK BREAKER	2
17	904010101607	STEEL WASHER	2
18	000000-00	No Longer Available	2
19	000000-00	No Longer Available	4
20	000000-00	No Longer Available	2
21	000000-00	No Longer Available	1
22	412100895002	TOOL REST R H	1
23	902011001027	HEX NUT	1
25	902011201216	HEX NUT	4
26	000000-00	No Longer Available	2
27	000000-00	No Longer Available	2
28	920040107266	BEARING	2

## Parts List for 23-910 Type 1

Item Number	Part Number	Description	Qty Required
29	000000-00	No Longer Available	1
30	000000-00	No Longer Available	1
31	901061317359	SELF TAP SCREW	2
32	000000-00	No Longer Available	1
32	000000-00	No Longer Available	1
33	000000-00	No Longer Available	1
34	000000-00	No Longer Available	1
34	000000-00	No Longer Available	1
35	412081125001	TIE BOLT	4
36	961010107460	BUTTON	1
37	000000-00	No Longer Available	1
38	438010170144	SWITCH	1
39	000000-00	No Longer Available	1
40	901030300761	SCREW	1
41	000000-00	No Longer Available	1
42	000000-00	No Longer Available	1
43	491956-00	WASHER	3
44	901010600607S	SCREW	3
45	000000-00	No Longer Available	1
46	901010600605	CAP SCREW	2
47	000000-00	No Longer Available	1
48	438010040007S	CLAMP	1
49	000000-00	No Longer Available	1
50	5140069-51	SCREW	1
55	000000-00	No Longer Available	2
56	412080535001	PLEXIGLASS LENS	2
65	000000-00	No Longer Available	1

## Parts List for 23-910 Type 1

Item Number	Part Number	Description	Qty Required
66	904010312925	SPEC WASHER	1
67	000000-00	No Longer Available	1
68	5140069-51	SCREW	2
69	000000-00	No Longer Available	1
70	412010535001	SAFETY GLASS	1
71	412010795001	BOW SPRING	2
72	438010070013	WIRE CONNECTOR	1
73	438010040007S	CLAMP	1
74	000000-00	No Longer Available	1
75	438010070009	WIRE NUT	2
76	000000-00	No Longer Available	1
77	000000-00	No Longer Available	2
78	000000-00	No Longer Available	2
101	000000-00	No Longer Available	1
101	000000-00	No Longer Available	1
102	901061103036	SELF-TAP SCREW	2
103	904030301757S	LOCK WASHER	2
104	000000-00	No Longer Available	1
104	000000-00	No Longer Available	1
105	000000-00	No Longer Available	1
106	901020512860	SCREW	2
107	901061103036	SELF-TAP SCREW	2
108	904030301757S	LOCK WASHER	2
109	901010600602	CAP SCREW	4
110	904100313810	STEEL WASHER	4
120	901010600649S	CAP SCREW	2
121	904010101620S	WASHER	2

## Parts List for 23-910 Type 1

Item Number	Part Number	Description	Qty Required
122	904020101703S	LOCK WASHER	2
123	902010101300S	HEX NUT	2
124	402040310001S	SWITCH OPENING COVER	1
125	901020505634	FILL HD SCREW	2
126	000000-00	No Longer Available	1
126	000000-00	No Longer Available	1
127	901010600628	CAP SCREW	4
128	904020201705	LOCK WASHER	4
129	000000-00	No Longer Available	1
130	492056-00	WASHER	2
131	902011209232	HEX NUT	2
132	000000-00	No Longer Available	1
133	901030408015S	CAP SCREW	6
856	000000-00	No Longer Available	1