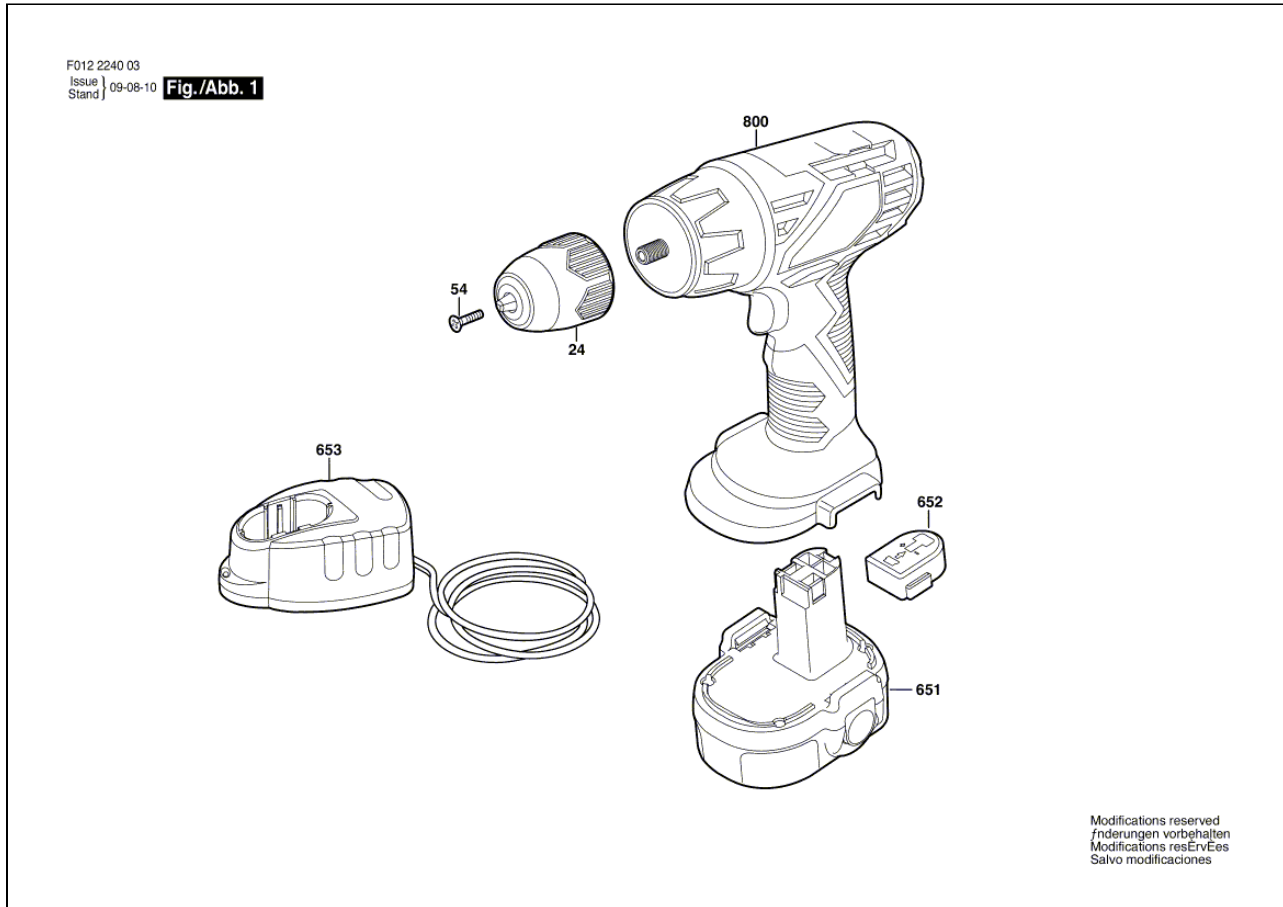


Cordless Drill Driver

F 012 225 003 2250

25.03.2011 17:02:25



Item	Quantity	Order No.	Designation	Price group	Page
24	1	1 619 X04 096	Keyless Chuck	20	1
54	1	1 619 X02 515	Countersunk-Head Screw	10	1
651	1	2 607 335 512	Battery Pack / 14,4V,1,2Ah,NiCd	38	1
652	1	2 609 100 101	Protective Cap	10	1
653	1	2 607 225 367	Fast Charger / USA 120/9,6V-18V, 3h	27	1
800	1	1 619 X04 209	Spare Part / 14,4V	37	1