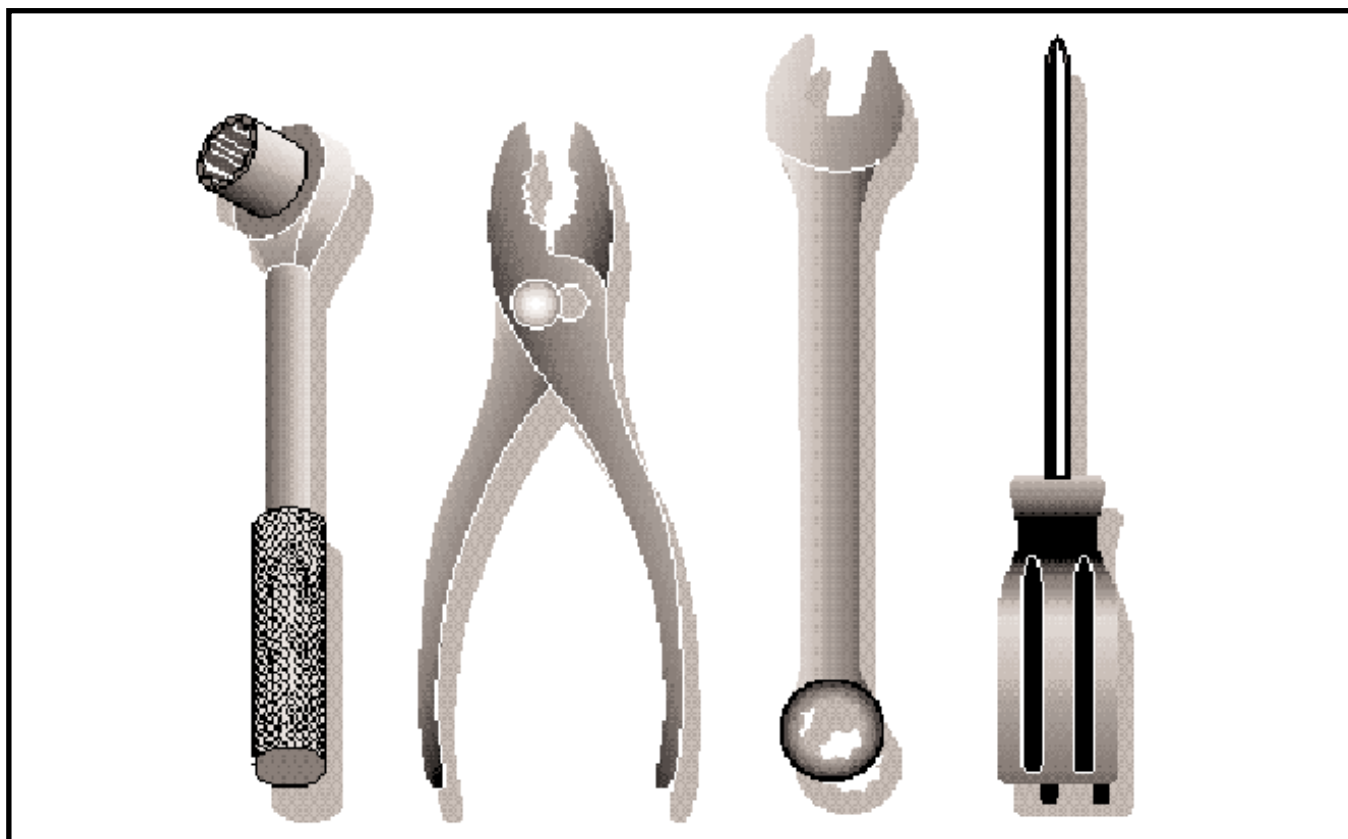


Ride Mower

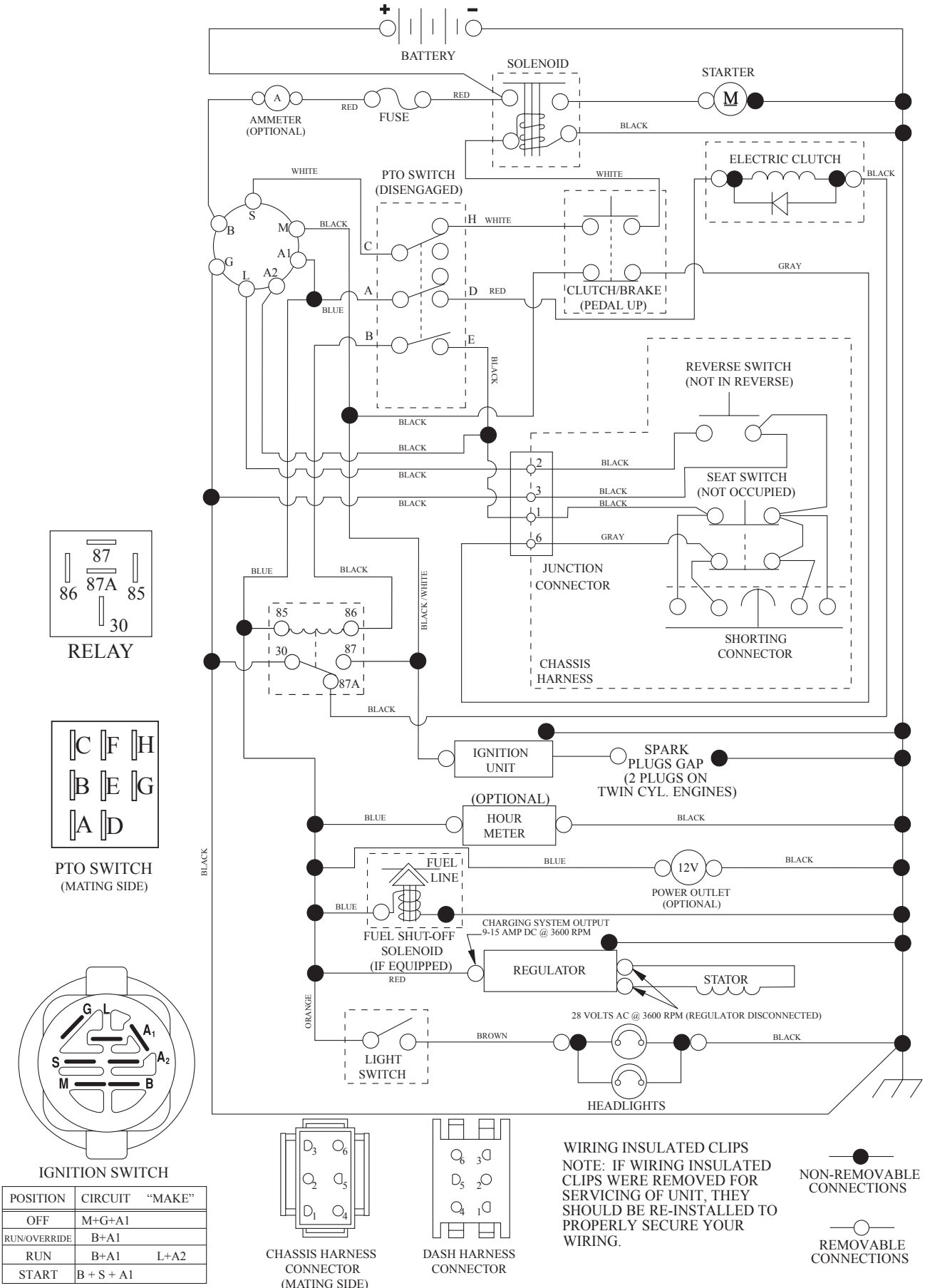
## 2246 LS

96043004300



# TRACTOR - - MODEL NUMBER 2246LS (96043004300), PRODUCT NO. 960 43 00-43 SCHEMATIC

SCH13



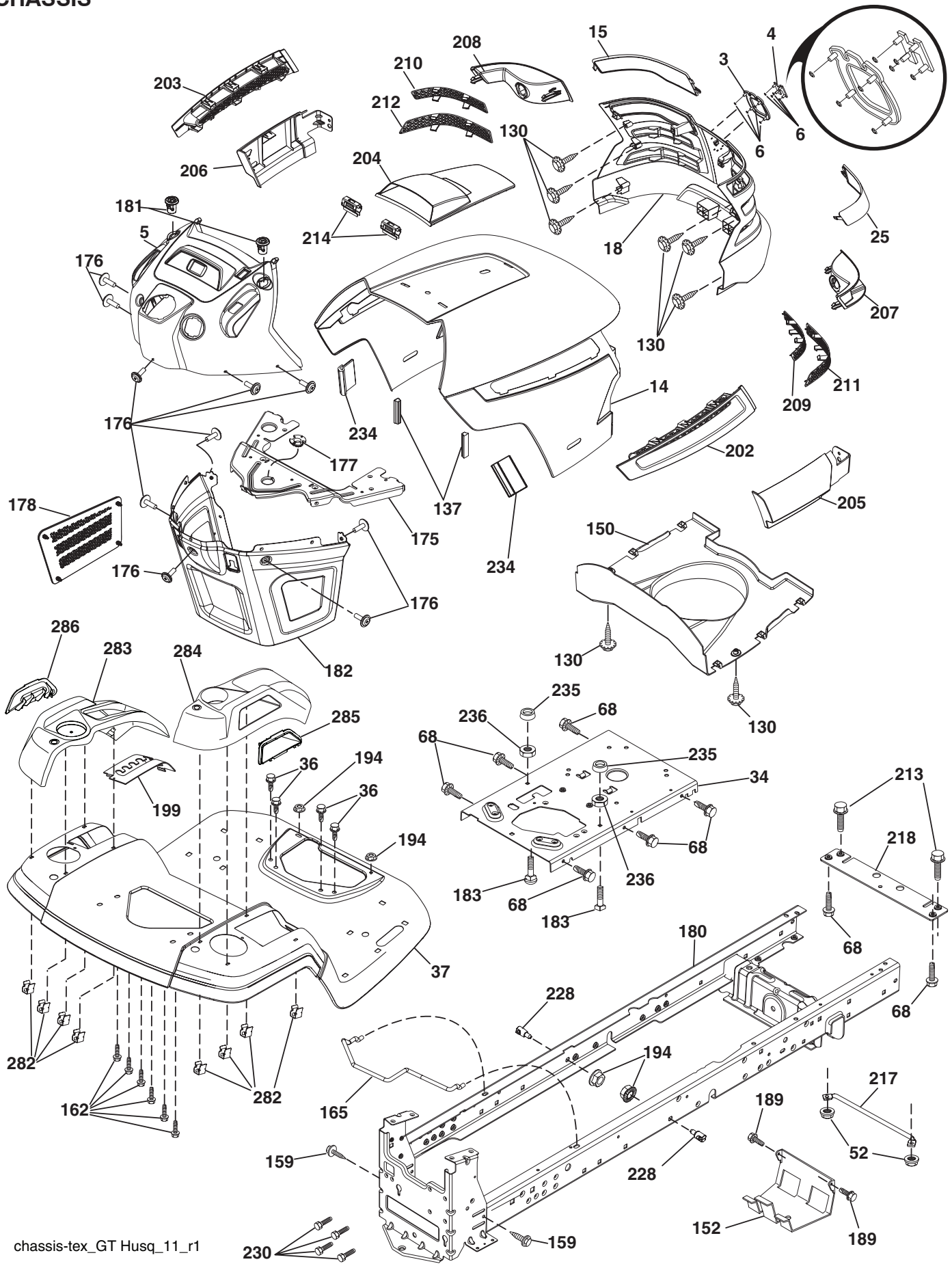


**TRACTOR - - MODEL NUMBER 2246LS (96043004300), PRODUCT NO. 960 43 00-43  
ELECTRICAL**

<b>KEY NO.</b>	<b>PART NO.</b>	<b>DESCRIPTION</b>
1	532 16 34-65	Battery
2	874 76 04-12	Bolt Hex Head 1/4-20 x 3/4
8	532 19 32-28	Box Battery
16	532 17 61-38	Switch Interlock Push-In
21	532 18 37-59	Harness Socket Light W/4152J
22	532 00 41-52	Bulb Light
25	532 41 28-95	Cable Starter
26	532 17 51-58	Fuse
27	873 51 04-00	Nut Keps Hex 1/4-20 unc
28	532 19 88-85	Cable, Ground
29	532 40 15-45	Switch, Seat
30	532 19 33-50	Switch, Ign
33	532 41 19-35	Key\Chain
34	532 11 07-12	Switch Light / Reset
40	532 40 96-14	Harness Ign. Dash
41	817 72 04-08	Screw Thd Cut 1/4-20 x 1/2
42	532 13 15-63	Cover, Terminal
43	532 19 25-07	Solenoid
46	532 40 17-63	Gauge Servicere minder Hrmtr
50	532 17 46-51	Switch PTO
55	817 06 05-12	Screw Thdrol 5/16-18 x 3/4 TYTT
59	532 40 03-03	Outlet 12-Volt
71	532 40 04-49	Harness Ign.
79	532 17 52-42	Socket Asm Bulb Twistlock
81	532 40 96-15	Relay Harness Sealed
90	532 40 07-24	Cover Terminal
101	532 19 83-17	Harness Pigtail
102	532 40 44-54	Harness Pigtail
103	532 40 79-62	Harness 12-Volt Pigtail
105	532 40 75-68	Switch Reverse TT Pedal Control

**NOTE:** All component dimensions given in U.S. inches  
1 inch = 25.4 mm

**TRACTOR - - MODEL NUMBER 2246LS (96043004300), PRODUCT NO. 960 43 00-43  
CHASSIS**



chassis-tex\_GT Husq\_11\_r1

**TRACTOR - - MODEL NUMBER 2246LS (96043004300), PRODUCT NO. 960 43 00-43  
CHASSIS**

<b>KEY NO.</b>	<b>PART NO.</b>	<b>DESCRIPTION</b>	<b>KEY NO.</b>	<b>PART NO.</b>	<b>DESCRIPTION</b>
3	532 40 86-06	Trim, Husq.	203	532 40 30-76	Vent Side Hood LH
4	532 40 50-12	Logo	204	532 41 66-13	Vent Top Hood
5	532 40 87-01	Dash	205	532 40 17-09	Skirt Hood Side RH
6	532 11 04-52	Nut, Push	206	532 40 17-11	Skirt Hood Side LH
14	532 41 10-46	Hood	207	532 19 71-98	Bezel RH
15	532 19 89-07	Lens LH	208	532 19 71-99	Bezel LH
18	532 40 86-07	Grille/Lens Asm.	209	532 19 91-30	Insert Hex Top RH
25	532 19 89-06	Lens RH	210	532 19 91-31	Insert Hex Top Lh
34	532 19 61-25	Plate Engine	211	532 19 91-32	Insert Hex Bottom RH
36	817 06 05-12	Screw 5/16-18 x 3/4	212	532 19 91-33	Insert Hex Bottom LH
37	532 41 63-07	Fender	213	874 76 05-12	Bolt 5/16-18 x 3/4
52	873 68 05-00	Nut Lock 5/16-18	214	532 19 91-45	Clip Retainer Tinner
68	817 49 05-08	Screw Thdrol 5/16-18 x 1/2	217	532 40 91-67	Rod Pivot
130	532 41 63-58	Screw 10 x .750 BOS Thread	218	532 19 63-95	X-Piece Hood Stop
137	532 40 75-90	Bumper Dash	228	532 19 51-61	Stud Fastner
150	532 19 85-12	Air Duct	230	532 17 01-65	Bolt Shoulder 5/16-18
152	532 19 95-35	Shield Browning	234	532 40 47-42	Bumper Hood
157	817 00 06-12	Screw 3/8-16 x 3/4	235	532 40 61-29	Spacer Fender
175	532 19 63-04	Crossmember	236	873 93 05-00	Nut Lock 5/16-18 UNC
176	532 40 07-76	Screw 10-24 x 5/8	282	532 41 41-10	Clip Retainer Console
177	532 19 52-27	Bushing Steering	283	532 41 63-16	Console Deck Lift
178	532 19 97-82	Cargo Net Asm.	284	532 41 78-77	Console Shift
180	532 19 54-57	Chassis	285	532 41 63-15	Console Insert RH
181	532 40 30-25	Bushing Mtg. Fender Crgo	286	532 41 63-17	Console Insert LH
182	532 40 68-59	Dash Lower	287	817 60 04-06	Screw 1/4-20 X 3/8
183	874 78 05-20	Bolt Fin Hex 5/16-18 unc x 1-1/4			
189	817 00 05-12	Screw 5/16-18 x 3/4			
194	873 90 05-00	Nut Lock Hex Flange 5/16-18			
199	532 41 34-85	Plate Deck Lift			
202	532 40 30-48	Vent Side Hood RH			

**NOTE:** All component dimensions given in U.S. inches  
1 inch = 25.4 mm

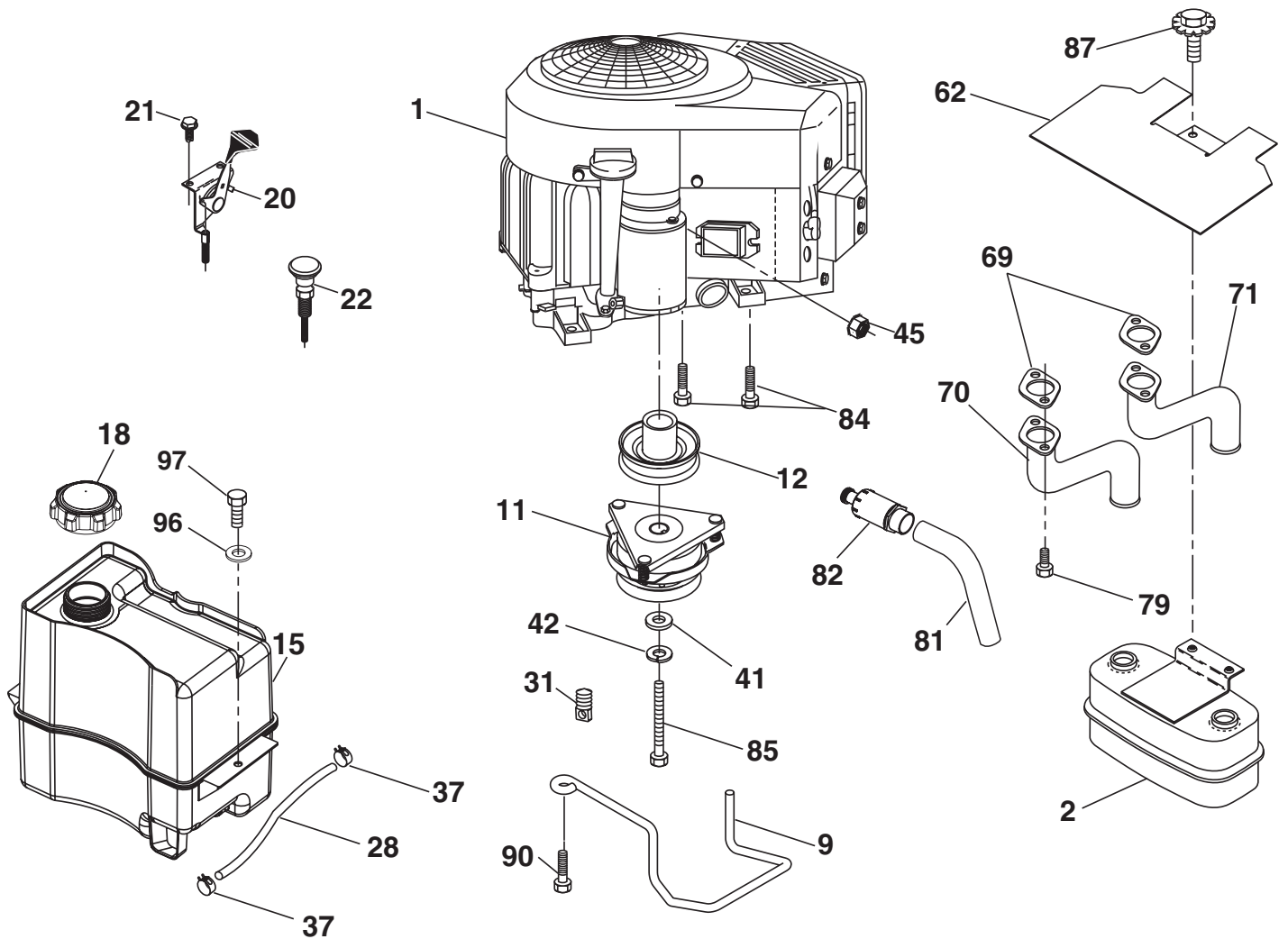


**TRACTOR - - MODEL NUMBER 2246LS (96043004300), PRODUCT NO. 960 43 00-43  
DRIVE**

<b>KEY NO.</b>	<b>PART NO.</b>	<b>DESCRIPTION</b>	<b>KEY NO.</b>	<b>PART NO.</b>	<b>DESCRIPTION</b>
1	5324053-84	Transaxle, TUFFTORQ K46 (Internal parts not available)	171	872 11 06-16	Bolt RDHD SQNK 3/8-16UNC x 2
2	532 12 35-83	Key	183	532 13 70-57	Spacer Split
15	819 13 13-16	Washer 13/32 x 13/16 x 16 Ga.	184	532 40 31-18	Handle Parking Brake
17	532 41 36-78	Spring, Brake	185	872 11 06-20	Bolt Rdhd Sqnk 3/8-16 x 2-1/2
26	532 19 96-79	Spring Return Cruise	186	532 19 43-21	Spacer Retainer
29	532 40 38-06	Rod, Brake	187	819 13 32-10	Washer
33	812 00 00-01	Ring E	188	532 19 43-23	Link Clutch Ground Drive
35	532 19 95-91	Rod, Brake, Park	189	532 19 43-17	Bellcrank Ground Drive
42	532 12 48-72	Cover, Foot Pedal	190	532 19 43-18	Keeper Bellcrank Ground Drive
49	872 11 06-14	Bolt	196	817 00 06-16	Screw 3/8-16 x 1
50	532 19 43-27	Pulley Idler Flat	197	532 19 58-04	Bracket Clutch Anti-Rotation
51	873 90 06-00	Lock Nut 3/8-16	205	532 12 17-48	Washer
52	532 19 43-26	Idler V-Groove 910" Offset	206	532 19 78-67	Bracket Mount Latch Cruise
56	532 13 09-69	V-Belt, Drive	207	532 19 78-68	Latch Control Cruise
64	532 19 78-65	Shaft Asm. Pedal Brake Control	208	532 19 78-69	Gear Sector Control Cruise
73	874 49 05-44	Bolt Hex Flghd 5/16-18 Gr. 5	209	532 19 95-92	Rod Control Cruise
80	532 41 00-24	Bracket Strap Torque	210	532 40 09-80	Rocker Asm. Pedal Control
92	874 76 05-20	Bolt Fin Hex 5/16-18 unc x 1.25	211	532 12 01-83	Bearing Nylon
99	532 41 57-42	Rod Spring Bypass	213	532 40 31-19	Knob Control Cruise
116	873 90 05-00	Nut Lock Hex Flange 5/16-18	214	532 41 68-63	Pedal Forward
125	817 00 05-12	Screw 5/16-18 x 3/4	215	532 40 17-23	Pedal Reverse
143	817 49 05-08	Screw 5/16-18 x 1/2	216	532 19 61-31	Bracket Pulley Idler
153	532 12 47-88	Retainer Spring	221	532 40 31-87	Retainer Spring Clip Handle
159	876 02 04-12	Pin Cotter 1/8 x 3/4	222	879 21 20-10	Washer 21/32 x 1-1/4 x 10 Ga.
160	532 16 94-84	Retainer Clip	225	532 40 33-19	Keeper Belt Trans.
161	532 10 75-09	Spring, Return, Clutch	226	532 40 15-64	Bracket Mount Touque
163	532 40 10-34	Rod Pedal Control	230	532 18 89-67	Washer Hardened
166	532 19 72-90	Nut Push			
167	532 40 52-57	Latch Brake Parking			
170	532 19 43-22	Keeper Belt Centerspan			

**NOTE:** All component dimensions given in U.S. inches  
1 inch = 25.4 mm





**SPARK ARRESTER KIT**

engine-tex\_bs-2cyl\_7

**TRACTOR - - MODEL NUMBER 2246LS (96043004300), PRODUCT NO. 960 43 00-43  
ENGINE**

<b>KEY NO.</b>	<b>PART NO.</b>	<b>DESCRIPTION</b>
1	-----	Engine Briggs & Stratton Model No. 40H777
2	532 14 97-23	Muffler
9	532 19 43-20	Keeper Belt Engine
11	532 40 00-08	Clutch
12	532 40 50-97	Pulley Engine
15	532 40 74-89	Tank Fuel
18	532 19 77-25	Cap Asm
20	532 17 83-85	Control Throttle
21	817 41 63-58	Screw #10 x .750 BOS Thread
22	532 18 95-91	Choke Control
28	532 40 11-37	Fuel Line
29	532 13 71-80	Spark Arrester Kit
31	532 14 50-06	Clip Push-in Hinged
37	532 12 34-87	Clamp Hose
41	532 12 61-97	Washer 1-1/2 OD x 15/32 ID x .250
42	810 04 07-00	Washer Lock 7/16
45	873 51 04-00	Nut Keps Hex 1/4-20 unc
62	532 14 66-29	Heat Shield
69	532 16 53-91	Gasket
70	532 15 99-55	Tube Exhaust LH
71	532 16 05-89	Exhaust Tube RH
79	532 18 39-06	Screw Socket HD 5/16-18 x 1
81	532 14 84-56	Tube Drain Oil Easy
82	532 18 16-54	Plug Drain Oil
84	817 06 06-20	Screw 3/8-16 x 1-1/4
85	532 17 39-37	Bolt Hex 7/16-20 x 4 x Gr. 5-1.5 Thr
86	532 18 43-62	Nut M8 - 1.25
87	537 17 18-77	Bolt 5/16-18 UNC x 3/4 w/Sems
90	817 00 06-16	Screw 3/8-16 x 1
96	819 09 14-16	Washer
97	817 67 04-12	Screw

**NOTE:** All component dimensions given in U.S. inches  
1 inch = 25.4 mm

For engine service and replacement parts, call the toll free number for your engine manufacturer listed below:

Briggs & Stratton            1-800-233-3723

**Engine Power Rating Information**

The gross power rating for individual gas engine models is labeled in accordance with SAE (Society of Automotive Engineers) code J11940 (Small Engine Power & Torque Rating Procedure), and rating performance has been obtained and corrected in accordance with SAE J1995 (Revision 2002-5). Actual gross engine power will be lower and is affected by, among other things, ambient operating conditions and engine-to-engine variability. Given both the wide array of products on which engines are placed and the variety of environmental issues applicable to operating the equipment, the gas engine will not develop the rated gross power when used in a given piece of power equipment (actual "on-site" or net horsepower). This difference is due to a variety of factors including, but not limited to, accessories (air cleaner, exhaust, charging, cooling, carburetor, fuel pump, etc.), application limitations, ambient operating conditions (temperature, humidity, altitude), and engine-to-engine variability. Due to manufacturing and capacity limitations, Briggs & Stratton may substitute an engine of higher rated power for this Series engine.

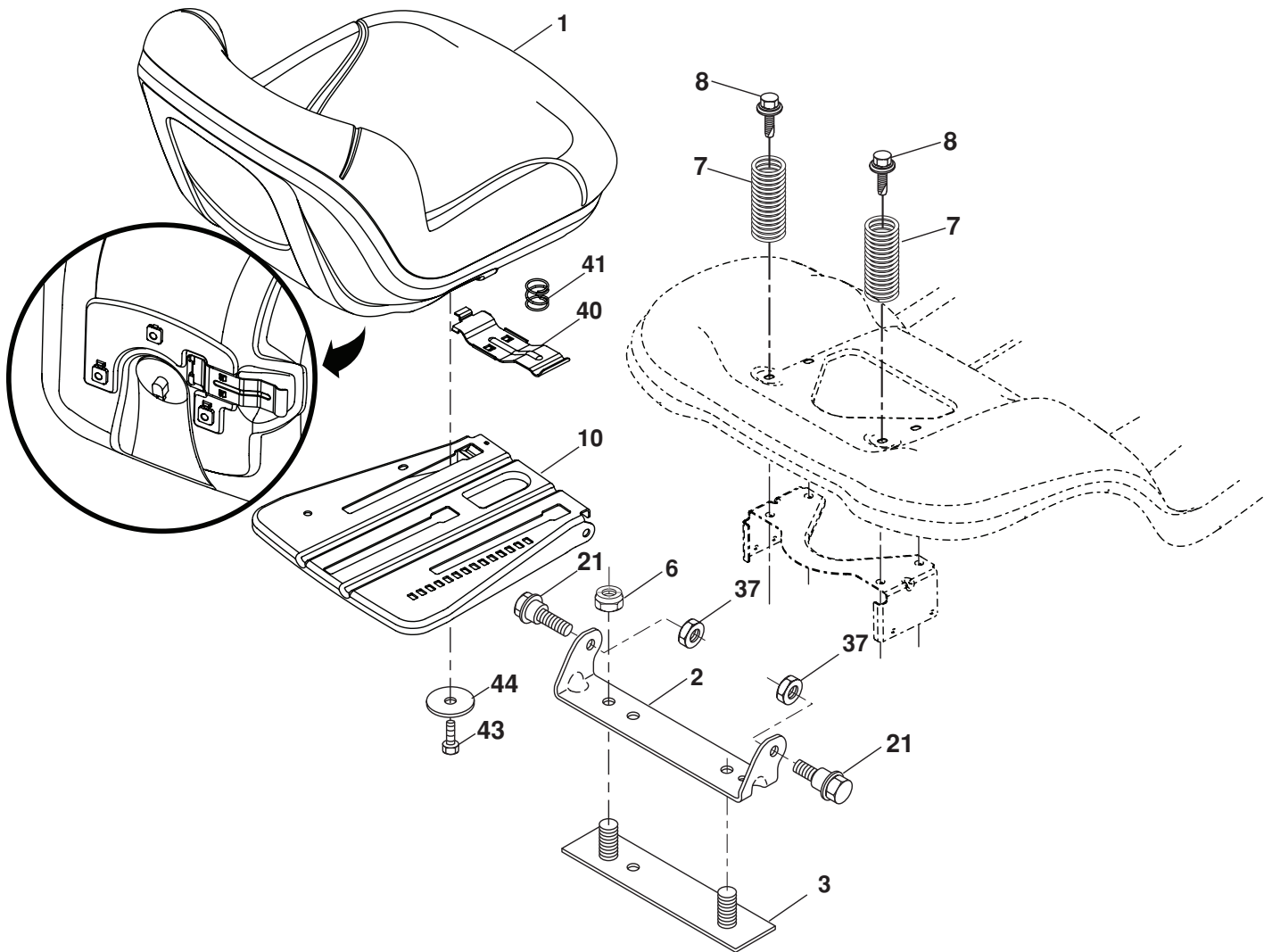


**TRACTOR - - MODEL NUMBER 2246LS (96043004300), PRODUCT NO. 960 43 00-43  
STEERING ASSEMBLY**

<b>KEY NO.</b>	<b>PART NO.</b>	<b>DESCRIPTION</b>
1	532 41 64-80	Wheel, Steering
2	532 18 47-06	Axle Asm., Front
4	532 40 30-87	Spindle Asm., LH
5	532 40 30-88	Spindle Asm., RH
6	532 12 49-31	Bearing, Race Thrust Harden
7	532 12 17-48	Washer 25/32 x 1-5/8 x 16 Ga.
8	812 00 00-29	Ring, Klip #T5304-75
9	532 12 12-32	Cap, Spindle
13	532 12 17-49	Washer 25/32 x 1-1/4 x 16 Ga.
14	810 04 06-00	Washer, Lock Hvy Hlcl Spr 3/8
15	873 54 06-00	Nut, Crown Lock 3/8-24 unf
16	532 40 82-19	Shaft Steering
19	532 19 47-29	Plate Steering
21	532 18 67-37	Adapter, Wheel Steering
22	532 19 48-45	Bushing, Strg. Blk
26	532 41 59-87	Insert, Wheel Steering
28	817 00 06-12	Screw 3/8-16 x 3/4
35	532 19 47-32	Gear, Sector Plate
45	819 18 38-12	Washer 9/16 ID x 2-3/8 OD 12 Ga.
51	873 94 08-00	Nut Hex Jam Toplock 1/2-20 unf
53	532 18 89-67	WasherHardened.793x1.637x.060
57	532 40 74-65	Bracket Upstop
58	532 19 47-47	Bolt Shoulder Sector Pivot CFM
59	532 19 47-48	Washer Thrust Sector Steering
60	873 97 10-00	Nut Flange Lock 5/8-11
61	532 19 47-40	Draglink LH
62	532 19 47-41	Draglink, RH
63	817 00 05-12	Screw 5/16-18 x 3/4
64	532 19 98-49	Retainer Clip Spring Steering
66	871 02 07-48	Bolt Hex Fghd 7/16-14 x 3 Serr
67	532 19 47-37	Bushing PM Front Axle
68	873 90 07-00	Nut Lock Flange 7/16-14 Gr. 5
69	532 19 91-62	Washer 1.5 x .505 x .118
70	532 19 61-97	Bracket Deck Susp. Front

**NOTE:** All component dimensions given in U.S. inches  
1 inch = 25.4 mm

**TRACTOR - - MODEL NUMBER 2246LS (96043004300), PRODUCT NO. 960 43 00-43  
SEAT ASSEMBLY**



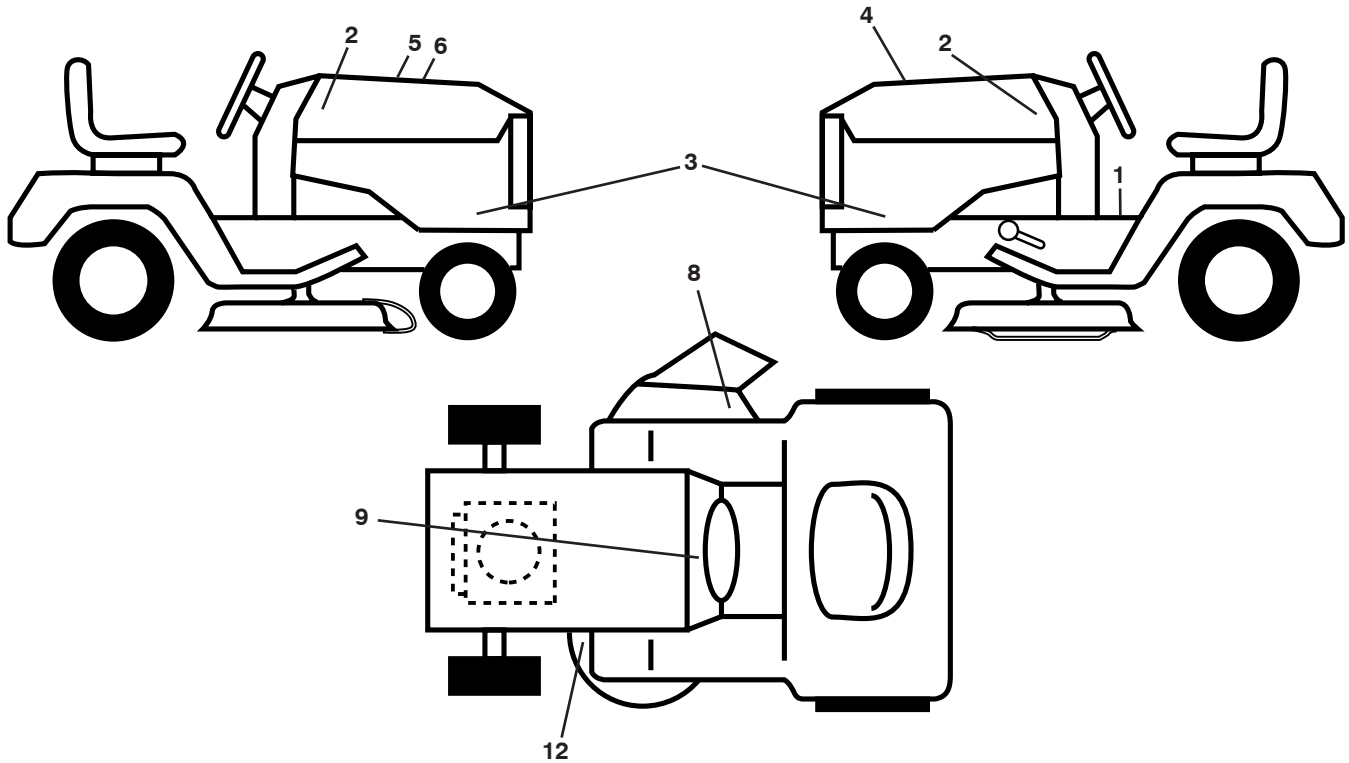
seat-tex\_7-vgt

KEY NO.	PART NO.	DESCRIPTION
1	532 40 66-21	Seat
2	532 18 01-66	Bracket Pivot Fender
3	532 14 06-75	Strap, Asm Fender
6	873 80 06-00	Nut, Lock W/Ins. 3/8-16 unc
7	532 12 41-81	Spring, Seat Cprsn
8	532 17 18-77	Bolt 5/16-18 uncx 3/4 w/Sems
10	532 19 69-77	Pan, Seat
21	532 17 18-52	Bolt, Shoulder 5/16-18

KEY NO.	PART NO.	DESCRIPTION
37	873 80 05-00	Nut, Lock 5/16-18 unc
40	532 19 76-61	Handle Slide Seat
41	532 19 82-00	Spring Latch Seat
43	874 76 06-12	Bolt Fin Hex 3/8-16 unc x 3/4
44	819 13 38-12	Washer 13/32 x 2-3/8 x 12 Ga.

**NOTE:** All component dimensions given in U.S. inches  
1 inch = 25.4 mm

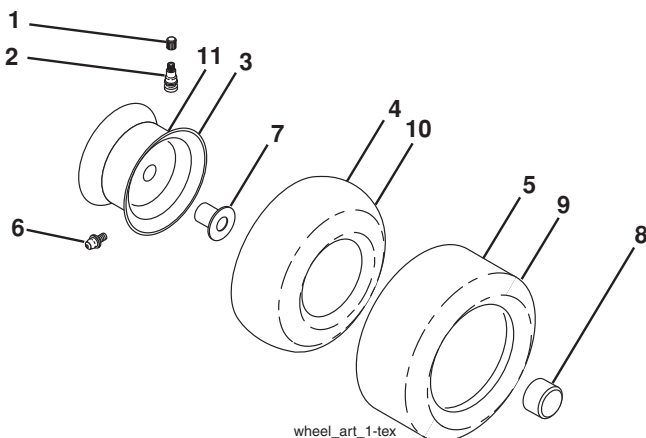
**TRACTOR - - MODEL NUMBER 2246LS (96043004300), PRODUCT NO. 960 43 00-43  
DECALS**



KEY NO.	PART NO.	DESCRIPTION
1	532 41 16-58	Decal, Operators
2	532 41 57-80	Decal, Hood
3	532 41 82-12	Decal, Emblem Panel SD
4	532 41 84-94	Decal, Engine
5	532 18 09-41	Decal, Customer Respons.
6	532 41 82-69	Decal, Replacement
8	532 17 05-63	Decal Mower Warn Keep Handaway

KEY NO.	PART NO.	DESCRIPTION
9	532 14 50-05	Decal, Battery Dnge/Poi
12	532 16 03-96	Decal, Mower V-Belt Schematic
--	532 41 82-77	Decal, Deck Air Induct
--	532 16 69-60	Decal, Bypass
--	532 41 08-05	Pad, Footrest, LH
--	532 41 08-06	Pad, Footrest, RH
--	532 41 83-23	Manual, Owner's (English)
--	532 41 83-24	Manual, Owner's (French)

**WHEELS AND TIRES**



KEY NO.	PART NO.	DESCRIPTION
1	532 05 91-92	Cap Valve Tire
2	532 06 51-39	Stem Valve
3	532 13 83-36	Rim Front Service
4	532 05 99-04	Tube Front (Service Item Only)
5	532 10 62-22	Tire Front 15 x 6.0-6 Service
6	532 12 49-57	Fitting Grease (Front Wheel Only)
7	532 12 49-59	Bearing Flange (Front Wheel Only)
8	532 17 50-39	Cap Axle Blk 1 50 x 1 00
9	532 13 84-68	Tire R T 20 x 8-8 Service
10	532 12 49-26	Tube Rear (Service Item Only)
11	532 13 83-37	Rim Asm 8" rear Service
--	532 14 43-34	Sealant, Tire (10 oz. Tube)

**NOTE:** All component dimensions given in U.S. inches  
1 inch = 25.4 mm



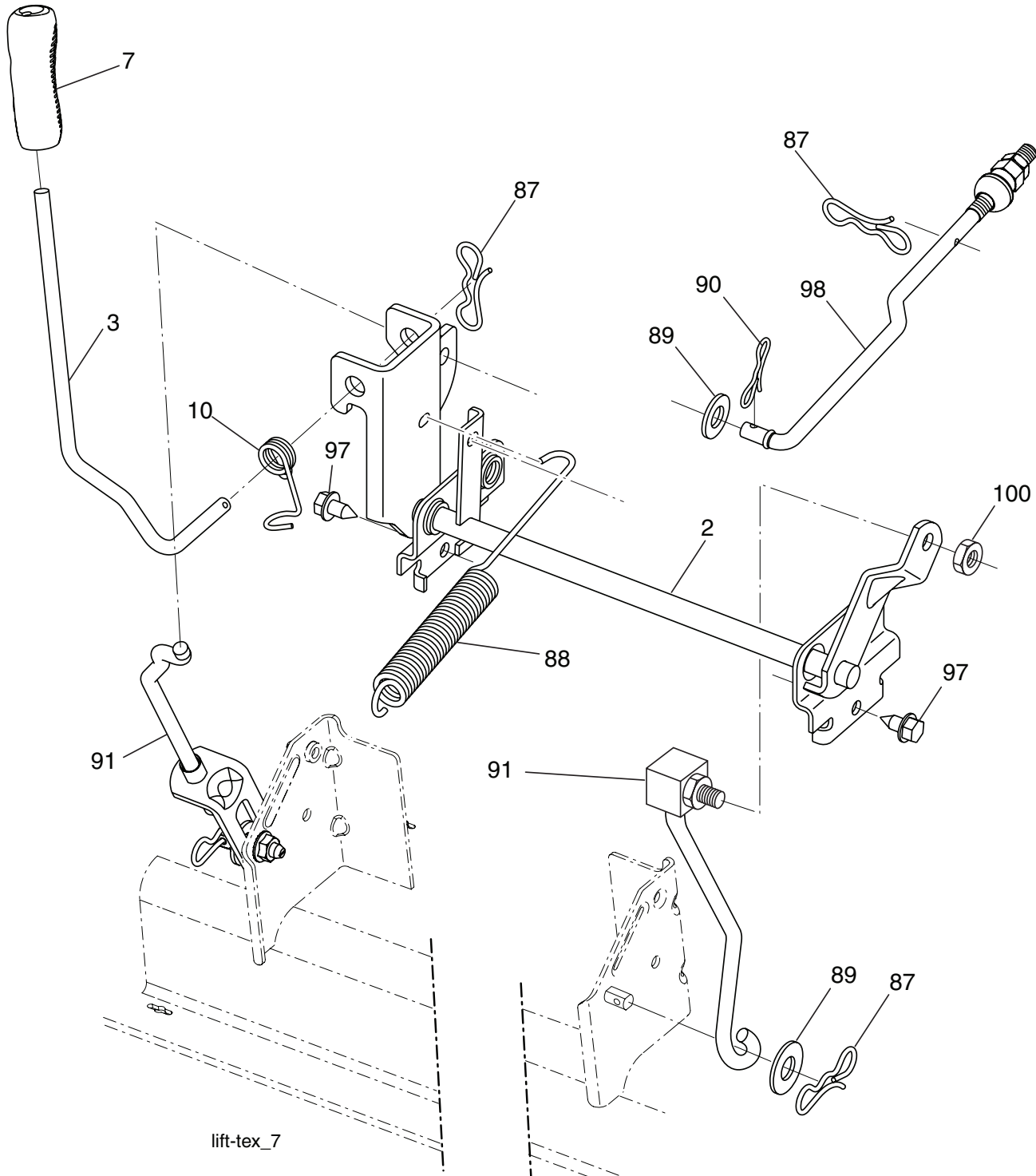
**TRACTOR - - MODEL NUMBER 2246LS (96043004300), PRODUCT NO. 960 43 00-43  
MOWER DECK**

<b>KEY PART NO. NO.</b>	<b>DESCRIPTION</b>
1 532 41 08-63	Mower Housing
2 532 40 55-06	Cover Mandrel RH
3 532 40 55-07	Cover Mandrel LH
6 532 19 51-86	Arm Suspension
8 532 19 30-03	Bolt/Washer asm 7/16-20 unf
11 532 40 53-80	Blade Mower Hi Lift
13 532 19 28-72	Shaft Assembly, Mandrel
14 532 18 72-81	Housing, Mandrel
15 532 11 04-85	Bearing, Ball, Mandrel
19 532 19 65-39	Bolt, Shoulder
21 873 68 05-00	Nut
23 532 19 25-57	Bracket, Deflector
24 532 10 53-04	Cap, Sleeve
25 532 19 70-26	Spring, Torsion, Deflector
26 532 11 04-52	Nut, Push
27 532 40 53-57	Shield, Deflector
29 532 13 14-91	Rod, Hinge
30 532 17 39-84	Screw Thdrol Rolling Wsh Hd
31 532 18 76-90	Washer, Spacer
32 532 19 74-73	Pulley, Mandrel
33 532 40 02-34	Nut, Toplock, Flanged
34 872 11 06-12	Bolt Carr Sh. 3/8-16 x 1-1/2 Gr. 5
36 532 19 73-79	Pulley, Idler, Flat
40 873 90 06-00	Nut, Lock Flg. 3/8-16 unc
46 532 13 77-29	Screw
55 532 19 72-49	Arm, Idler
56 532 19 90-92	Spacer, Retainer
57 817 00 06-16	Screw Hexwsh Thd 3/8-16 x 1
59 532 14 10-43	Guard, Tuv Idler (94)
62 874 52 06-36	Bolt 3/8-16 UNC x 2-1/4 Gr. 5
68 532 40 51-43	V-Belt
69 872 14 05-05	Bolt
116 532 19 34-06	Bolt, Shoulder
117 532 17 48-73	Wheel, Gauge
119 819 13 20-12	Washer 13/32 x 1-1/2 x 11 Ga.
145 532 19 31-97	Pulley Idler
147 532 19 72-51	Spring Return
188 532 19 51-61	Stud Fastener
189 873 90 05-00	Nut Lock Hex Flange
197 819 13 13-12	Washer 13/32 x 13/16 x 12 Ga.
198 532 40 31-49	Baffle Center Front
199 532 40 31-50	Baffle Front RH
200 819 41 35-24	Washer 13/32 x 2 x 10 Ga.
241 532 15 29-27	Screw
242 532 41 55-98	Washout Port
-- 532 19 28-70	Mandrel Assembly (Includes housing, shaft and shaft hardware only-pulley not included)
-- 532 41 82-26	Replacement Mower, Complete

**NOTE:** All component dimensions given in U.S. inches  
1 inch = 25.4 mm



**TRACTOR - - MODEL NUMBER 2246LS (96043004300), PRODUCT NO. 960 43 00-43  
MOWER LIFT**



lift-tex\_7

KEY NO.	PART NO.	DESCRIPTION
2	532 19 52-23	Shaft Asm., Lift
3	532 19 52-31	Lever Asm., Lift Rh
7	532 41 15-55	Grip, Lever
10	532 19 63-14	Spring Torsion
87	532 19 42-09	Pin Cotter 7/16 Bow Tie Lock
88	532 41 07-10	Spring Lift Assist
89	819 19 19-12	Washer Clear Zinc
90	532 19 42-08	Pin Cotter 5/16 Bow Tie Lock

KEY NO.	PART NO.	DESCRIPTION
91	532 19 51-81	Link Lift Susp Mower Rear
97	817 00 06-12	Screw 3/8-16 x 3/4
98	532 19 52-70	Link Lift Susp. Front Mower
100	873 93 06-00	Nut Center Lock 3/8-16 UNC

**NOTE:** All component dimensions given in U.S. inches  
1 inch = 25.4 mm

