



# SERVICE PARTS LIST

**BULLETIN NO.**  
54-07-2350

SPECIFY CATALOG NO. AND SERIAL NO. WHEN ORDERING PARTS		REVISED BULLETIN	DATE
4-20 MILLIAMP CLAMP METER			Mar. 2012
CATALOG NO.	2231-20	SERIAL NUMBER	E24A
WIRING INSTRUCTION			

**EXAMPLE:**  
Component Parts (Small #)  
Are Included When Ordering  
The Assembly (Large #).

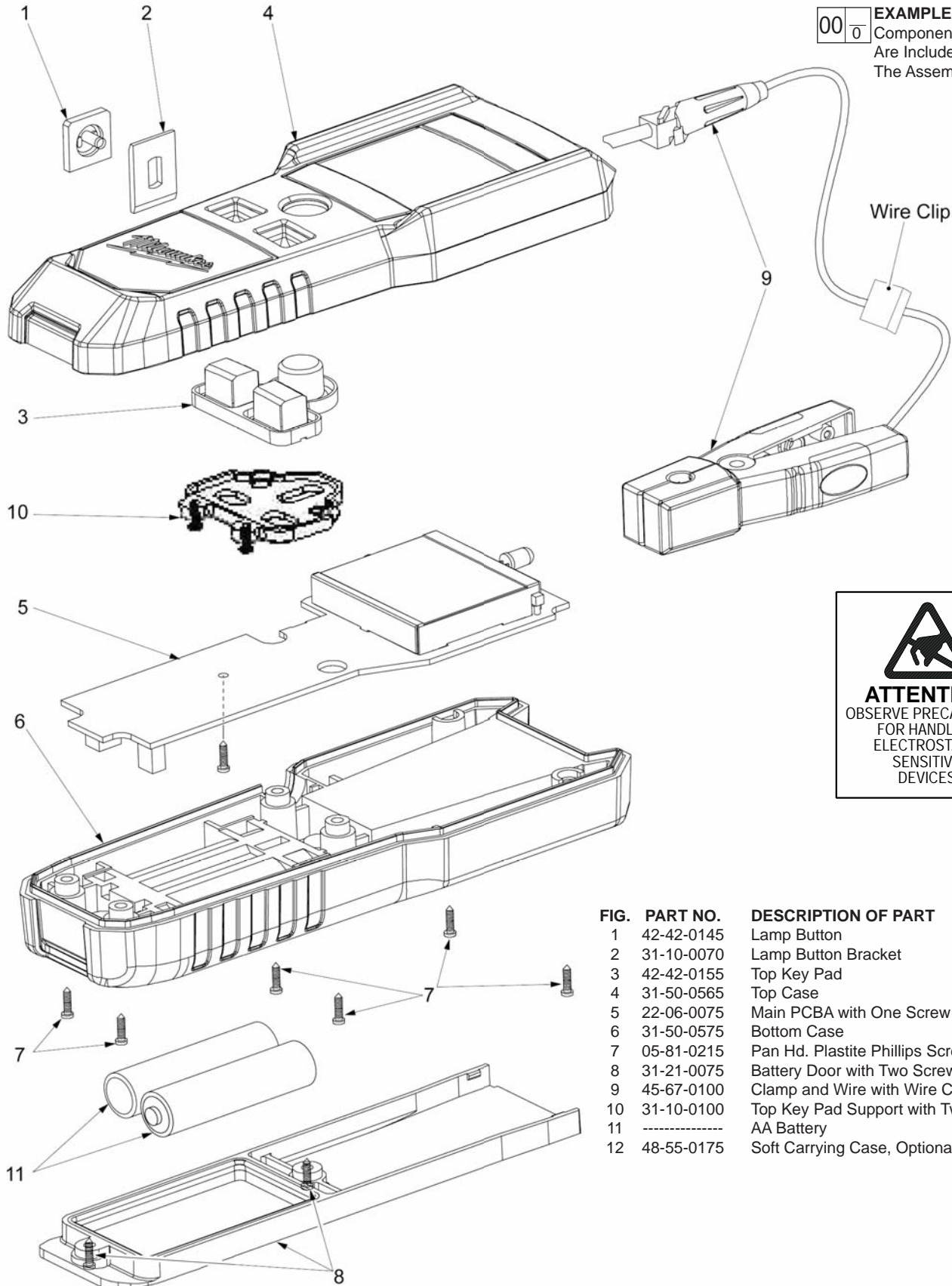


FIG.	PART NO.	DESCRIPTION OF PART	NO. REQ.
1	42-42-0145	Lamp Button	(1)
2	31-10-0070	Lamp Button Bracket	(1)
3	42-42-0155	Top Key Pad	(1)
4	31-50-0565	Top Case	(1)
5	22-06-0075	Main PCBA with One Screw	(1)
6	31-50-0575	Bottom Case	(1)
7	05-81-0215	Pan Hd. Plastite Phillips Screw	(6)
8	31-21-0075	Battery Door with Two Screws	(1)
9	45-67-0100	Clamp and Wire with Wire Clip	(1)
10	31-10-0100	Top Key Pad Support with Two Screws	(1)
11	-----	AA Battery	(2)
12	48-55-0175	Soft Carrying Case, Optional	(1)