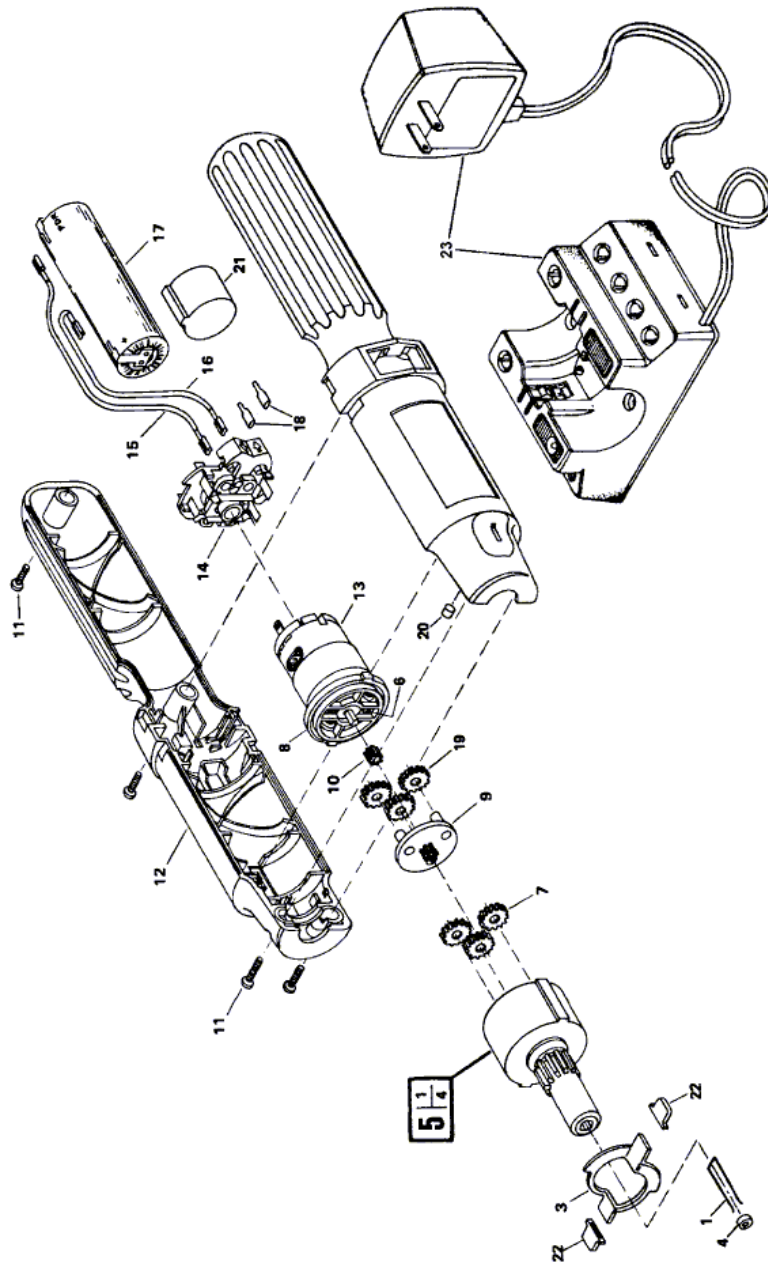


Cordless Drill Driver - F 012 220 599 - 2205 TYPE ...

Item	Part Number	Description	Illustration	Price	Quantity	Price Group
1	2 610 354 744	Holding Spring	1	-,-	1	19
3	2 610 354 723	Rubber Buffer	1	-,-	1	14
4	2 610 354 744	Holding Spring	1	-,-	3	19
5	2 610 350 009	Gear Blank	1	-,-	1	24
6	2 610 350 012	Screw	1	-,-	2	11
7	2 610 347 918	Toothed Gear	1	-,-	3	11
8	2 610 347 911	Plate	1	-,-	1	11
9	2 610 353 495	Support	1	-,-	1	13
10	2 610 352 042	Toothed Gear	1	-,-	1	11
11	2 610 347 948	Screw	1	-,-	4	11
12	2 610 356 786	Housing	1	-,-	1	-
13	2 610 352 716	Motor 2,4-3,6V	1	-,-	1	22
14	2 610 352 517	Switch	1	-,-	1	21
15	2 610 350 149	Lead Wire	1	-,-	1	-
16	2 610 352 519	Lead Wire	1	-,-	1	-
17	2 610 352 507	Battery Set	1	-,-	1	32
18	2 610 302 331	Insulating Sleeve	1	-,-	2	13
19	2 610 350 359	Toothed Gear	1	-,-	3	11
20	2 610 354 679	Plug	1	-,-	1	11
21	2 610 353 506	Bushing	1	-,-	1	13
22	2 610 355 038	Cover	1	-,-	2	13
23	2 610 092 000	Fast Charger USA 120/3,6V	1	-,-	1	-

Illustration - Type E



F01220599

Stand }
Issue } 00-06-01

Fig./Abb. 1

Änderungen vorbehalten
Modifications reserved
Modificacions reserves
Salvo modificaciones

Information subject to change without further notice.