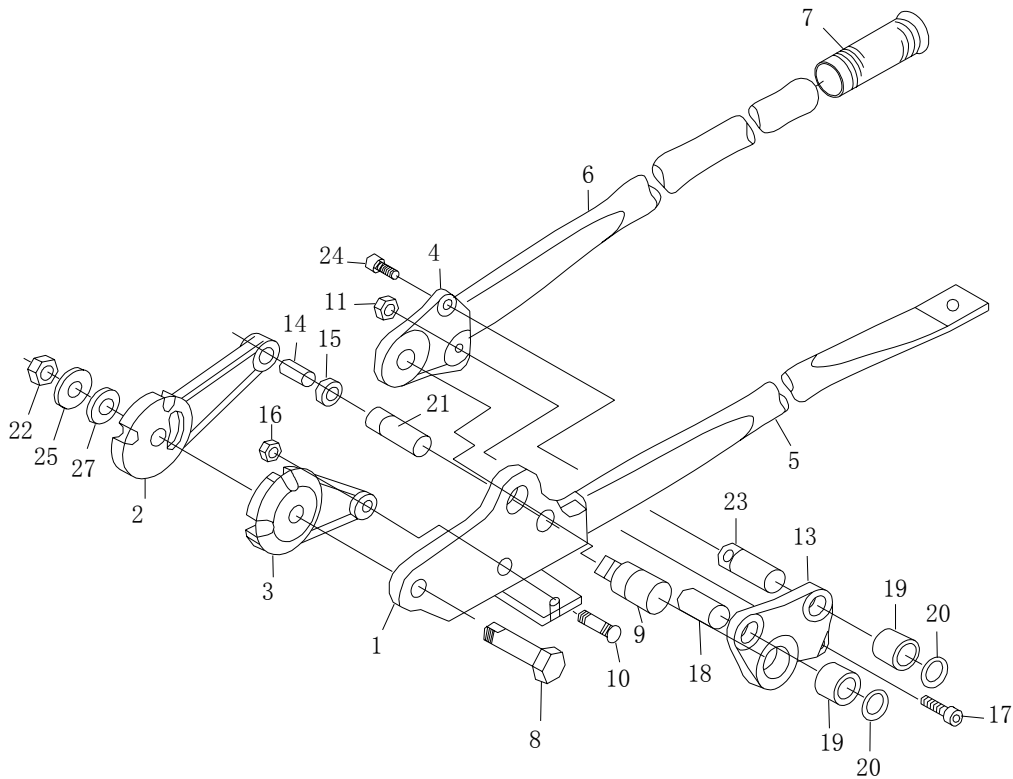


RCB-16NDLX Rebar Cutter Bender



Index No.	Part No.	Description	Size	Qty
1	RCB16-01	Body with Anchor Plate and Handle		1
2	RCB16-02	Jaw (refer to Stock #220017) *		1
3	RCB16-03	Jaw (refer to Stock #220017) *		1
4	RCB16-04	Handle Head with Handle		1
5	RCB16-05	Handle (welded to Part RCB16-04)		1
6	RCB16-06	Handle (riveted to part RCB16-01)		1
7	RCB16-07	Rubber Grip		1
8	RCB16-08	Head Center Bolt *		1
9	RCB16-09	Handle Fitting Pin		1
9A	RCB16-109	Snap Ring	M22	1
10	RCB16-10	Bolt *		1
11	TS-1540081	Hex Nut	M12	1
13	RCB16-13	Plate		1
14	RCB16-14	Roller Pin for Jaw *		1
15	RCB16-15	Roller for Jaw *		1
16	TS-2310142	Hex Nut *	M14 x 1.5	1
17	TS-1506041	Socket Head Cap Screw	M12 x 35	1
18	RCB16-18	Bender Pin		1
19	RCB16-19	Roller		2
20	RCB16-20	Snap Ring	M25	2
21	RCB16-21	Receiving Pin		1
22	RCB16-22	Hex Nut *	M20 x 1.5	1
23	RCB16-23	Bender Pin		1
24	TS-1506021	Socket Head Cap Screw	M12 x 30	1
25	RCB16-25	D Washer Thin *		1
27	RCB16-27	D Washer Thick *		1
	RCB16-WL	Warning Label (not shown)		1
	RCB16-IL	Instruction Label (not shown)		1
	220017	Replacement Head Assembly		

* Parts Included in Replacement Head Assembly (Stock # 220017)