



# SERVICE PARTS LIST

**BUL. 54-12-5010**

## 1" ELECTRIC DRILL

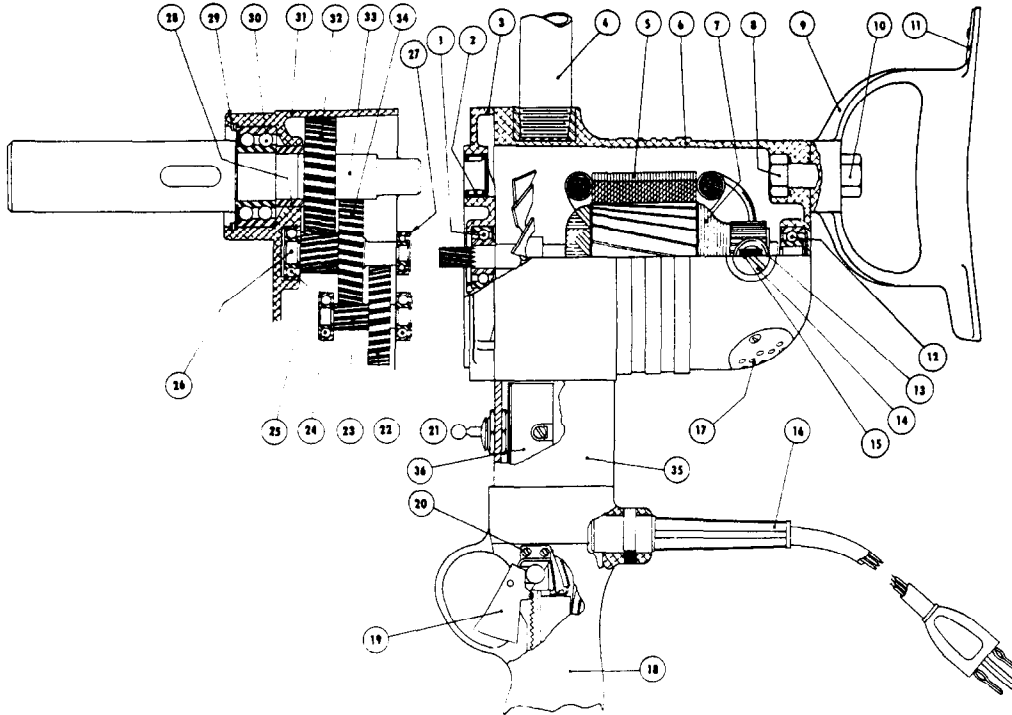
REVISED BUL. 6129-1      DATE Feb. '68

**Catalog No. 2200-1**

Starting Serial No. **129-1001**

WIRING INSTR.

Both Model and Serial No. must be furnished to obtain correct parts.



CORRECTS AND SUPERCEDES SERVICE BULLETIN 6129-1 DATED 3/10/59

### ILLUSTRATED PARTS

FIG. PART NO.	DESCRIPTION OF PART	FIG. PART NO.	DESCRIPTION OF PART
1	02-04-1140 Ball Bearing (Pinion End)	19	23-66-0190 Switch
2	02-50-4820 Needle Bearing	20	42-36-0230 Switch Bracket
3	28-28-0301 Diaphragm	21	02-04-0910 Ball Bearing
4	43-62-0120 Pipe Handle	22	32-42-1201 1st Intermediate Gear
5	18-82-1060 Field Assembly	23	36-66-1251 1st Intermediate Pinion Shaft
6	28-50-4161 Motor Housing	24	02-04-0910 Ball Bearing
7	16-82-1091 Armature Assembly	25	02-04-1210 Ball Bearing
8	06-75-0850 1/2-13x1-1/2 Spade Handle Bolt (Hex.Hd.)	26	36-66-1301 2nd Inter. Pinion Shaft
9	28-44-7121 Spade Handle	27	02-04-0820 Ball Bearing
10	06-55-2850 1/2-13 Spade Handle Jam Nut	28	45-36-0080 Spindle Spacer
11	42-70-0110 Spade Handle Key Clip	29	34-80-3800 Spindle Ball Brg. Retaining Ring
12	02-04-1070 Ball Bearing (Comm. End)	30	02-20-2520 Ball Bearing
13	22-22-0015 Brush Holder Assembly (2)	31	28-14-0441 Gear Case
14	23-44-0030 Brush Retaining Screw Assembly (2)	32	32-75-1261 Spindle Gear
15	22-18-0055 Carbon Brush Assemblies	33	38-50-1551 No. 3 Morse Taper Spindle
16	22-64-0080 Cord (3-wire)	34	32-44-1141 2nd Intermediate Gear
17	44-66-0180 Air Intake Cover Plate	35	28-50-7121 Reverse Switch Housing
18	28-44-9241 Switch Handle	36	23-66-0340 Reverse Switch

### MISCELLANEOUS PARTS NOT SHOWN

PART NO.	DESCRIPTION OF PART	PART NO.	DESCRIPTION OF PART
12-98-0900	Name Plate	06-81-2150	1/4-20x3-3/4 Fil.Hd. Switch Handle Screws (4)
48-86-0070	Drift	48-03-0010	Attachment Plug Adaptor
06-81-8650	6-32x1/4 Rd.Hd. Spade Handle Key Clip Scs. (2)	06-83-2670	1/4-20x1/2 Hd'less Brush Holder Set Screws (2)
06-81-8650	6-32x1/4 Rd.Hd. Switch Mounting Screws Sems(2)	06-81-8625	6-32x1/4 Rd.Hd. Brass Ground Wire Screws
06-81-3450	6-32x5/16 Oval Hd. Switch Bracket Scs. (2)	06-97-3200	Kantlink Lock Washers (2)
06-85-0200	6x1/4 P.K. Air Intake Plate Screws (2)	06-97-3800	Kantlink Lock Washers (2)
06-77-0450	4x1/4 Driv-In Name Plate Screws (2)	06-42-2000	Woodruff Key
06-81-7900	1/4-20x1-1/2 Fil.Hd. Gear Case Screws (2)	06-42-1200	Woodruff Key
06-81-1975	1/4-20x2-1/4 Fil.Hd. Gear Case Screws (2)	06-42-2400	Woodruff Key
06-81-1100	10-24x2-1/2 Rd.Hd. Field Screws (2)	45-30-0070	Ball Bearing Retaining Slug

Numbers in brackets indicate number required.