



SERVICE PARTS LIST

BUL. 54-12-5002

1" ELECTRIC DRILL

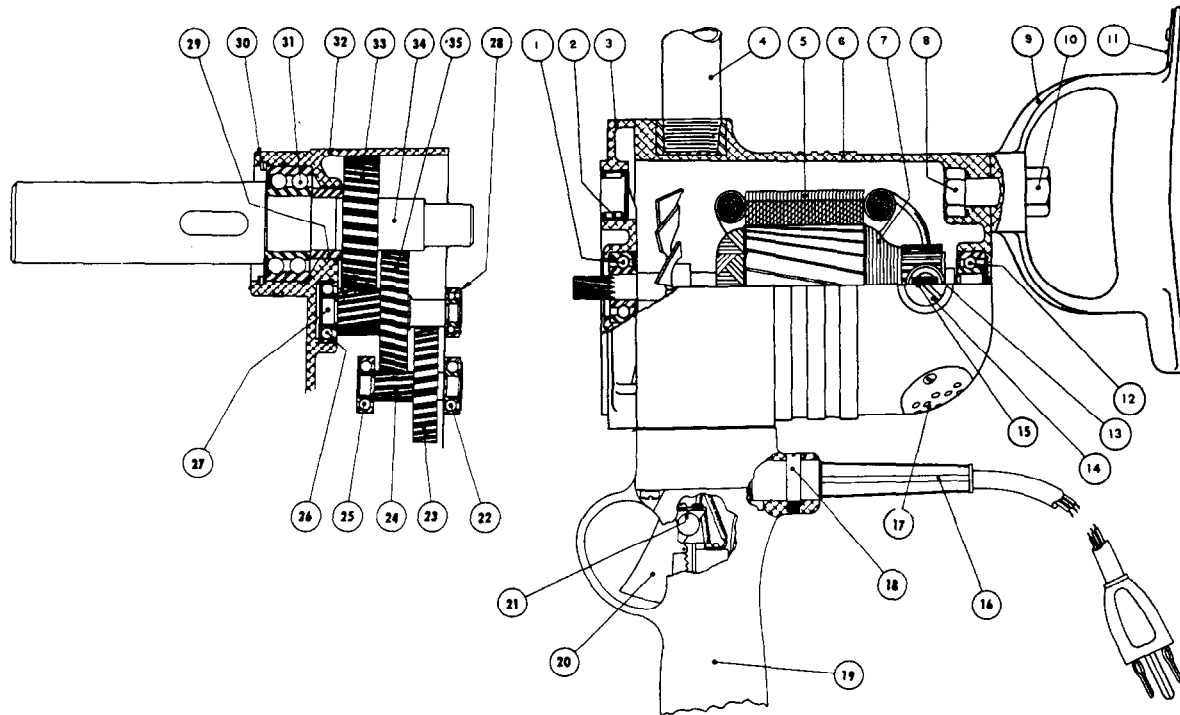
REVISED BUL 6106-3 DATE Feb. '68

Catalog No. 2200

Starting Serial No. **106-1378**

WIRING INSTR. **58-01-0350**

Both Model and Serial No. must be furnished to obtain correct parts.



ILLUSTRATED PARTS

FIG.	PART NO.	DESCRIPTION OF PART
1	02-04-1140	Ball Bearing (Pinion End)
2	02-50-4820	Needle Bearing
3	28-28-0301	Diaphragm
4	43-62-0120	Pipe Handle
5	18-82-1060	Field Assembly
6	28-50-4161	Motor Housing
7	16-82-1080	Armature Assembly
8	06-75-0850	1/2" - 13x1-1/2" Spade Han. Bolt (Hex. Hd.)
★ 9	14-34-0100	Spade Handle Assembly
10	06-55-2850	1/2" - 13 Spade Handle Jam Nut
11	42-70-0110	Spade Handle Key Clip
12	02-04-1070	Ball Bearing (Comm. End)
13	22-22-0015	Brush Holder Assembly (2)
14	23-44-0030	Brush Retaining Screw Assembly (2)
15	22-18-0055	Carbon Brush Assemblies (2)
16	22-64-0080	Cord (3-wire)
17	44-66-0180	Air Intake Cover Plate
18	45-04-0100	Cord Retaining Screw

FIG.	PART NO.	DESCRIPTION OF PART
19	28-44-9241	Switch Handle
20	23-66-0190	Switch
21	42-36-0230	Switch Bracket
22	02-04-0910	Ball Bearing
23	32-42-1201	Intermediate Gear
24	36-66-1251	Intermediate Pinion Shaft
25	02-04-0910	Ball Bearing
26	02-04-1210	Ball Bearing
27	36-66-1301	Inter. Pinion Shaft
28	02-04-0820	Ball Bearing
29	45-36-0080	Spindle Spacer
30	34-80-3800	Ball Bearing Retaining Ring
31	02-20-2520	Ball Bearing
32	28-14-0441	Gear Case
33	32-75-1261	Spindle Gear
34	38-50-1551	No. 3 Morse Taper Spindle
35	32-44-1141	2nd Intermediate Gear

MISCELLANEOUS PARTS NOT SHOWN

PART NO.	DESCRIPTION OF PART	PART NO.	DESCRIPTION OF PART
★12-98-0900	Name Plate	06-81-7900	1/4-20x1-1/2 Fil. Hd. Switch Handle Scs. Sem (4)
★48-86-0070	Draft Pin	.48-03-0010	Attachment Plug Adaptor
06-81-8650	6-32x1/4 Rd. Hd. Sem Spade Han. Key Clip Sc.	06-81-8625	6-32x1/4 Rd. Hd. Sems Brass Ground Wire Screws
06-81-8650	6-32x1/4 Rd. Hd. Sem Switch Mounting Screws (2)	★06-97-3400	Kantlink Lock Washers (2)
06-81-3450	6-32x5/16 Oval Hd. Switch Bracket Screws (2)	06-97-3800	Kantlink Lock Washers (2)
06-81-7900	1/4-20x1-1/2 Fil. Hd. Gear Case Screws (2)	06-42-2000	Woodruff Key
06-81-1975	1/4-20x2-1/4 Fil. Hd. Gear Case Screws (2)	06-42-1200	Woodruff Key
06-81-1100	10-24x2-1/2 Fil. Hd. Field Screws <i>SCS</i> (2)	06-42-2400	Woodruff Key
★06-97-1800	Lock Washer <i>LD</i> (4)	★45-30-0070	Ball Bearing Retaining Slug (2)
★06-81-8400	4-40x1/4 Rd. Hd. Name Plate Sem (2)	★06-81-8650	6-32x1/4 Rd. Hd. Air Intake Plate Sem. (2)
★06-83-2650	1/4-20x3/8 Hd'less Brush Holder Set Screw (2)		

9200