

22-840 BASIC GRINDING & JOINTING ATTACHMENT

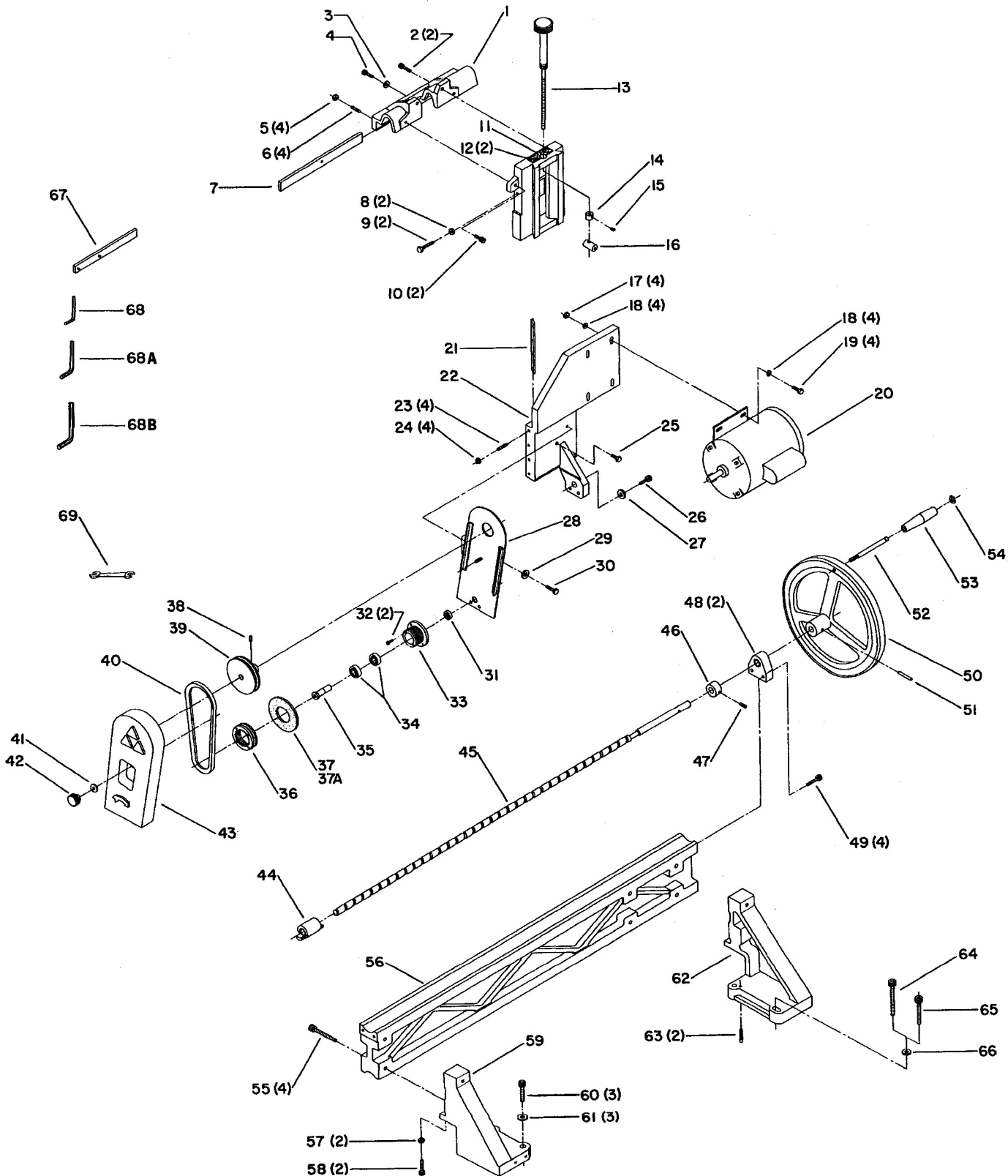
22-841 ATTACHMENT PARTS
(For Straight Knife Cutterheads)

22-842 ATTACHMENT PARTS
(For Helical Carbide Cutterheads)

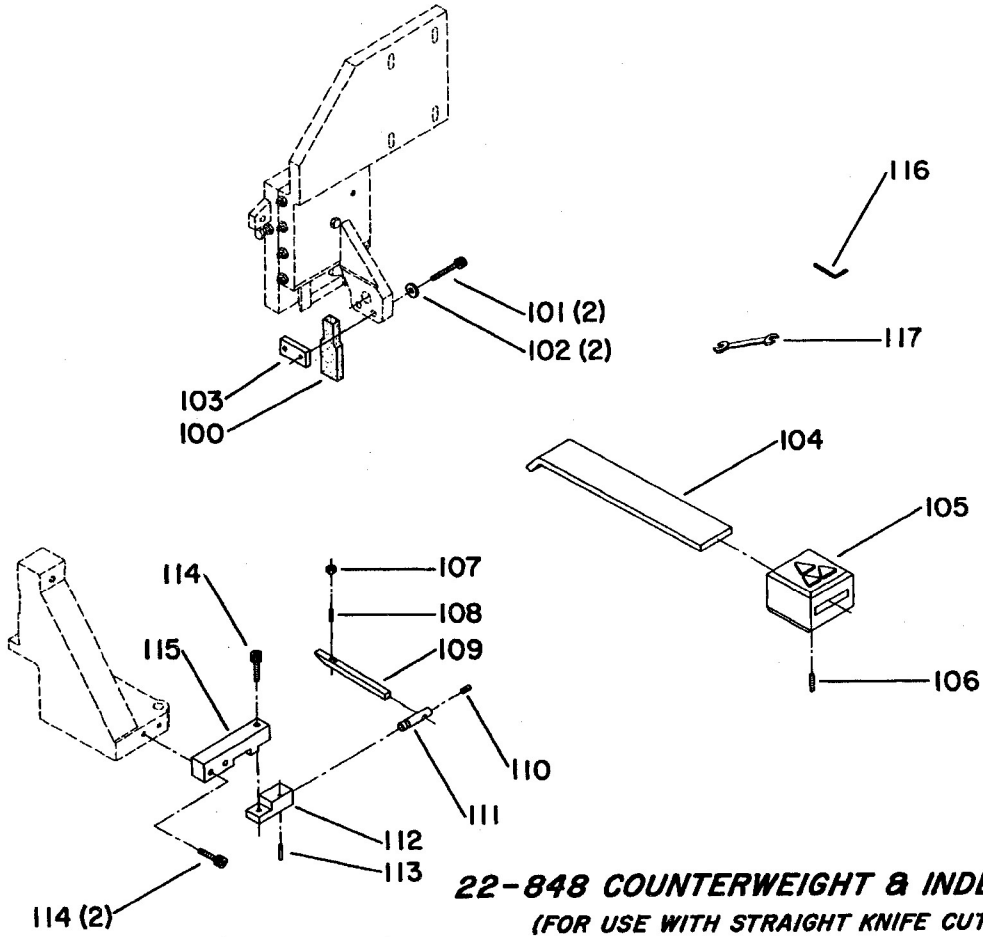
P-7-2

Part No. 1340206

Revised: 5/4/95



NOTE A: UNITS WITH SERIAL NUMBERS AS FOLLOWS, RC-63N - LOWER THAN 30,
 RC-63D - LOWER THAN 182, RC-51 - LOWER THAN 688 HAVE ADAPTER PLATES
 ON TOP OF THE LEFT AND RIGHT HAND BEARING BLOCKS WHICH REQUIRES
 THE USE OF A LONGER (80MM) MOUNTING BOLT AT THIS LOCATION ONLY.



22-848 COUNTERWEIGHT & INDEXING ASS'Y.
 (FOR USE WITH STRAIGHT KNIFE CUTTERHEADS)

22-849 FOLLOWER ASS'Y.
 (FOR USE WITH HELICAL CARBIDE CUTTERHEADS)

