

# 22-840 BASIC GRINDING & JOINTING ATTACHMENT

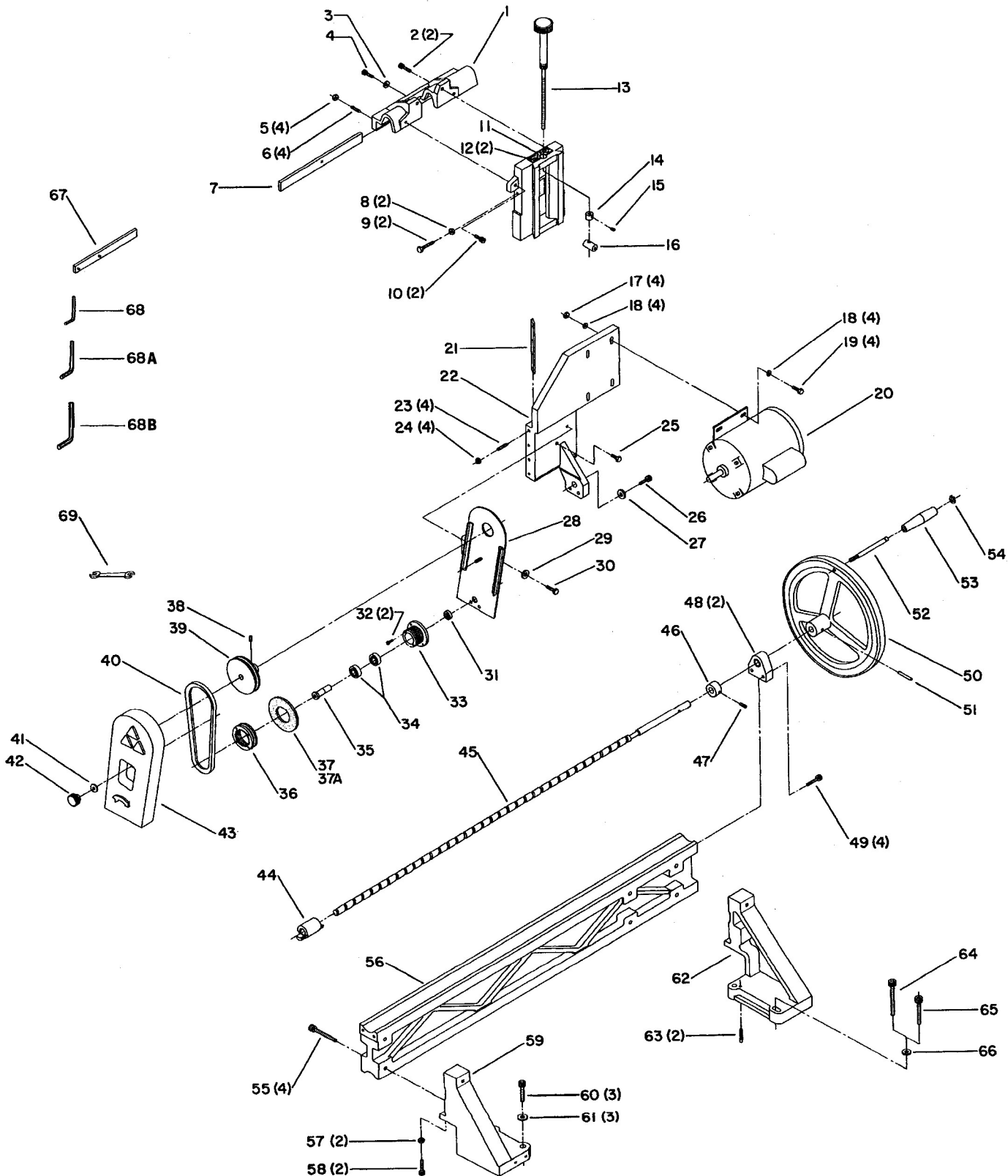
## 22-841 ATTACHMENT PARTS (For Straight Knife Cutterheads)

## 22-842 ATTACHMENT PARTS (For Helical Carbide Cutterheads)

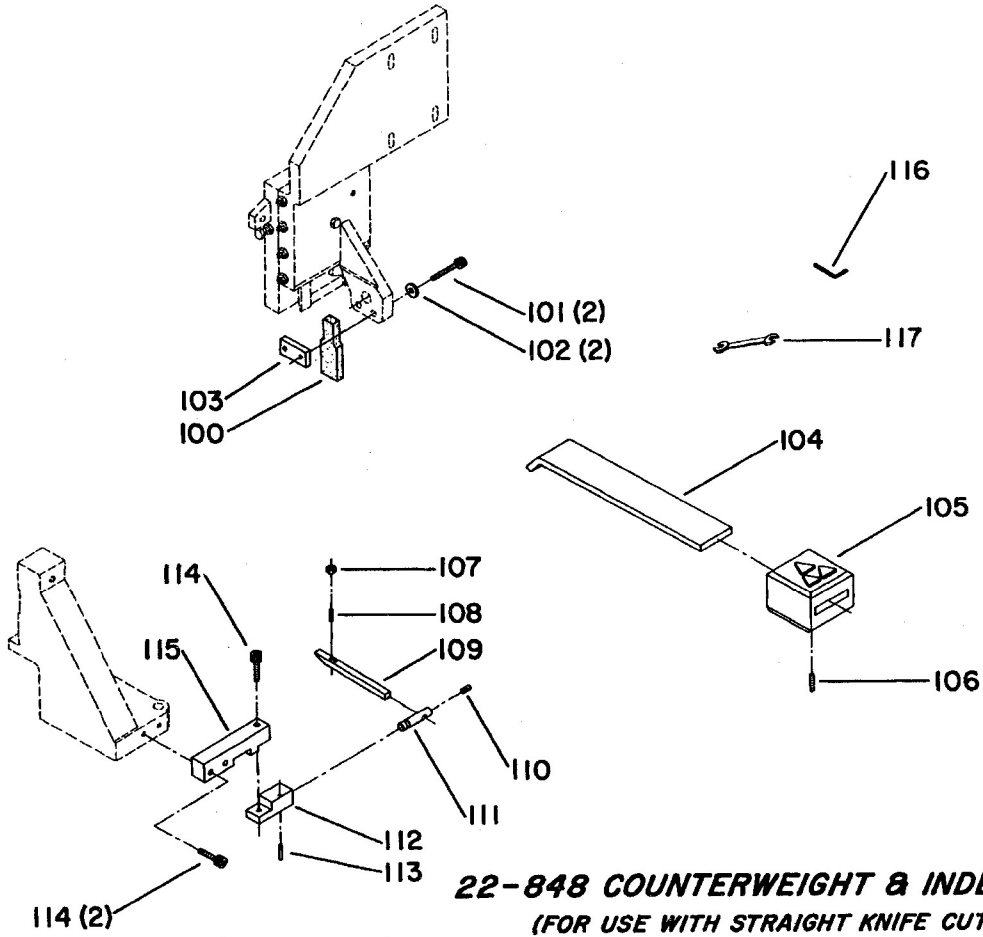
# P-7-2

Part No. 1340206

Revised: 5/4/95



**NOTE A:** UNITS WITH SERIAL NUMBERS AS FOLLOWS, RC-63N - LOWER THAN 30, RC-63D - LOWER THAN 182, RC-51 - LOWER THAN 688 HAVE ADAPTER PLATES ON TOP OF THE LEFT AND RIGHT HAND BEARING BLOCKS WHICH REQUIRES THE USE OF A LONGER (80MM) MOUNTING BOLT AT THIS LOCATION ONLY.



**22-848 COUNTERWEIGHT & INDEXING ASS'Y.**  
 (FOR USE WITH STRAIGHT KNIFE CUTTERHEADS)

**22-849 FOLLOWER ASS'Y.**  
 (FOR USE WITH HELICAL CARBIDE CUTTERHEADS)

