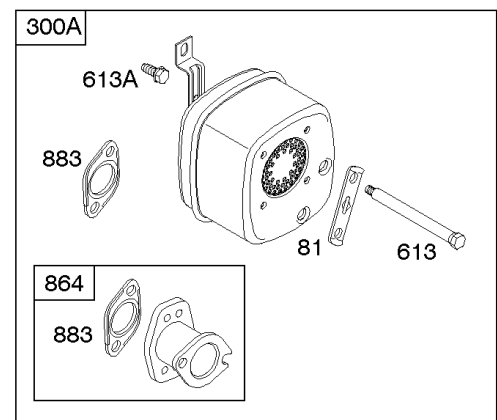
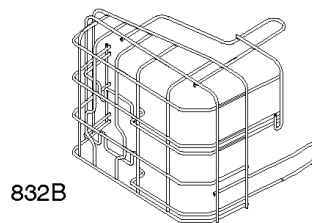
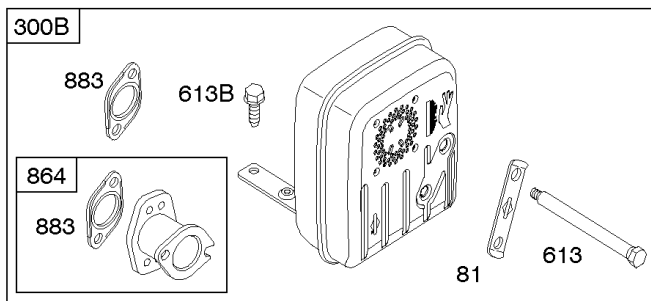
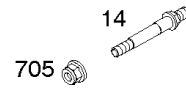
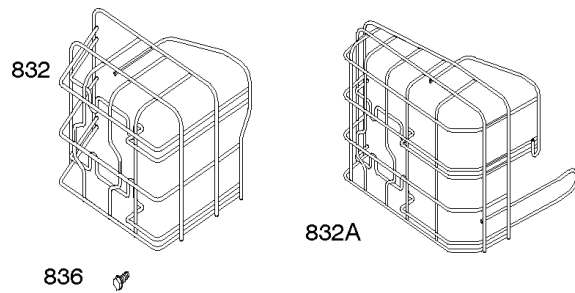
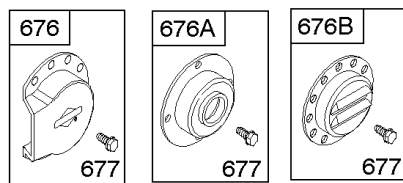
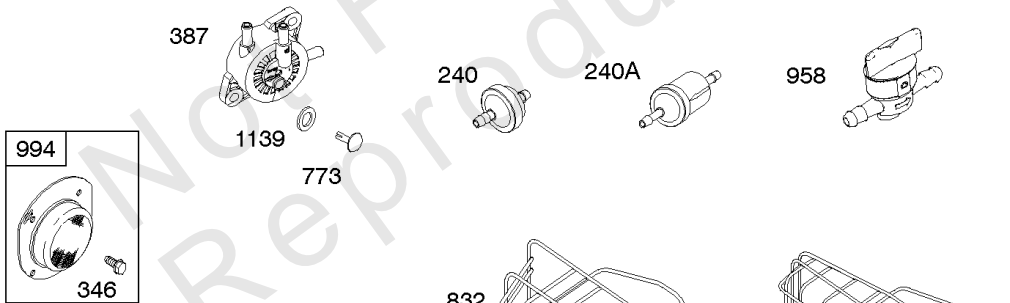
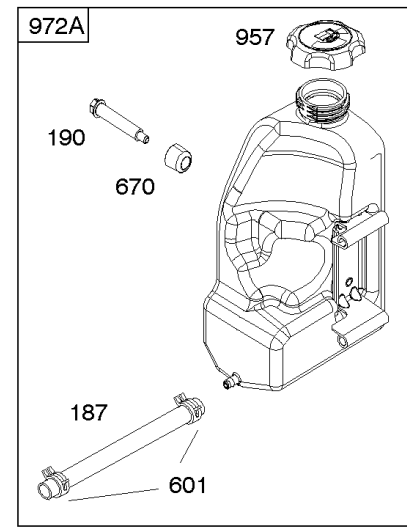
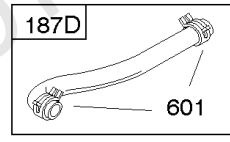
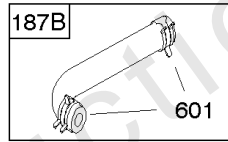
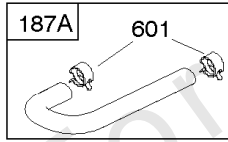
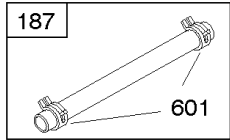
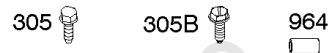
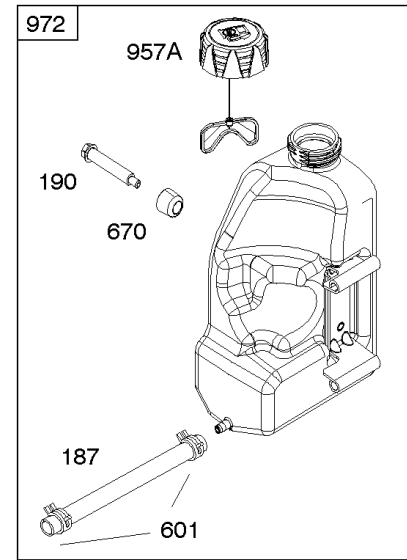
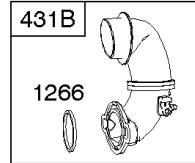
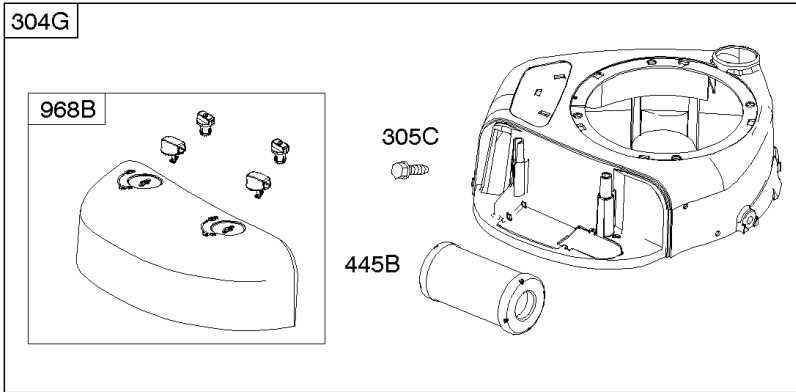
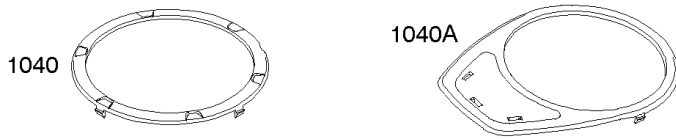




# Parts Manual

Mfg. No: 21R707-0005-B1



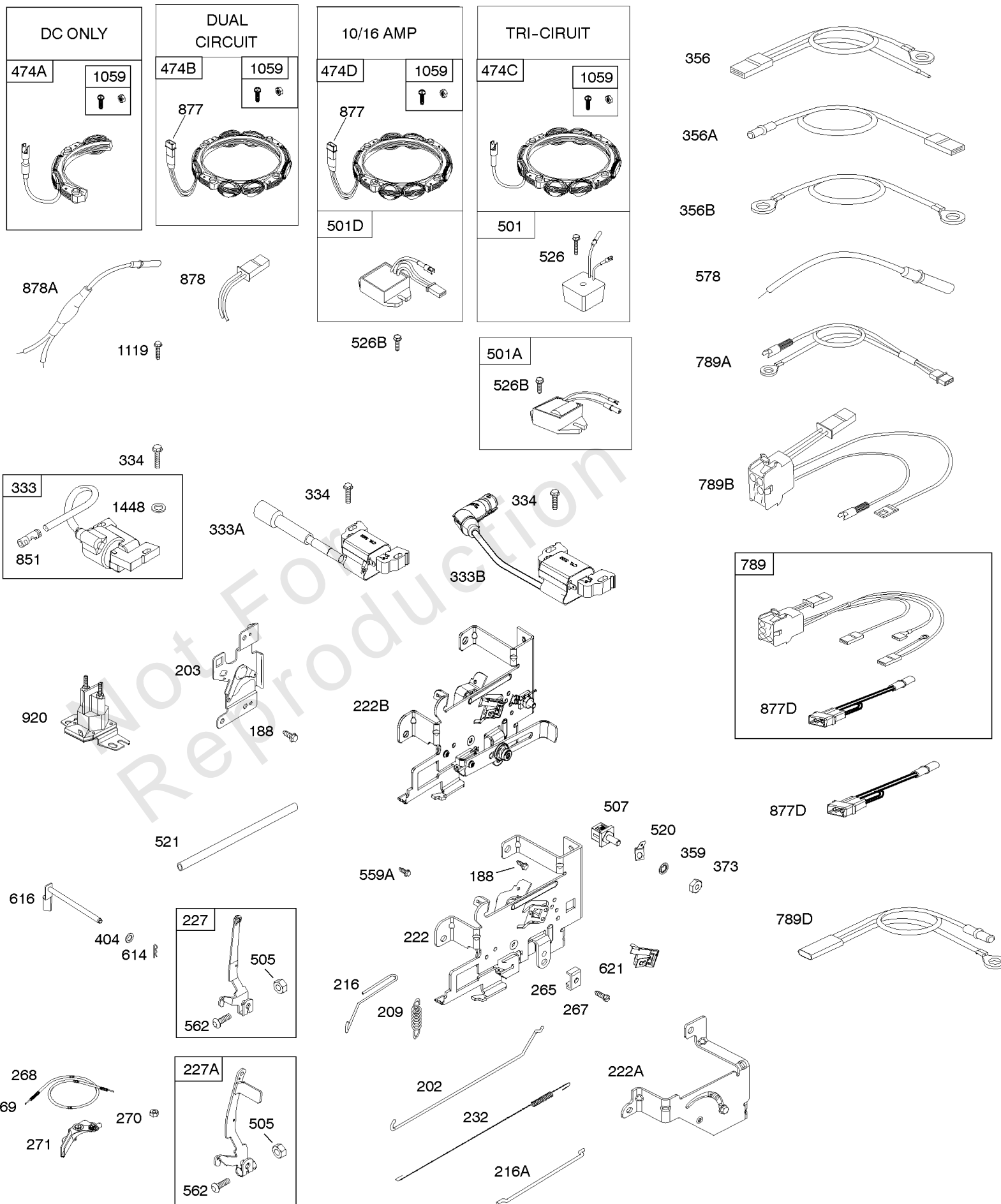
## Air Cleaner, Blower Housing, Exhaust System, Fuel Supply

REF NO	PART NO	QTY	DESCRIPTION
14	790560		STUD -(Cylinder Head)
81	691178		LOCK, Muffler Screw
187	791766		LINE, Fuel -(15" Long)(Cut to Required Length)
187A	796491		LINE, Fuel -(Formed)(Cut To Required Length)
187D	791744		LINE, Fuel -(Formed)(Cut To Required Length)
187B	791805		LINE, Fuel -(Formed)(Cut To Required Length)
190	796174		SCREW -(Fuel Tank)
240	394358S		FILTER, Fuel -(White, 75 Microns)
240A	84001895		FILTER, Fuel
300A	796000		MUFFLER
300B	795997		MUFFLER
304G	591641		HOUSING, Blower -(Black-Compatible With Canister Style Filter)
305	697102		SCREW -(Blower Housing)
305B	795891		SCREW -(Blower Housing) (Blower Housing To Intake Elbow)
305C	799370		SCREW -(Blower Housing) (Used On Grommet Style Blower Housings)
346	794845		SCREW -(Spark Arrestor)
387	808656		PUMP, Fuel
431B	797901		ELBOW, Intake -(EVAP)
445B	591583		FILTER, A/C Cartridge -(Canister)
601	791850		CLAMP, Hose -(Green)
613	691416		SCREW -(Muffler)
613A	691678		SCREW -(Muffler)
613B	690297		SCREW -(Muffler)
670	796175		SPACER, Fuel Tank
676	795036		DEFLECTOR, Muffler
676A	396903		DEFLECTOR, Muffler
676B	795038		DEFLECTOR, Muffler
677	690367		SCREW -(Muffler Deflector) (#8-18 x 0.563 lg)
677	690661		SCREW -(Muffler Deflector) (#8-18 x 0.375 lg)
705	790561		NUT -(Fuel Tank)
773	796448		RETAINER
823	698941		SCREW -(Muffler Adapter)
832	790244		GUARD, Muffler
832A	595029		GUARD, Muffler
832B	706336		GUARD, Muffler
836	690367		SCREW -(Muffler Guard)

## ***Air Cleaner, Blower Housing, Exhaust System, Fuel Supply***

<b>REF NO</b>	<b>PART NO</b>	<b>QTY</b>	<b>DESCRIPTION</b>
864	796002		ADAPTER, Muffler -(2 1/4" Long)
883	692236		GASKET, Exhaust
957	795027		CAP, Fuel Tank -(Standard)
957A	799719		CAP, Fuel Tank -(Carbon In Cap)
958	698183		VALVE, Fuel Shut Off
964	799159		CAP, Connector -(EVAP)
968B	591646		COVER, Air Cleaner -(Black-Compatible With Canister Style Filter)
972	799111		TANK, Fuel -(Fluorinated)
994	794945		ARRESTOR, Spark
1040	698368		PLATE, Trim -(Black)
1139	796449		WASHER -(Fuel Pump Bracket)
1266	691917		SEAL, O-Ring -(Intake Elbow)

Not For Reproduction



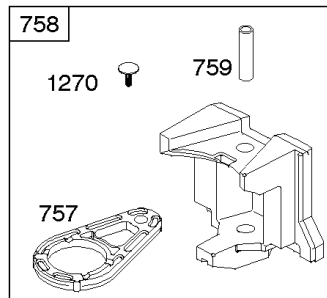
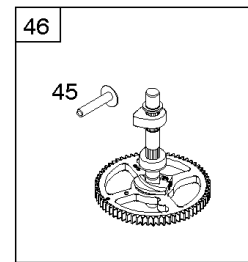
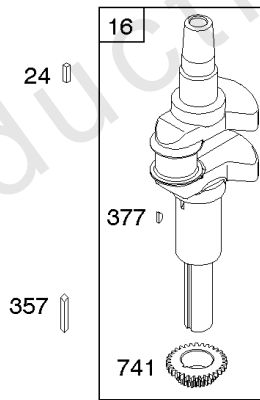
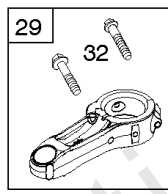
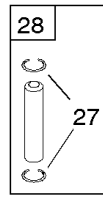
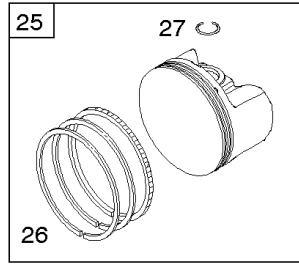
## Alternator, Controls, Governor Spring, Ignition

REF NO	PART NO	QTY	DESCRIPTION
188	691693		SCREW -(Control Bracket)
202	691841		LINK, Mechanical Governor
203	691381		CRANK, Bell
209	796261		SPRING, Governor -(Yellow)
216	691840		LINK, Choke
216A	691281		LINK, Choke
222	694042		BRACKET, Control
227	691374		LEVER, Governor Control
232	691842		SPRING, Governor Link
265	691024		CLAMP, Casing
267	794904		SCREW -(Casing Clamp) (#10-32x.62)
267	699891		SCREW -(Casing Clamp) (#8-32x.50)
268	691025		CASING, Control Wire -(Cut To Required Length)
269	691026		WIRE, Control -(Cut To Required Length)
270	691027		NUT -(Control Wire Casing)
271	691028		LEVER, Control
333A	594626		ARMATURE, Magneto -Used After Code Date 16080800 -Used Before Code Date 16100100
333B	595304		ARMATURE, Magneto -(EMC Compliant) -Used After Code Date 16093000
334	691061		SCREW -(Magneto Armature)
356	398808		WIRE, Stop -(Cut To Required Length)
356A	697397		WIRE, Stop
356B	697089		WIRE, Stop
359	691077		WASHER -(Ground Terminal)
373	845823		NUT -(Ground Terminal)
404	691691		WASHER -(Governor Crank)
474B	592831		ALTERNATOR -(Dual Circuit)
501	794360		REGULATOR
505	691251		NUT -(Governor Control Lever)
507	691972		INSULATOR
520	691084		TERMINAL, Ground
521	690581		SHIELD, Cable
526	697088		SCREW -(Regulator)
526B	697348		SCREW -(Regulator)
559A	693675		SCREW -(Remote Choke Stop) (Length .419 Inches)
562	691119		BOLT -(Governor Control Lever)
578	692306		WIRE ASSEMBLY

## Alternator, Controls, Governor Spring, Ignition

REF NO	PART NO	QTY	DESCRIPTION
614	691620		PIN, Cotter
616	692012		CRANK, Governor
621	692310		SWITCH, Stop
789	698329		HARNESS, Wiring
789A	594433		HARNESS, Wiring
851	692424		TERMINAL, Spark Plug
877	393456		WIRE/CONNECTOR, Alternator -(Dual Circuit)
877D	790544		WIRE/CONNECTOR, Alternator
878	398661		HARNESS, Wiring -(Dual Circuit)
878A	691955		HARNESS, Alternator -(Tri Circuit)
1059	698516		KIT, Screw/Washer
1119	691183		SCREW -(Alternator)
1448	690260		WASHER -(Magneto Armature)

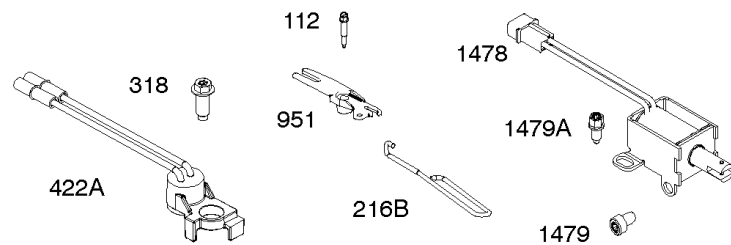
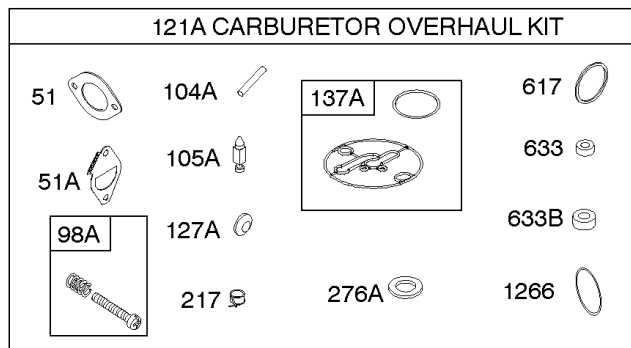
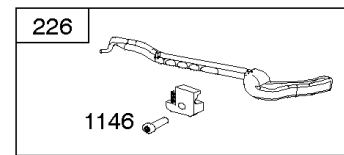
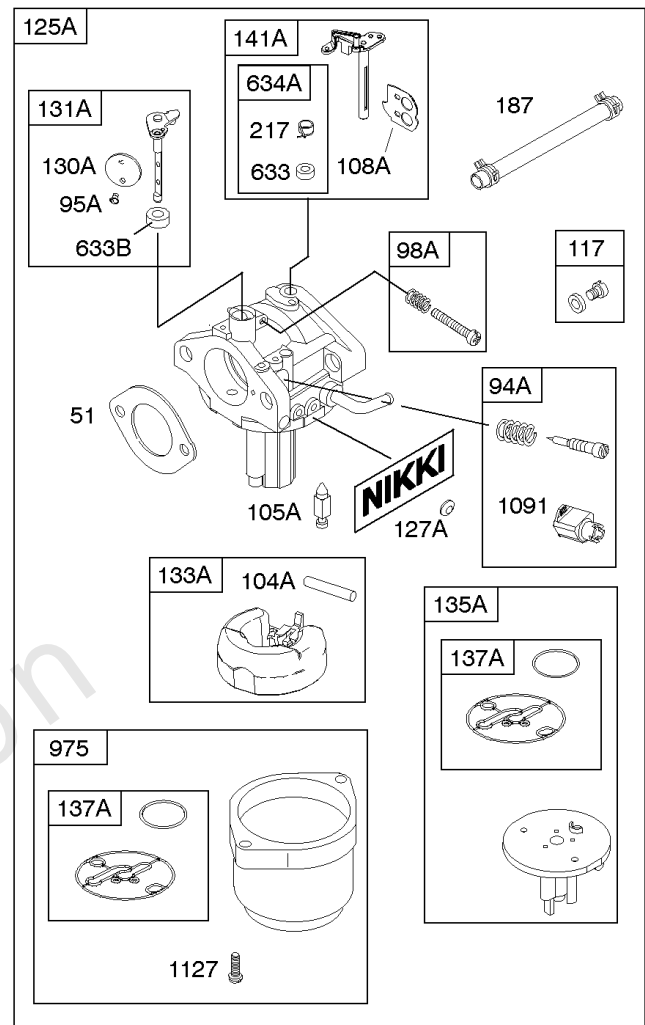
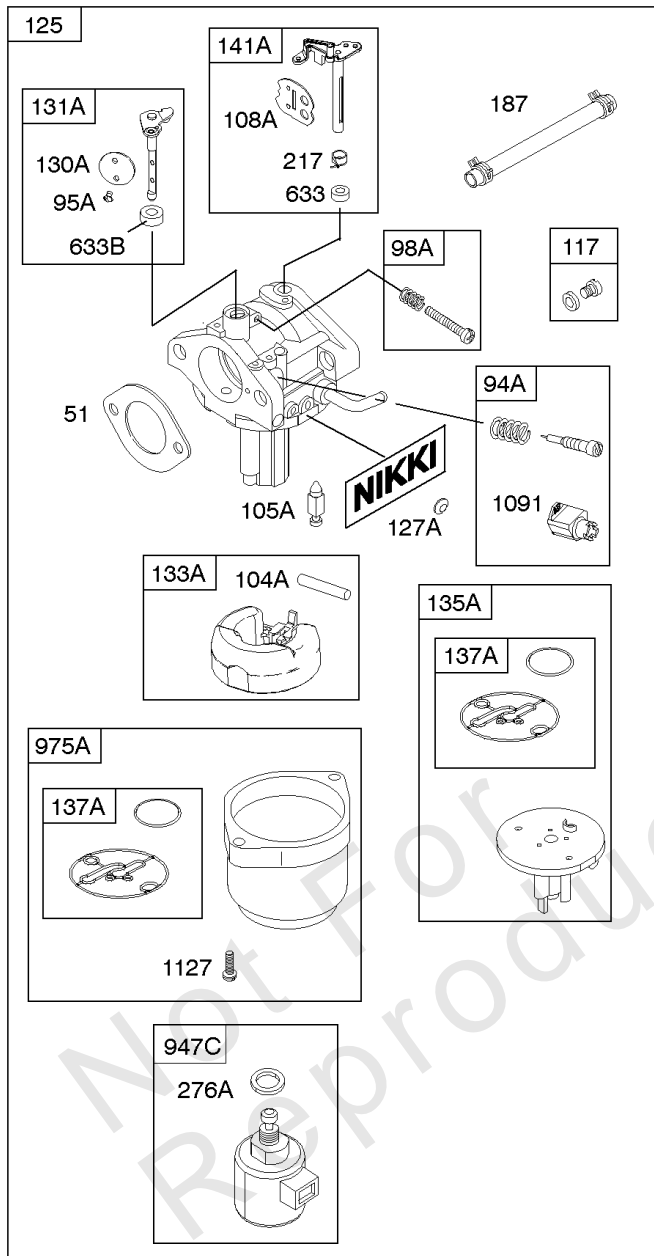
Not For Reproduction





## ***Camshaft, Crankshaft, Counter Weight, Piston, Rings, Connecting Rod***

<b>REF NO</b>	<b>PART NO</b>	<b>QTY</b>	<b>DESCRIPTION</b>
16	593417		CRANKSHAFT
24	591757		KEY, Flywheel
25	595053		PISTON ASSEMBLY -(Standard)
25	595054		PISTON ASSEMBLY -(.020" Oversize)
26	792643		SET, Ring -(.020 Oversize)
26	797011		SET, Ring -(Standard)
27	698469		LOCK, Piston Pin
28	797013		PIN, Piston
29	791633		ROD, Connecting -(Standard)
32	791118		SCREW -(Connecting Rod)
43	691968		SLINGER, Governor/Oil
45	690564		TAPPET, Valve
46	793880		CAMSHAFT
357	691483		KEY, Drive Pulley
377	691639		KEY, Timing
741	697128		GEAR, Timing
757	793242		LINK, Counterweight
758	593418		COUNTERWEIGHT
759	697392		PIN, Counterweight
1270	793243		PLUG, AVS Counterweight



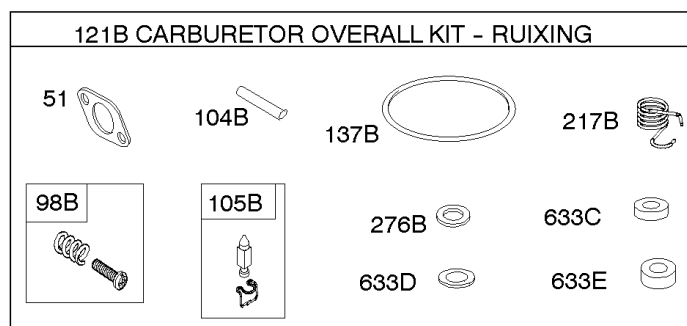
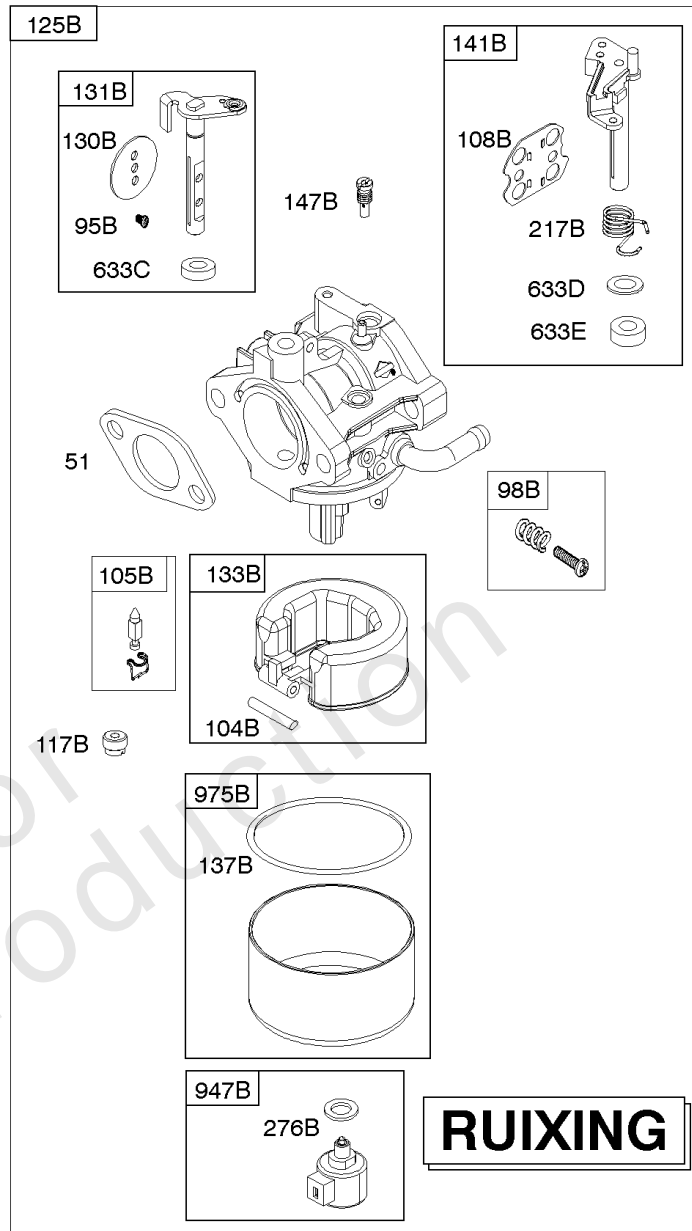
## Carburetor - Nikki

REF NO	PART NO	QTY	DESCRIPTION
51	692137		GASKET, Intake
51A	796081		GASKET, Intake
94A	793610		KIT, Idle Mixture -(Nikki)
95A	690718		SCREW -(Throttle Valve) (Nikki)
98A	695408		KIT, Idle Speed -(Nikki)
104A	694918		PIN, Float Hinge -(Nikki)
105A	696136		VALVE, Float Needle -(Nikki)
108A	698773		VALVE, Choke -(Nikki)
112	593040		SCREW -(Choke Lever) (Ready Start System)
117	791405		JET, Main -(Standard) (Standard)
118	698788		JET, Main -(High Altitude) (5000 Feet)
121A	796184		KIT, Carburetor Overhaul -(Nikki)
125A	590399		CARBURETOR -(Nikki Without Solenoid)
127A	690727		PLUG, Welch -(Nikki)
130A	698774		VALVE, Throttle -(Nikki)
131A	698776		KIT, Throttle Shaft -(Nikki)
133A	694914		FLOAT, Carburetor -(Nikki)
135A	698780		TUBE, Fuel Transfer -(Nikki)(Gravity Feed)(Does Not Include Jet)
137A	698781		GASKET, Float Bowl -(Nikki)
141A	698778		KIT, Choke Shaft -(Nikki)
187	791766		LINE, Fuel -(15" Long)(Cut to Required Length)
216B	593043		LINK, Choke -(Ready Start System)
217	695409		SPRING, Choke Return
226	793386		KIT, Choke Shaft -(Manual Choke)
276A	695410		WASHER, Sealing
318	594384		SCREW -(Mounting Bracket)
422A	593056		SWITCH, Snap -(Ready Start System)
617	692138		SEAL, O-Ring -(Intake Manifold) (TEMP/MAP Sensor) (Intake Manifold)
633	699813		SEAL, Choke/Throttle Shaft -(Nikki)
633B	690998		SEAL, Choke/Throttle Shaft -(Nikki)
634A	698779		SPRING/SEAL ASSEMBLY -(Nikki)
947C	596038		SOLENOID, Fuel

## Carburetor - Nikki

REF NO	PART NO	QTY	DESCRIPTION
951	593039		LEVER, Choke -(Ready Start System)
975	698783		BOWL, Float -(Nikki Without Solenoid)
975A	699502		BOWL, Float -(Nikki With Solenoid)
1091	691333		CAP, Limiter
1127	695407		SCREW -(Float Bowl) (Float Bowl to Carburetor Body)
1146	793380		SCREW -(Choke Shaft) (Manual Choke)
1266	691917		SEAL, O-Ring -(Intake Elbow)
1478	593037		SOLENOID, Choke -(Ready Start System)
1479	593041		SCREW -(Choke Solenoid) (Ready Start System)
1479A	593042		SCREW -(Choke Solenoid) (Ready Start System)

Not For Reproduction

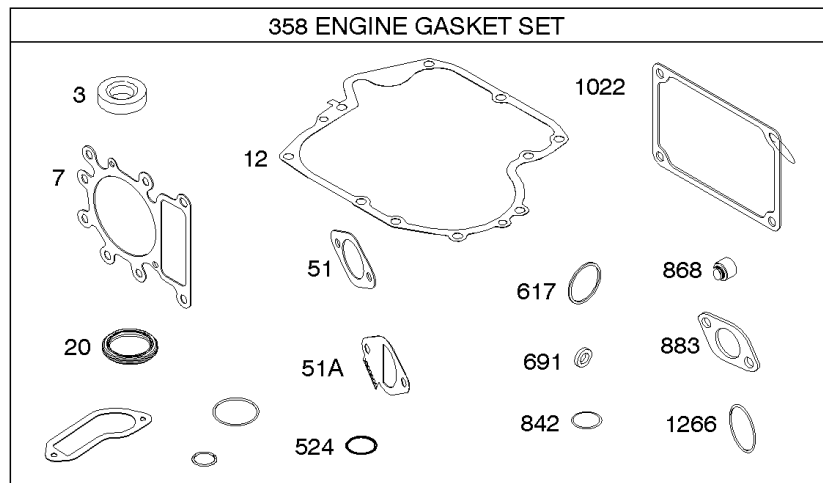
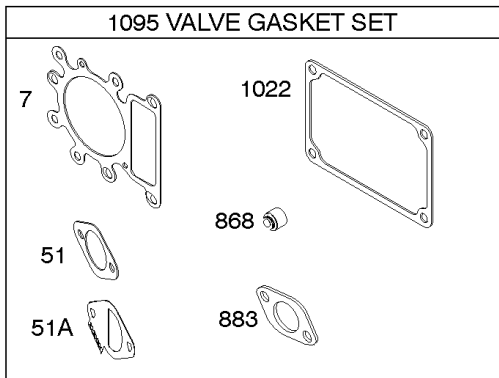
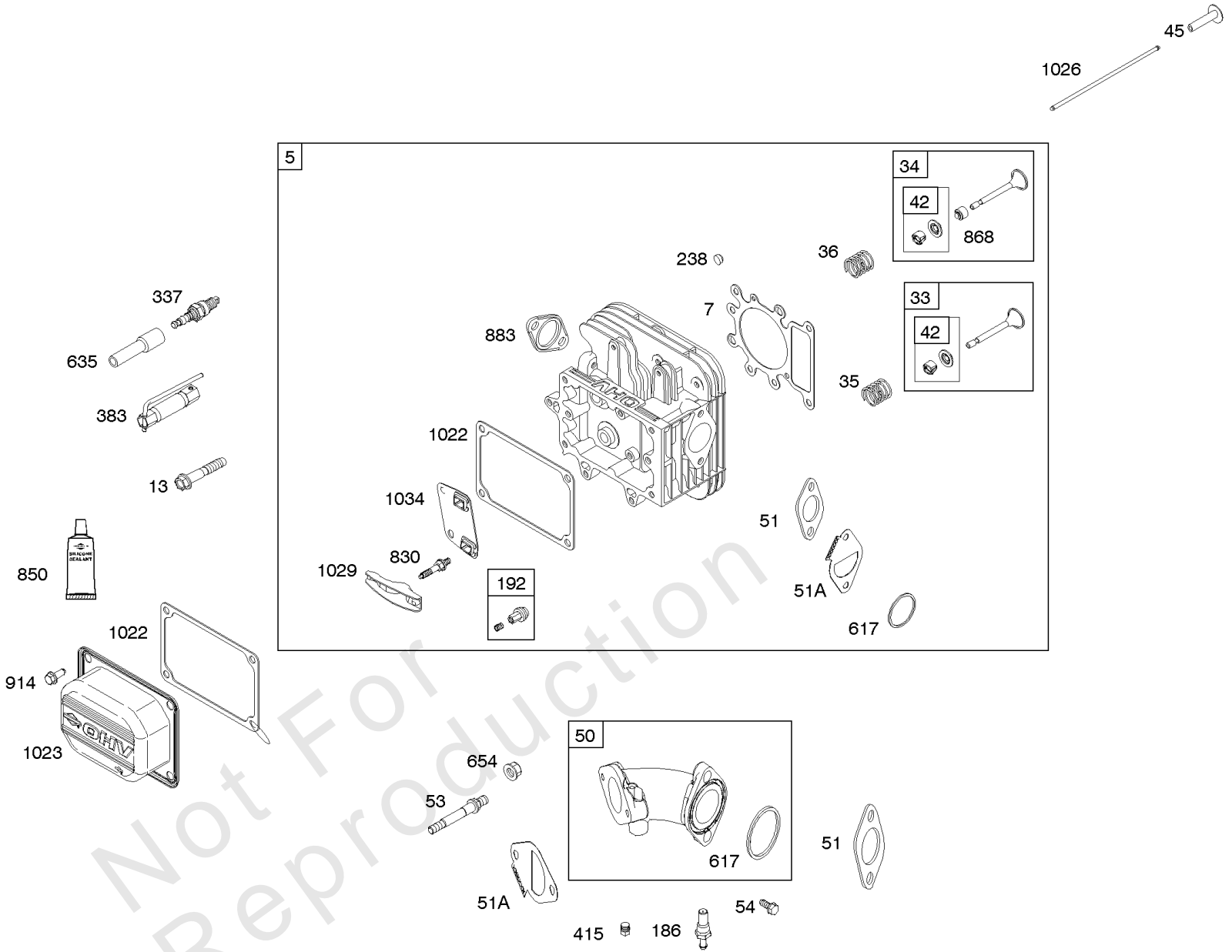


## Carburetor - Ruixing

REF NO	PART NO	QTY	DESCRIPTION
51	692137		GASKET, Intake
95B	593897		SCREW -(Throttle Valve) (Ruixing)
98B	846817		KIT, Idle Speed -(Ruixing)
104B	594860		PIN, Float Hinge -(Ruixing)
105B	594868		VALVE, Float Needle -(Ruixing)
108B	594863		VALVE, Choke -(Ruixing)
121B	594886		KIT, Carburetor Overhaul -(Ruixing)
130B	594858		VALVE, Throttle -(Ruixing)
131B	594856		KIT, Throttle Shaft -(Ruixing)
133B	594859		FLOAT, Carburetor -(Ruixing)
137B	594861		GASKET, Float Bowl -(Ruixing)
141B	594862		KIT, Choke Shaft -(Ruixing)
147B	594872		JET, Pilot -(Ruixing)
217B	594864		SPRING, Choke Return -(Ruixing)
276B	846640		WASHER, Sealing -(Ruixing)
633C	594866		SEAL, Choke/Throttle Shaft -(Ruixing)
633E	797629		SEAL, Choke/Throttle Shaft -(Ruixing)
633D	594865		SEAL, Choke/Throttle Shaft -(Ruixing)
947B	846639		SOLENOID, Fuel -(Ruixing)
975B	594867		BOWL, Float -(Ruixing)

# Cylinder Head, Gasket Set - Engine, Gasket Set - Valve, Intake Manifold, Valves

Mfg. No: 21R707-0005-B1



## Cylinder Head, Gasket Set - Engine, Gasket Set - Valve, Intake Manifold, Valves

REF NO	PART NO	QTY	DESCRIPTION
3	391086S		SEAL, Oil -(Magneto Side)
5	796183		HEAD, Cylinder
7	273280S		GASKET, Cylinder Head
12	697110		GASKET, Crankcase -(.015" Thick)(Standard)
13	690360		SCREW -(Cylinder Head)
20	795387		SEAL, Oil -(PTO Side)
33	792868		VALVE, Exhaust -(Chrome)
34	791935		VALVE, Intake
35	691279		SPRING, Valve -(Intake)
36	691279		SPRING, Valve -(Exhaust)
42	499586		KEEPER, Valve
45	690564		TAPPET, Valve
50	592845		MANIFOLD, Intake
51	692137		GASKET, Intake
51A	796081		GASKET, Intake
53	591260		STUD -(Carburetor)
54	691148		SCREW -(Intake Manifold)
186	794873		CONNECTOR, Hose -(TEMP/MAP Sensor) (Intake Manifold)
192	691986		ADJUSTER, Rocker Arm
238	691843		CAP, Valve
337	792015		PLUG, Spark -(Resistor EMS)
337	491055S		PLUG, Spark -(Resistor)
337	691043		PLUG, Spark -(EMS)
358	796181		GASKET SET, Engine
383	19576S		WRENCH, Spark Plug
415	794903		PLUG -(TEMP/MAP Sensor) (Intake Manifold)
524	691032		SEAL, O-Ring
617	692138		SEAL, O-Ring -(Intake Manifold) (TEMP/MAP Sensor) (Intake Manifold)
635	691909		BOOT, Spark Plug
654	690958		NUT -(Carburetor)
691	692407		SEAL, Governor Shaft
830	691095		STUD, Rocker Arm
842	691031		SEAL, O-Ring -(Dipstick Tube)
850	100106		SEALANT, Liquid -(Rocker Cover Gasket and Breather Gasket)
868	690968		SEAL, Valve
883	692236		GASKET, Exhaust
914	691108		SCREW -(Rocker Cover)
1022	272475S		GASKET, Rocker Cover



## ***Cylinder Head, Gasket Set - Engine, Gasket Set - Valve, Intake Manifold, Valves***

<b>REF NO</b>	<b>PART NO</b>	<b>QTY</b>	<b>DESCRIPTION</b>
1023	797421		COVER, Rocker
1026	794573		ROD, Push -(Exhaust)
1026	697394		ROD, Push -(Intake)
1029	691751		ARM, Rocker
1034	690822		GUIDE, Push Rod
1095	796189		GASKET SET, Valve
1266	691917		SEAL, O-Ring -(Intake Elbow)

Not For Reproduction

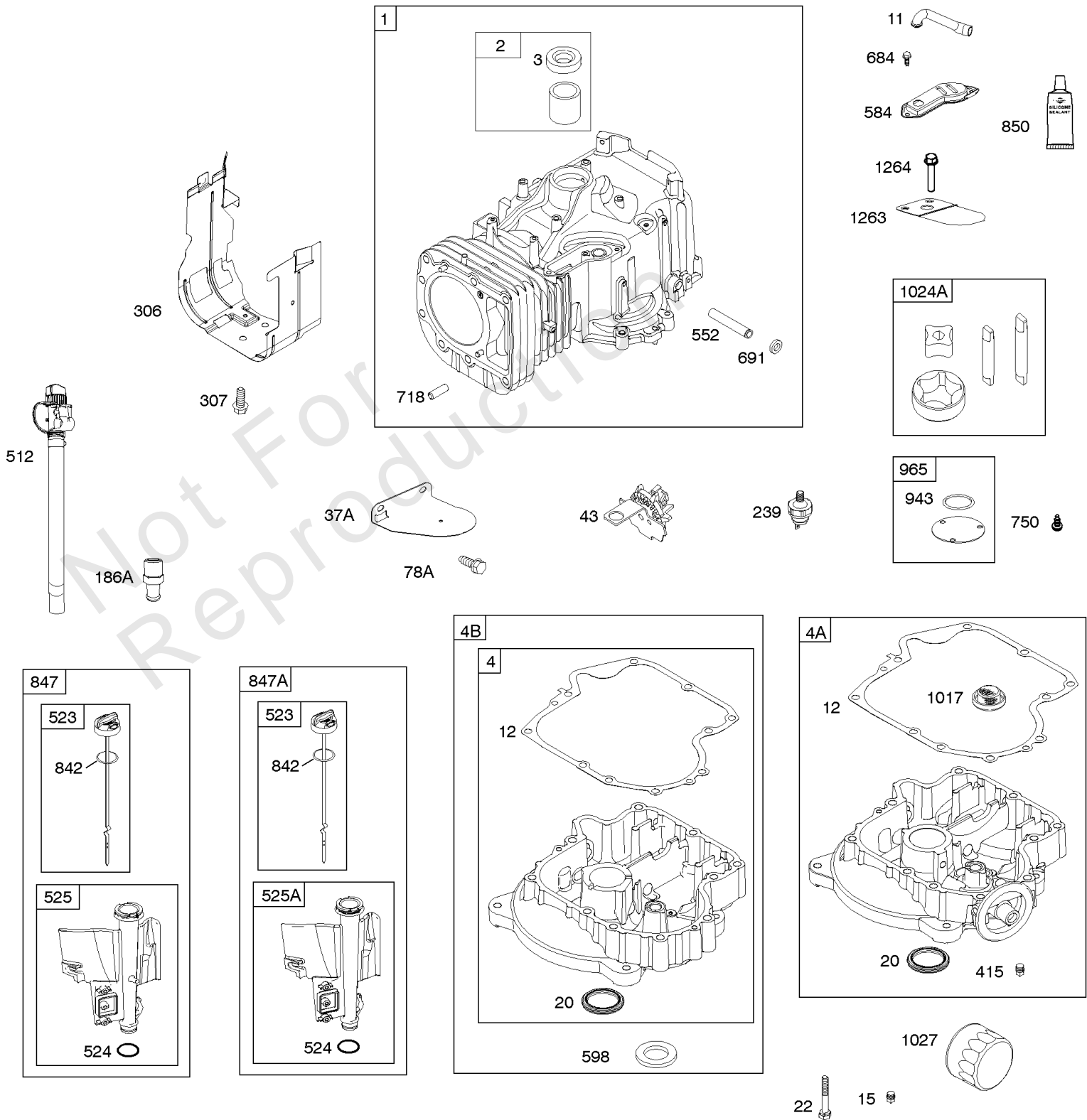
**1319 WARNING LABEL**

**REQUIRED** when replacing parts with warning labels affixed.

**1319A WARNING LABEL**

**REQUIRED** when replacing parts with warning labels affixed.

**1036 EMISSIONS LABEL**



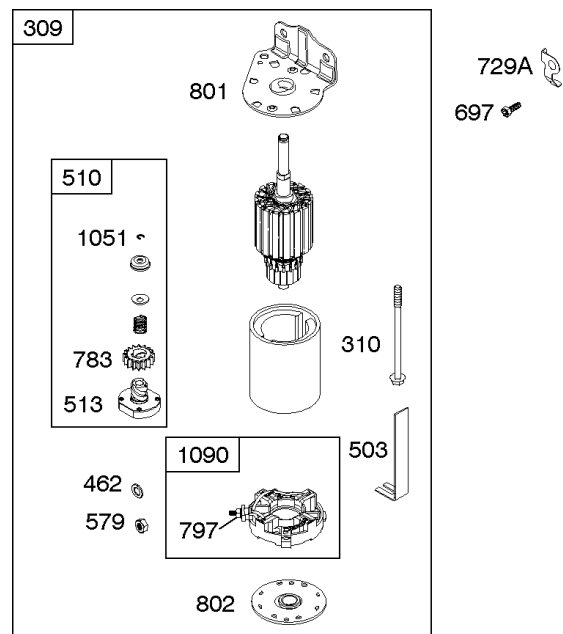
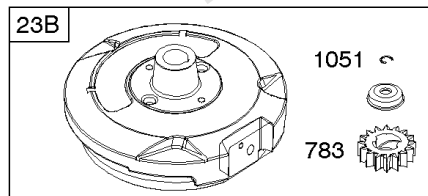
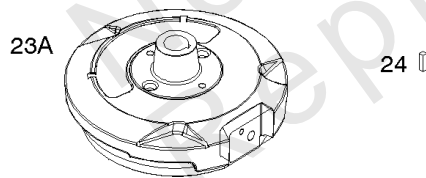
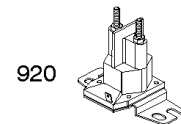
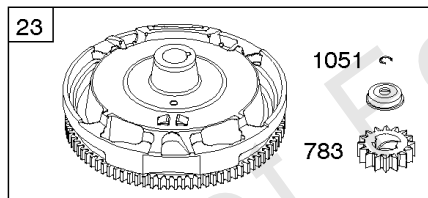
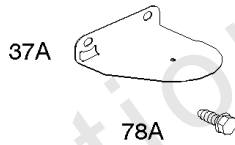
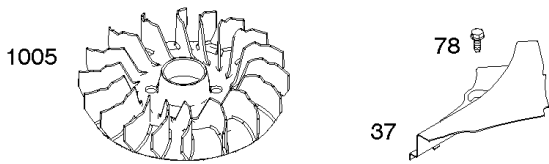
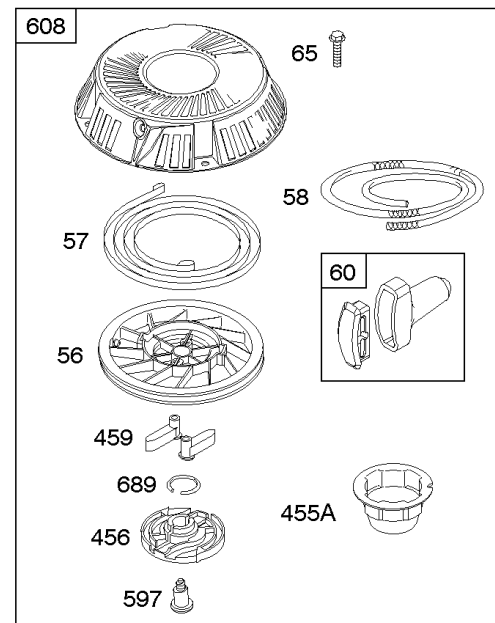
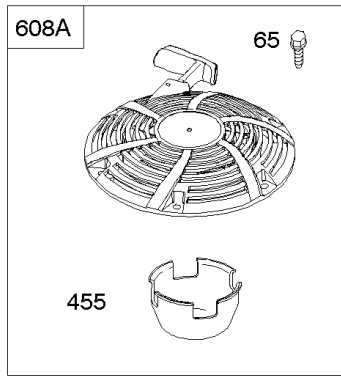
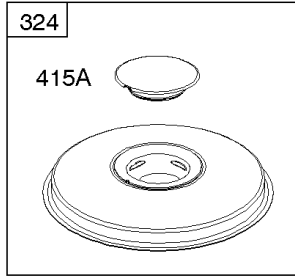
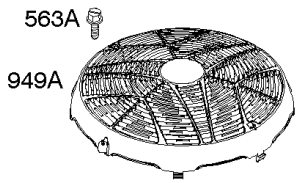
## Cylinder, Engine Sump, Lubrication, Oil Fill

REF NO	PART NO	QTY	DESCRIPTION
1	697377		CYLINDER ASSEMBLY
2	797673		KIT, Bushing/Seal -(Magneto Side)
3	391086S		SEAL, Oil -(Magneto Side)
4	697106		SUMP, Engine
11	794683		TUBE, Breather
12	697110		GASKET, Crankcase -(.015" Thick)(Standard)
15	690946		PLUG, Oil Drain -(3/8" Standard)
20	795387		SEAL, Oil -(PTO Side)
22	692125		SCREW -(Crankcase Cover/Sump)
37A	697626		GUARD, Flywheel
43	691968		SLINGER, Governor/Oil
78A	690364		SCREW -(Flywheel Guard)
186A	796532		CONNECTOR, Hose
239	694115		SWITCH, Oil Pressure
306	592778		SHIELD, Cylinder
307	691693		SCREW -(Cylinder Shield)
415	794903		PLUG -(TEMP/MAP Sensor) (Intake Manifold)
512	594200		HOSE, Oil Drain
523	699908		DIPSTICK
524	691032		SEAL, O-Ring
525	697085		TUBE, Dipstick -(With Side Tube Connector)
525A	697184		TUBE, Dipstick -(Standard Dipstick Tube)
552	697144		BUSHING, Governor Crank
584	794682		COVER, Breather Passage -(Use with Liquid Sealant Reference 850)
598	799739		SHIM, End Play -(Crankshaft or Camshaft Bearing)
684	697157		SCREW -(Breather Passage Cover)
691	692407		SEAL, Governor Shaft
718	690959		PIN, Locating
750	790832		SCREW -(Oil Pump Cover)
842	691031		SEAL, O-Ring -(Dipstick Tube)
847	790443		DIPSTICK/TUBE ASSEMBLY -(With Side Tube Connector)
847A	790442		DIPSTICK/TUBE ASSEMBLY -(Standard Dipstick Tube)
850	100106		SEALANT, Liquid -(Rocker Cover Gasket and Breather Gasket)
943	690589		SEAL, O-Ring -(Oil Pump Cover)
965	499613		COVER, Oil Pump
1017	796981		SCREEN, Oil Pump
1024A	794644		SHAFT, Pump

## Cylinder, Engine Sump, Lubrication, Oil Fill

REF NO	PART NO	QTY	DESCRIPTION
1027	798576		FILTER, Oil -(Premium)(Orange)
1027	492932S		FILTER, Oil -(Standard)(Black)
1036	-----		Label-Emissions -(Available From A Briggs & Stratton Authorized Dealer)
1263	697124		REED, Breather
1264	697104		SCREW -(Breather Reed)
1319	794467		LABEL, Warning
1319A	797669		LABEL, Warning -(International)

Not For Reproduction



## Electric & Rewind Starter, Flywheel

REF NO	PART NO	QTY	DESCRIPTION
23	591759		FLYWHEEL
24	591757		KEY, Flywheel
37	697352		GUARD, Flywheel
37A	697626		GUARD, Flywheel
56	695129		PULLEY, Starter
57	695131		SPRING, Rewind Starter
58	695132		ROPE, Starter
60	490652		HANDLE, Starter Rope
65	690940		SCREW -(Rewind Starter)
78	691693		SCREW -(Flywheel Guard)
78A	690364		SCREW -(Flywheel Guard)
309	593934		MOTOR, Starter
310	690323		BOLT -(Starter Motor)
324	593933		SCREEN/CUP ASSEMBLY
363	19203		PULLER, Flywheel
415A	794129		COVER, Flywheel -(Cover/Retainer)
455A	796615		CUP, Flywheel -(Non Washable)
456	695128		PLATE, Pawl Friction
459	281505S		PAWL, Ratchet
462	691261		WASHER -(Starter Cable)
503	691532		STRAP, Starter
510	693699		DRIVE, Starter
513	692024		CLUTCH, Drive
563A	799359		SCREW -(Debris Screen Guard)
579	691029		NUT -(Starter Cable)
597	691696		SCREW -(Pawl Friction Plate)
608A	591606		STARTER, Rewind
689	691855		SPRING, Friction
697	791680		SCREW -(Starter Motor) (Drive Cap)
729A	691224		CLIP, Wire -(Starter Motor)
783	593935		GEAR, Pinion
797	693167		NUT -(Brush Retainer)
801	691283		CAP, Drive
802	691286		CAP, End
949A	799358		GUARD, Debris Screen
1005	796082		FAN, Flywheel
1044	698139		SCREW -(Flywheel)
1051	691265		RING, Retaining
1090	691293		RETAINER, Brush

