



SERVICE PARTS LIST

BULLETIN NO.
54-06-2120

SPECIFY CATALOG NO. AND SERIAL NO. WHEN ORDERING PARTS		REVISED BULLETIN	DATE
M18™ UTILITY BUCKET LIGHT			May 2018
CATALOG NO.	2122-20	STARTING SERIAL NO.	H72A
WIRING INSTRUCTION			

EXAMPLE:

00	0
----	---

 Component Parts (Small #) Are Included
 When Ordering The Assembly (Large #).

NOTE:
 Model 2122-20 M18™ UTILITY BUCKET LIGHT (Serial Break 'A') is designed to operate off of several different M18 REDLITHIUM™ battery sizes from a 1.5 amp-hours to 9.0 amp-hours.
 To power a 2122-20 M18™ UTILITY BUCKET LIGHT (Serial Break 'A') with a 48-11-1812 M18™ REDLITHIUM™ 12.0 amp-hour battery, **12.0 Upgrade Service Kit 14-46-0077** must be ordered to accommodate the larger size battery.

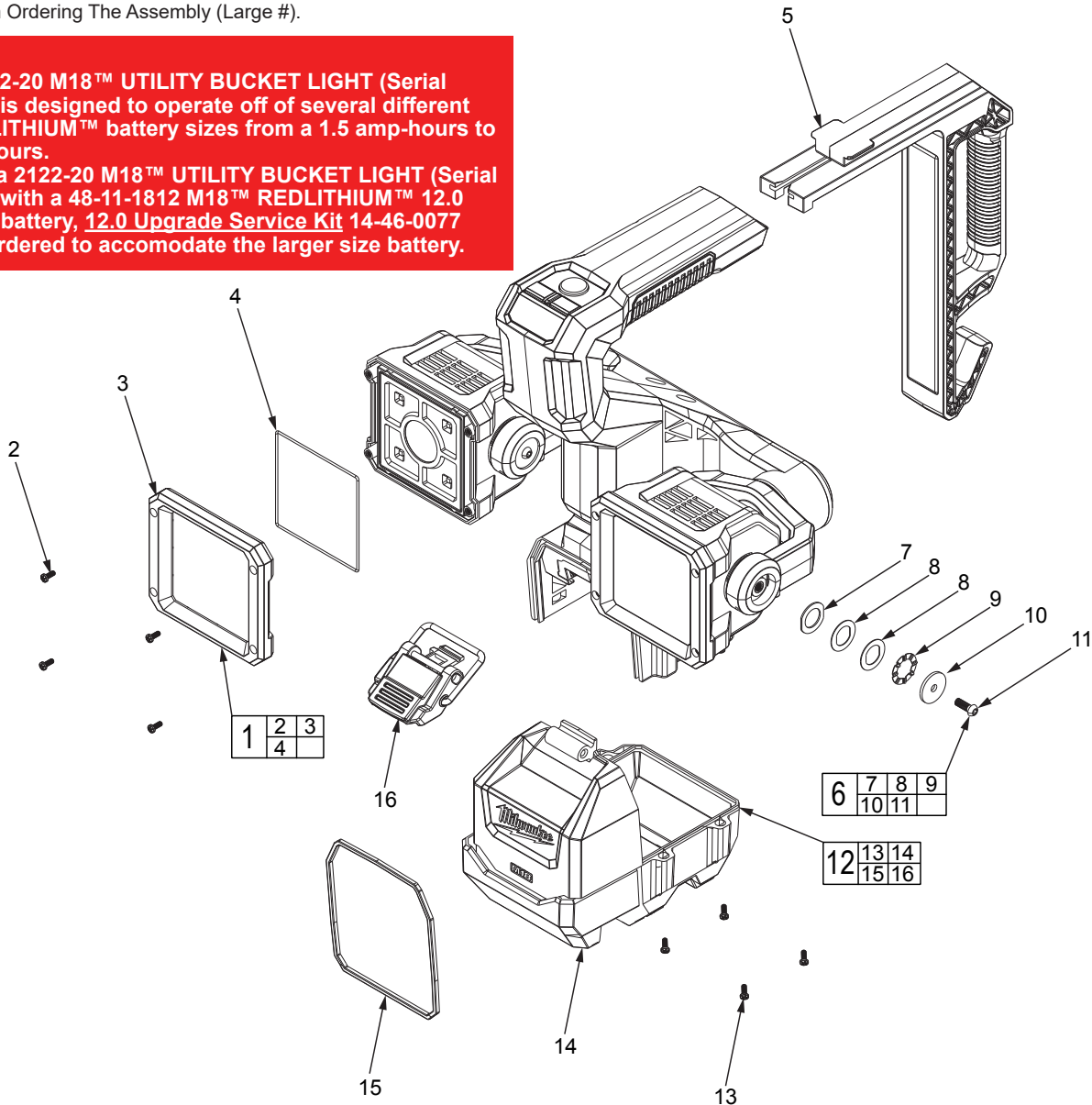


FIG.	PART NO.	DESCRIPTION OF PART	NO. REQ.
1	44-06-0185	Lens Kit (One per side)	(2)
2	-----	M3 x 8 Screw (Four per side)	(8)
3	-----	Lens w/ Bracket (One per side)	(2)
4	-----	Lens Gasket (One per side)	(2)
5	14-34-0210	Handle Kit	(1)
6	45-88-1835	Washer Kit (One per side)	(2)
7	-----	Washer A (One per side)	(2)
8	-----	Washer B (Two per side)	(4)
9	-----	Washer C (One per side)	(2)
10	-----	Washer D (One per side)	(2)
11	-----	M5 x 12 Screw (One per side)	(2)
12	31-21-0115	Battery Door Kit	(1)
13	-----	M5 x 16 Screw	(4)
14	-----	Battery Door	(1)

FIG.	PART NO.	DESCRIPTION OF PART	NO. REQ.
15	43-44-0095	Battery Door Gasket	(1)
16	42-68-0065	Buckle Kit	(1)
17	42-55-2122	Light Bag (Not Shown)	(1)
18	12-20-2122	Service Nameplate (Not Shown)	(1)

FIG. NOTES
 18 A clean, dry surface is essential for proper performance for any adhesive system. The area intended for application of any adhesive label or nameplate must be prepared by cleaning with isopropyl alcohol. The solvent is to be applied with a clean, lint free applicator and the surface allowed to dry before applying the label or nameplate.