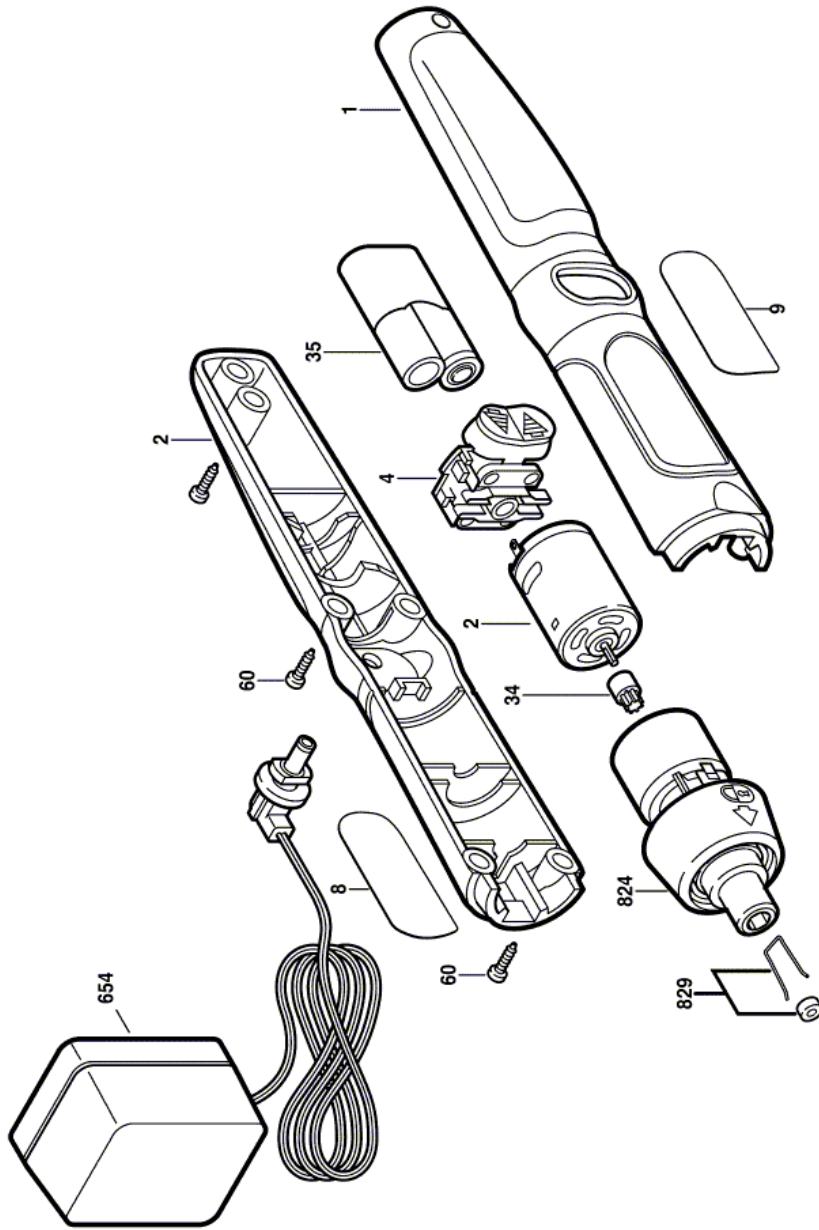


03.08.2015 |

## Batt-Oper Screwdriver - F 012 210 601 - 2106

Item	Part Number	Description	Illustration	Price	Quantity	Price Group
1	2 610 993 300	Housing	1	-,-	1	-
2	2 610 352 716	Motor 2,4-3,6V	1	-,-	1	22
4	2 610 993 306	Switch	1	-,-	1	21
8	2 610 993 091	Nameplate	1	-,-	1	-
9	2 610 993 092	Adhesive Label	1	-,-	1	-
34	2 610 993 305	Pinion	1	-,-	1	10
35	2 610 993 310	Accumulator Battery 2,4V	1	-,-	1	22
60	2 610 347 948	Screw	1	-,-	5	11
654	2 610 993 317	Battery Charger USA 120/2,4V, 5h	1	-,-	1	-
824	2 610 991 239	Planetary Gear Train	1	-,-	1	27
829	2 610 354 744	Holding Spring	1	-,-	1	19

Illustration - Type E



F012 210 600  
Issue 01-06-07  
Stand

**Fig./Abb. 1**

Modifications reserved  
Änderungen vorbehalten  
Modificaciones reservadas  
Salvo modificaciones

Information subject to change without further notice.