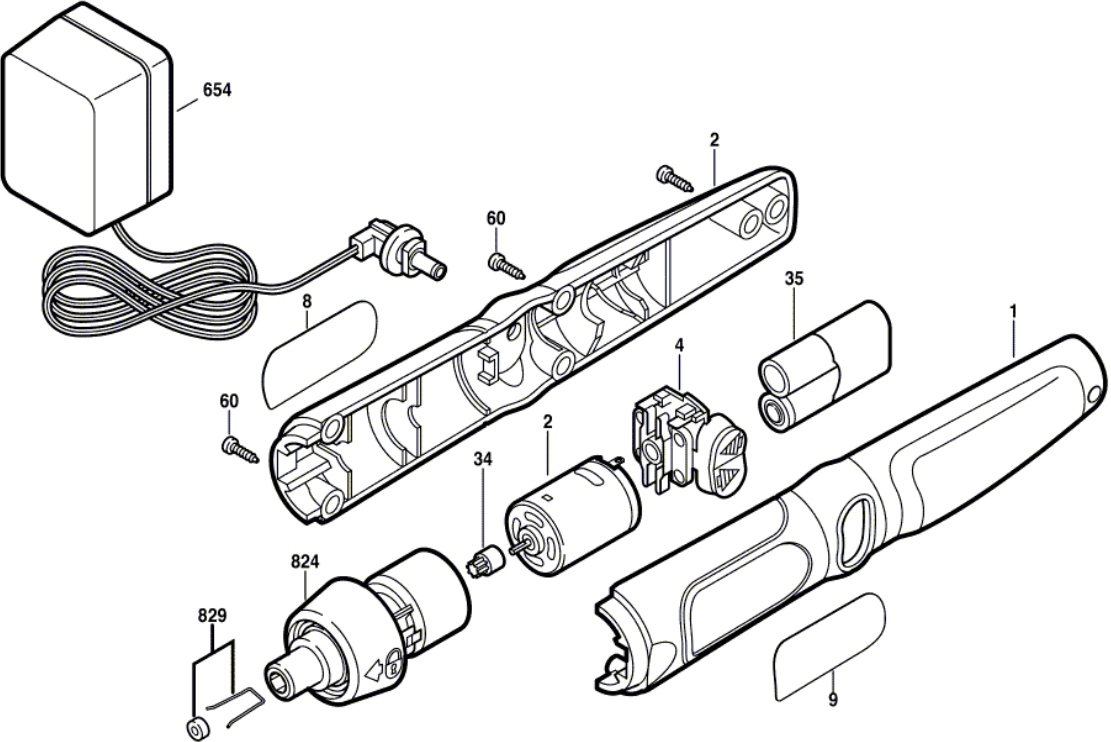


F012 210 600
Issue | 01-06-07
Stand | **Fig./Abb. 1**



Modifications reserved
Änderungen vorbehalten
Modifications réservées
Salvo modificaciones

Pos.	Part Number	Description	Pos.	Part Number	Description
1	2 610 993 300	Housing			
2	2 610 352 716	Motor			
4	2 610 993 306	Switch			
8	2 610 993 091	Nameplate			
9	2 610 993 092	Adhesive Label			
34	2 610 993 305	Pinion			
35	2 610 993 310	Accumulator Battery			
60	2 610 347 948	Screw			
654	2 610 993 317	Battery Charger			
824	2 610 991 239	Planetary Gear Train			
829	2 610 354 744	Holding Spring			