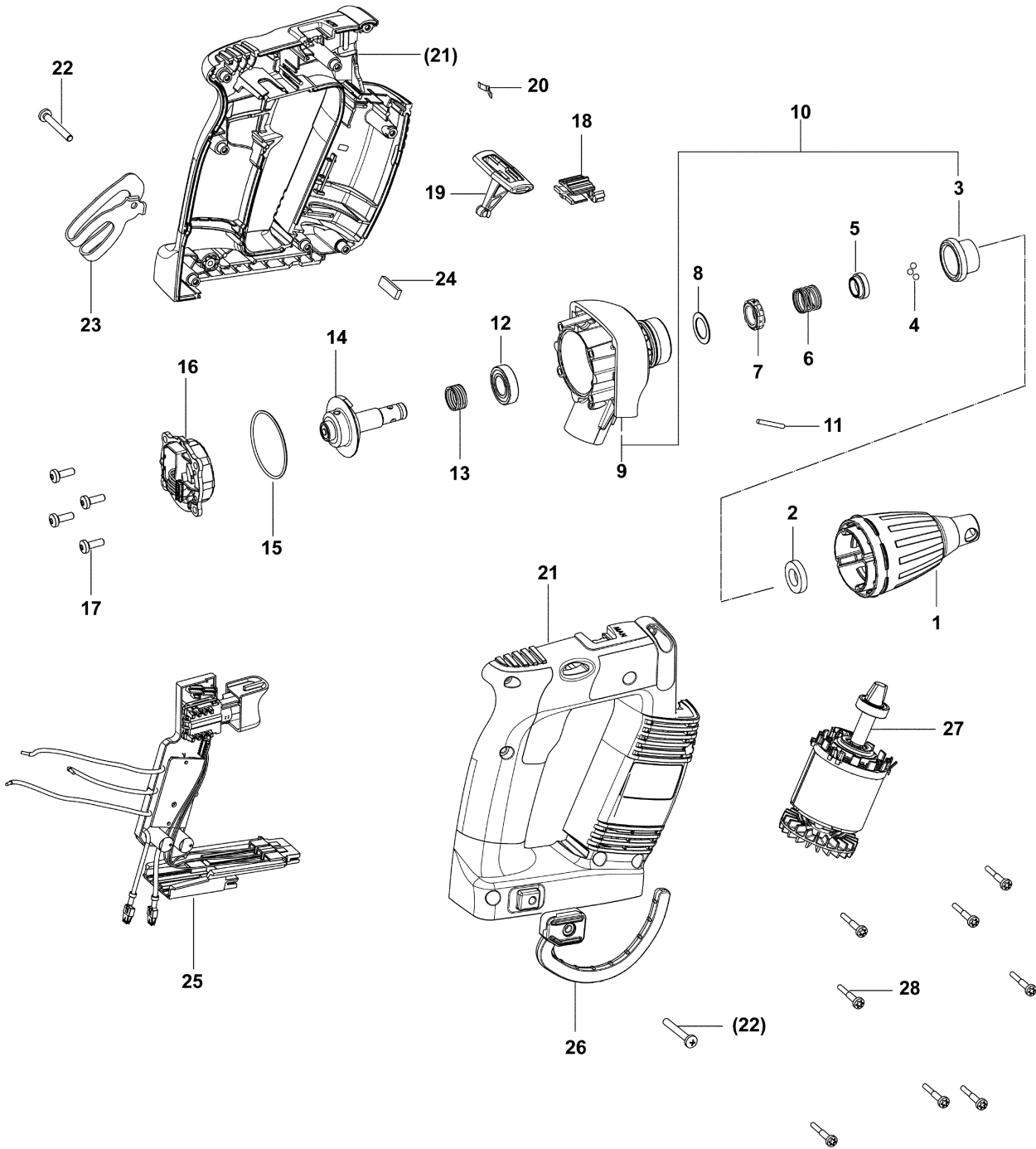


205053 - DWC 18-4500



<b>Pos</b>	<b>Part No.</b>	<b>Description</b>	<b>Quantity</b>
1	767822	Depth stop	1
2	473231	Felt washer	1
3	477767	Sleeve	1
4	614484	Ball	3
5	477092	Sleeve	1
6	472940	Spring	1
7	496827	Felt washer	1
8	761529	Compensating washer	1
9	767818	Gear housing	1
10	769372	Gear housing	1
11	478178	Cylinder pin	1
12	477292	Ball bearing	1
13	476613	Pressure spring	1
14	767846	Output shaft	1
15	761594	O-ring	1
16	767845	Electronic	1
17	400647	Raised-head screw M4 x 12	4
18	767836	Slide	1
19	767835	Despatcher	1
20	457753	Plate spring	1
21	767918	Housing	1
22	701232	Raised-head screw	2
23	475437	Clamp	1
24	475515	Solenoid	1
25	720934	Electronic	1
26	767838	Hook	1
27	705551	Motor	1
28	473901	Raised-head screw 3,5 x 22 mm	8
29	203850	Gear	1