



# SERVICE PARTS LIST

BUL. 54-12-4010

7/8" ELECTRIC DRILL

REVISED BUL. 668-1 DATE FEB. '68

MODEL NO. K-783

Starting Serial No. 68-1001

WIRING INSTR.

Both Model and Serial No. must be furnished to obtain correct parts.

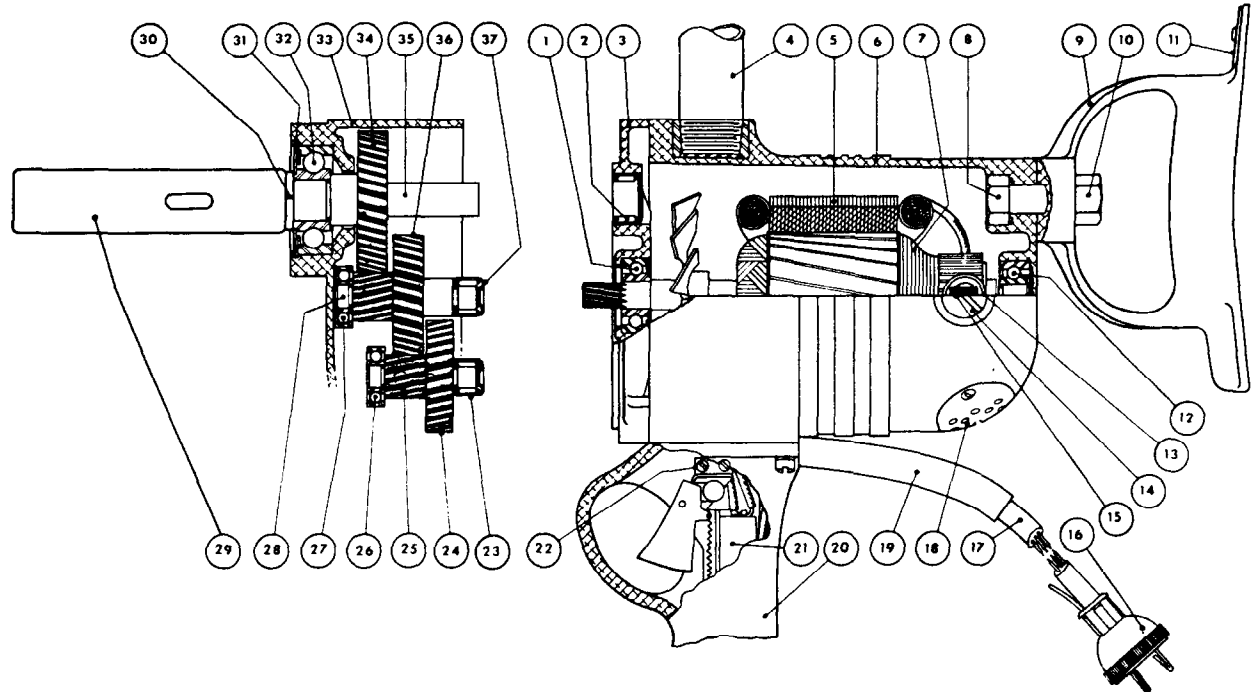


Fig.	Part No.	Name of Part
1	WC8011	Armature Ball Brg.(Pinion End)
2	MH-1081	Spindle Needle Bearing
3	3D-2	Diaphragm
4	88D-43	Pipe Handle
5	23C-700A	Field Assembly
6	23D-1	Motor Housing
7	3D-600	Armature Assembly
8	1/2"-13x1-1/2"	Spade Handle Bolt (Hex Hd.)
9	88D1-3A	Spade Handle
10	1/2"-13	Spade Handle Jam Nut
11	88D1-6	Spade Handle Key Clip
12	ND8500	Armature Ball Brg. (Comm.End)
13	88D-320	Brush Holder Assembly
14	88D-400	Brush Retaining Screw Ass'y.
15	88D-370	Carbon Brush Assemblies(set 2)
16	2 Prong	Attachment Plug
17	S#16-3	Cord (3-Wire) (per ft.)
18	23D-41	Air Intake Cover Plate
19	88D-48	Cord Protector Tube

Fig.	Part No.	Name of Part
20	88D1-1A	Switch Handle
21	CH8636K1	Switch
22	88D-23	Switch Bracket
23	MH681	1st Inter. Shaft Needle Brg.
24	89D-14	1st Inter. Gear
25	3D-131	1st Inter. Pinion Shaft
26	ND7039	1st Inter. Shaft Ball Brg.
27	ND7039	2nd Inter. Shaft Ball Brg.
28	3D-132	2nd Inter. Pinion Shaft
29	#2	Morse Taper Socket
30	88D-16	Chuck Washer
31	RR-185	Spindle Ball Brg. Retg. Ring
32	ND8603	Spindle Ball Bearing
33	3D-3	Gear Case
34	78K-11	Spindle Gear
35	3D-8	Spindle
36	78K-11	2nd Intermediate Gear
37	MH681	2nd Intermediate Shaft Needle Brg.

MISCELLANEOUS PARTS (NOT SHOWN)

Size or Part No.	Description of Part	Size or Part No.	Description of Part
K-783	Name Plate	1/4"-20x1/2" H'dless	Brush Holder Set Screws(2)
#2	Drift	5-32x1/4" Rd. Hd.	Brass Ground Wire Screws(2)
#4x5/16"Driv-In	Spade Handle Key Clip Screw(2)	#8	Kantlink Lock Washers(2)
6-32x1/4" Rd.Hd.	Switch Mounting Screws(2)	#14	Kantlink Lock Washers(10)
6-32x1/4"Fil.Hd.	Switch Bracket Screws(2)	#2	Woodruff Key(1)
#4x5/16"Driv-In	Name Plate Screws(2)	#3	Woodruff Keys(2)
#6x1/4" P. K.	Air Intake Plate Screws(2)	1/2" Cap.	Chuck (5/8-16 Thread)
1/4"-20x1/4"Fil.Hd.	Gear Case Screws(2)	5/8" Cap.	Chuck (5/8-16 Thread)
1/4"-20x1-3/4"Fil.Hd.	Gear Case Screws(2)	3/4" Cap.	Chuck (5/8-16 Thread)
8-32x2-1/2" Rd.Hd.	Field Screws(2)	1/2" & 5/8"	Chuck Key
1/4-20x3/4"Fil.Hd.	Switch Handle Screws(4)	3/4"	Chuck Key

Prices are subject to change without notice