



BOSCH

Angle Grinder

1974-8 | 3 601 H90 N13

Table of Content

Spare parts list.....	2
Illustration - Type.....	4

Angle Grinder | 1974-8 | 3 601 H90 N13

Spare parts list

Item	Part Number	Description	Illustration
1	1 605 108 264	Motor Housing BLUE	1
5	1 604 460 133	Power supply cord USA/CDN 2,15m 2 x 2,08mm SJ 14/2	1
6	1 600 703 036	Grommet Ø10,5-Ø11,0x100 MM	1
7	1 601 302 018	Fastening Clamp	1
9	1 601 118 R97	Manufacturer's nameplate 1974-8	1
13	1 600 905 034	groove ball bearing 9x26x8	1
14	1 600 905 035	groove ball bearing 12x37x12	1
23	1 605 500 266	Cover BLACK	1
24	1 605 132 19J	Handle	1
28	1 600 210 033	O-Ring 79,0x1,78 MM	1
29	1 600 210 045	O-Ring 8,0x1,0 MM	1
30	1 600 591 041	Air Distributor	1
31	1 600 591 05U	Air-Deflector Ring	1
32	1 600 290 019	Retaining snap ring	1
33	1 600 290 064	Rotary shaft lip seal 16 MM BLUE	1
34	1 600 190 020	Shim 0,15 MM THICK	1
34	1 600 190 021	Shim 0,3 MM THICK	1
34	1 600 190 022	Shim 0,1 MM THICK	1
34	1 600 190 037	Shim 0,2 MM THICK	1
34	1 600 190 038	Shim 0,25 MM THICK	1
34	1 600 190 039	Shim 0,35 MM THICK	1
34	1 600 190 040	Shim 0,4 MM THICK	1
35	1 600 205 034	Felt Washer	1
37	1 618 B00 903	Seal Ring	1
38	1 600 206 037	Rubber Ring	1
43	1 605 500 264	Sealing cap BLACK	1
44	1 605 500 265	Sealing cap BLACK	1
45	1 603 300 019	Hex Nut M10, SW14	1
50	1 602 388 036	Cable routing	1
51	1 600 200 031	Plain bearing Ø14 MM	1
53	1 605 190 068	Socket Housing	1
60	1 603 435 076	Thread-forming tap. Screw	1
61	1 603 490 005	Torx Oval-Head Screw	1
63	1 603 410 014	Pan head screw M4x10 MM	1

Spare parts list

Item	Part Number	Description	Illustration
64	2 603 490 021	Torx Oval-Head Screw 4x12	1
65	2 603 490 023	Torx Oval-Head Screw 4x20	1
66	2 910 211 019	Tapping Screw DIN 7971-ST3,9x16-F	1
68	1 601 006 011	Sealing Plate	1
69	2 916 650 905	Spring retaining ring	1
75	1 600 290 060	Damper	1
76	1 603 414 025	Collar Screw	1
78	1 619 P09 476	O-Ring	1
79	1 600 A01 KK9	Locking Washer	1
131	1 601 118 R92	Manufacturer's nameplate	1
802	1 600 A01 ZG6	Field assembly	1
803	1 604 010 BG9	Armature	1
804	1 607 000 704	On-Off Switch	1
808	1 601 11A 9YG	Nameplate	1
810	1 607 014 194	Carbon-Brush Set	1
816	1 604 336 053	Brush Holder	1
821	1 607 000 C17	Gear Housing	1
822	1 607 000 CP1	Bearing Flange	1
825	1 607 000 CU6	Grinding Spindle	1
826	1 600 A02 4YV	Bevel Gear Set	1
835	1 606 610 150	Fan	1
840	1 607 000 431	Push-Button	1
846	1 607 000 432	Retaining Washer	1
848	1 600 119 010	Spring retaining ring	1
850	1 600 905 026	groove ball bearing 17x40x12	1
851	2 600 910 001	Needle-Roller Bearing Ø14 MM	1
651	1 605 510 410	Protective Cover 7"	2
660	1 602 025 051	Auxiliary Handle M14 BLACK	2
891	1 602 025 0A1	Auxiliary Handle	2
892	1 607 950 062	Pin-Type Face-Wrench	2
893	3 603 340 501	Clamping-Flange 5/8"-FL+B	2
894	3 603 340 503	Round Nut 5/8"	2

Illustration - Type - E

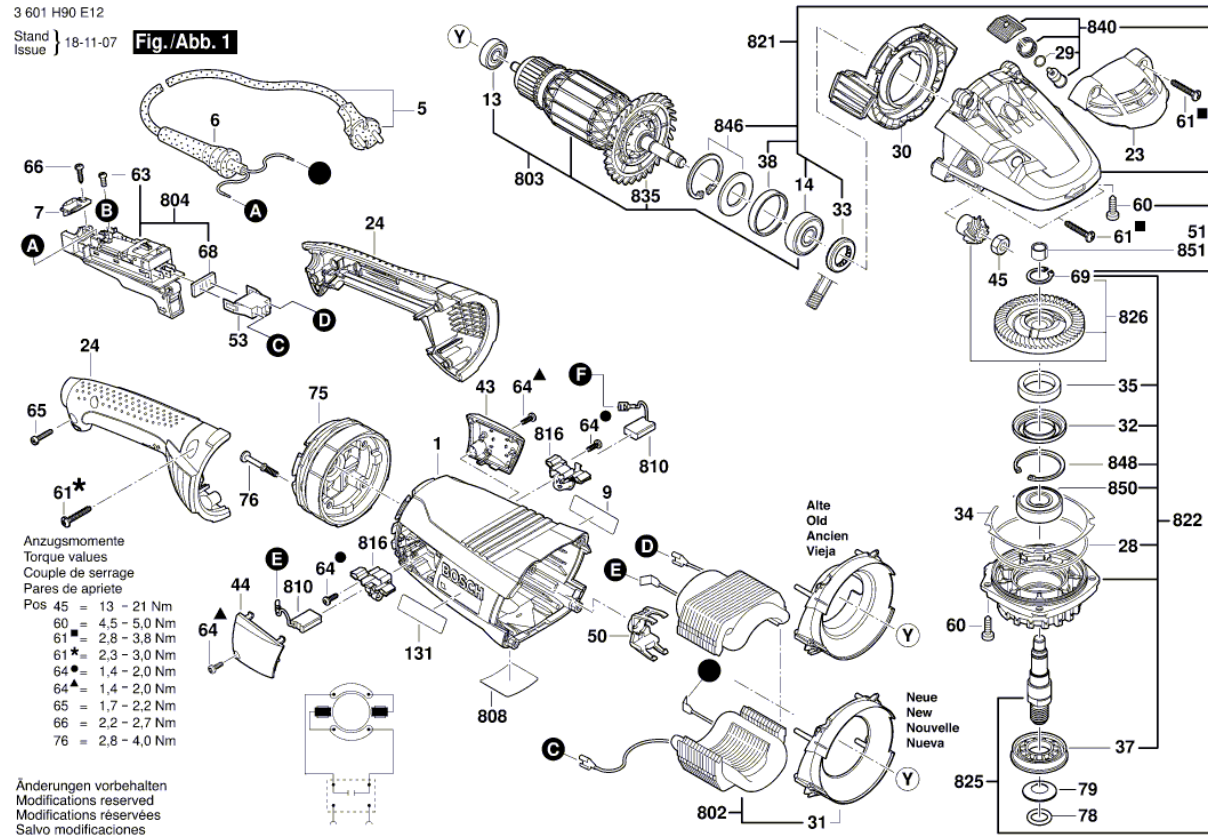
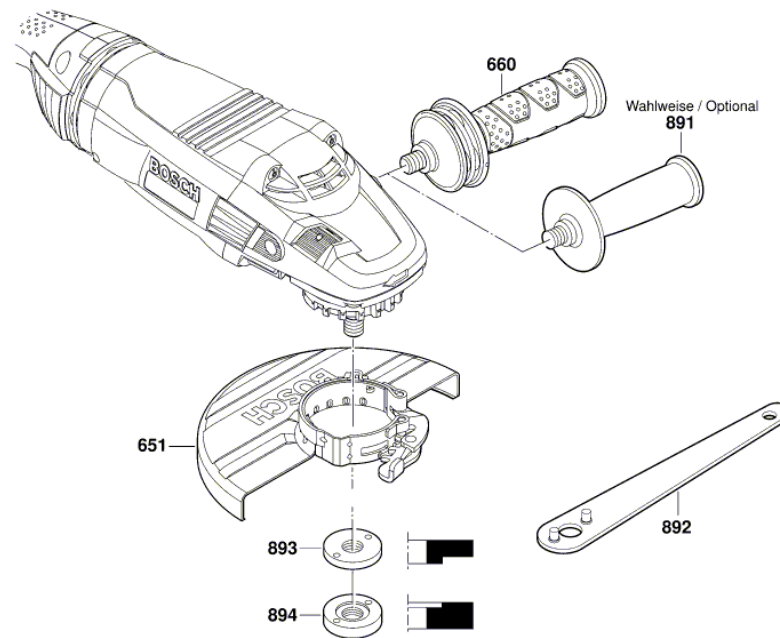


Illustration - Type - E

3 601 H90 E12
Stand | 22-10
Issue | 23-07-24 **Fig./Abb. 2**



Änderungen vorbehalten
Modifications reserved
Modifications réservées
Salvo modificaciones